



Flight LT - **CR0812LB -** **-032740 - No**
80x25 - **A70GL**
 (Family) (Model) (Part #) (In Stock)



Electrical Specifications

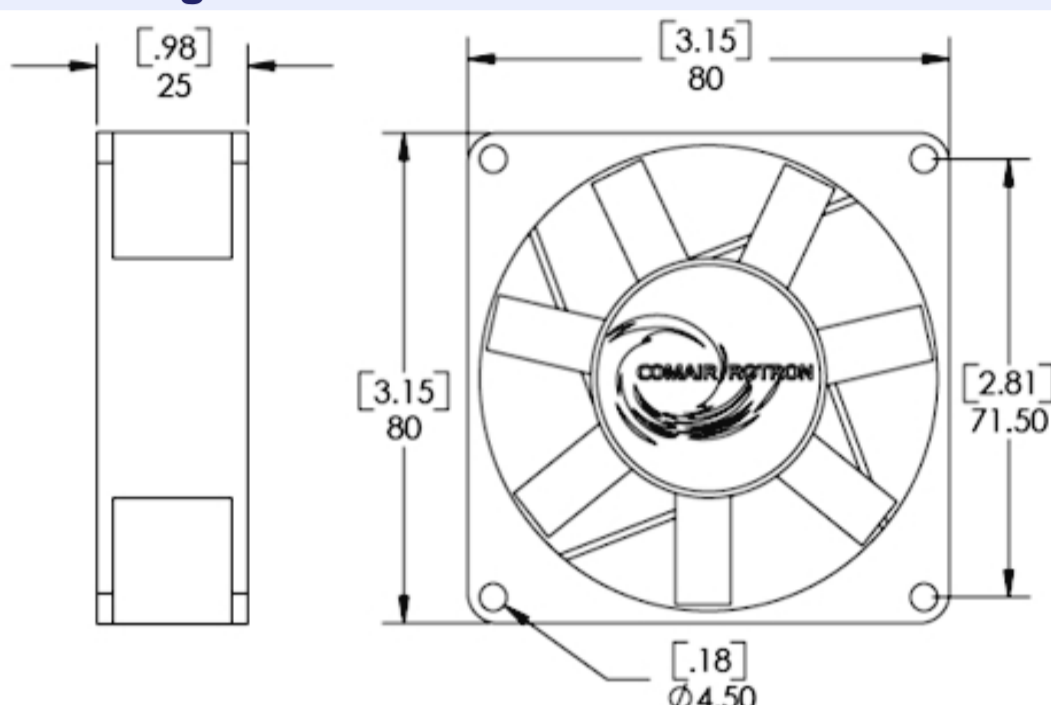
Operating Voltage:	12 Volts
Voltage Range:	10.8 - 13.2 Volts
Power Supply:	1.4 Watts
Line Current:	0.12 Amps
Locked Rotor Current:	0.12 Amps
Nominal Speed:	2030 RPM

Mechanical Specifications

Dimensions:	3.1 x 3.1 x 1.0 in
Weight:	3.0 oz
Max Airflow @ 0 in H ₂ O:	26.0 CFM
Max Pressure @ 0 CFM:	0.077 in H ₂ O
Noise:	15.0 dBA



Mechanical Drawing



Comair Rotron, Inc. Phone: 858.348.6200 FAX: 858.566.4577 sales@comairrotron.com	ThermaFlo, Inc. Phone: 972.312.8609 FAX: 972.312.8617 info@thermaflo.com	Comair Rotron Europe, Ltd. Phone: +44.1527.520525 FAX: +44.1527.520565 saleseurope@comairrotron.com	Comair Rotron Fan Company Ltd. Phone: +86.21.52260581 FAX: +86.21.52260597 salesasia@comairrotron.com
-------------------------------------------------------------------------------------------	-----------------------------------------------------------------------------------	--------------------------------------------------------------------------------------------------------------	----------------------------------------------------------------------------------------------------------------

Print Date: Saturday, August 18, 2007 at 23:45:19 - DC Fan Datasheet - Web Version 1.0 Rev. B



Fan Performance Curve

Fan Configuration Options

Flight LT 80x25 (Family) **CR0812LB -A70GL** (Model) / **032740** (Part #) **No** (In Stock)

Fan Speed:	2030 RPM	Fan Bearings:	Ball Bearings
Fan Airflow Direction:	Flow R (CCW Rotation)	Fan Termination:	Leads

Fan Monitoring Options: No Fan Monitoring Options Selected

Fan Speed Control Option: No ThermaPro -V Fan Speed Control Options Selected

Environmental Protection Options: No Enviroshield Options Selected

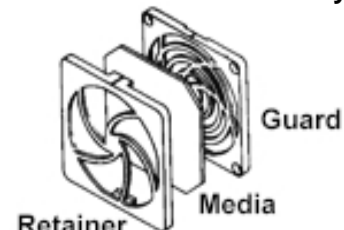
Comair Rotron, Inc. Phone: 858.348.6200 FAX: 858.566.4577 sales@comairrotron.com	ThermaFlo, Inc. Phone: 972.312.8609 FAX: 972.312.8617 info@thermaflo.com	Comair Rotron Europe, Ltd. Phone: +44.1527.520525 FAX: +44.1527.520565 saleseurope@comairrotron.com	Comair Rotron Fan Company Ltd. Phone: +86.21.52260581 FAX: +86.21.52260597 salesasia@comairrotron.com
-------------------------------------------------------------------------------------------	-----------------------------------------------------------------------------------	--------------------------------------------------------------------------------------------------------------	----------------------------------------------------------------------------------------------------------------

Print Date: Saturday, August 18, 2007 at 23:45:19 - DC Fan Datasheet - Web Version 1.0 Rev. B

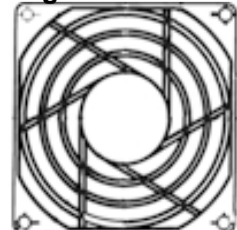


Accessories (Click on part number for detailed drawing.)

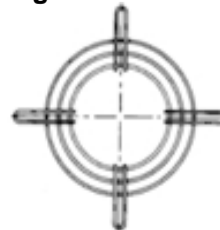
554141 Filter Guard Assembly



550648 Finger Guard



476143 Finger Guard



Comair Rotron, Inc. Phone: 858.348.6200 FAX: 858.566.4577 sales@comairrotron.com	ThermaFlo, Inc. Phone: 972.312.8609 FAX: 972.312.8617 info@thermaflo.com	Comair Rotron Europe, Ltd. Phone: +44.1527.520525 FAX: +44.1527.520565 saleseurope@comairrotron.com	Comair Rotron Fan Company Ltd. Phone: +86.21.52260581 FAX: +86.21.52260597 salesasia@comairrotron.com
-------------------------------------------------------------------------------------------	-----------------------------------------------------------------------------------	--------------------------------------------------------------------------------------------------------------	----------------------------------------------------------------------------------------------------------------

Print Date: Saturday, August 18, 2007 at 23:45:19 - DC Fan Datasheet - Web Version 1.0 Rev. B