



**Flight LT - CR0612HB - -032955 - No**  
**60x15 - D73GL**  
 (Family) (Model) (Part #) (In Stock)



### Electrical Specifications

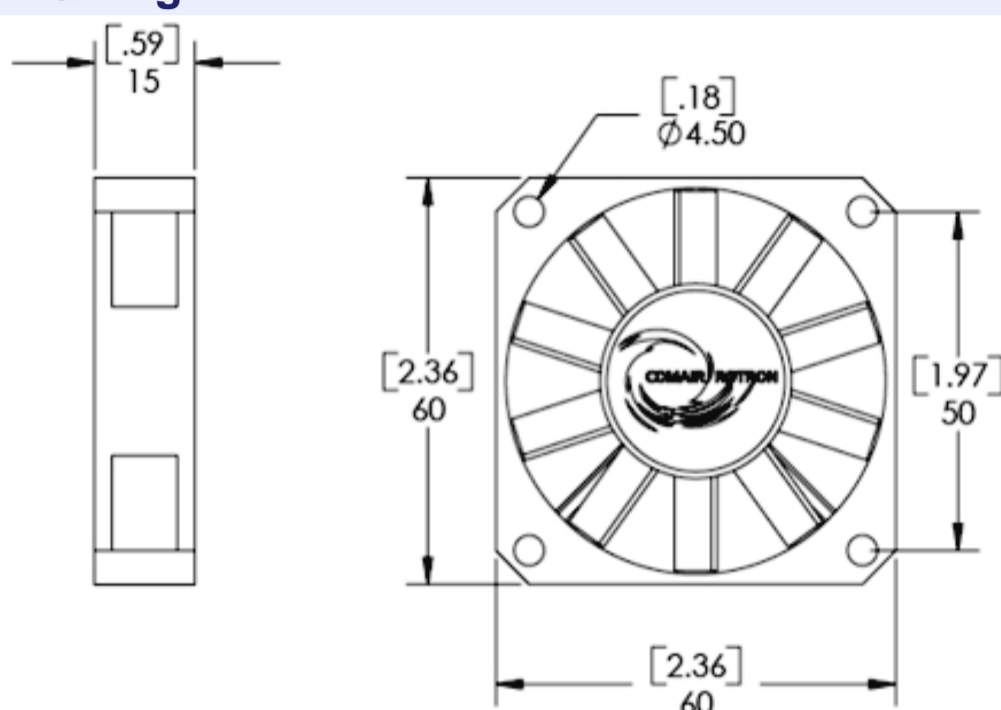
Operating Voltage:	12 Volts
Voltage Range:	10.8 - 13.2 Volts
Power Supply:	1.6 Watts
Line Current:	0.13 Amps
Locked Rotor Current:	0.13 Amps
Nominal Speed:	4500 RPM

### Mechanical Specifications

Dimensions:	2.4 x 2.4 x 0.6 in
Weight:	1.3 oz
Max Airflow @ 0 in H <sub>2</sub> O:	16.6 CFM
Max Pressure @ 0 CFM:	0.150 in H <sub>2</sub> O
Noise:	32.4 dBA



### Mechanical Drawing



<b>Comair Rotron, Inc.</b> Phone: 858.348.6200 FAX: 858.566.4577 sales@comairrotron.com	<b>ThermaFlo, Inc.</b> Phone: 972.312.8609 FAX: 972.312.8617 info@thermaflo.com	<b>Comair Rotron Europe, Ltd.</b> Phone: +44.1527.520525 FAX: +44.1527.520565 saleseurope@comairrotron.com	<b>Comair Rotron Fan Company Ltd.</b> Phone: +86.21.52260581 FAX: +86.21.52260597 salesasia@comairrotron.com
--	--	---	---

Print Date: Saturday, August 18, 2007 at 23:54:10 - DC Fan Datasheet - Web Version 1.0 Rev. B



### Fan Performance Curve

### Fan Configuration Options

**Flight LT 60x15** (Family) / **CR0612HB -D73GL** (Model) / **032955** (Part #) / **No** (In Stock)

Fan Speed:	4500 RPM	Fan Bearings:	Ball Bearings
Fan Airflow Direction:	Flow R (CCW Rotation)	Fan Termination:	Leads

Fan Monitoring Options: Open Collector Tachometer Output

Fan Speed Control Option: No ThermaPro -V Fan Speed Control Options Selected

Environmental Protection Options: No Enviroshield Options Selected

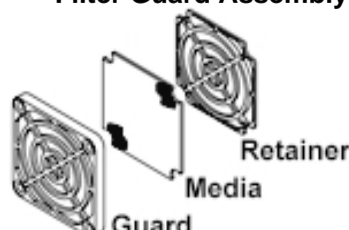
<b>Comair Rotron, Inc.</b> Phone: 858.348.6200 FAX: 858.566.4577 sales@comairrotron.com	<b>ThermaFlo, Inc.</b> Phone: 972.312.8609 FAX: 972.312.8617 info@thermaflo.com	<b>Comair Rotron Europe, Ltd.</b> Phone: +44.1527.520525 FAX: +44.1527.520565 saleseurope@comairrotron.com	<b>Comair Rotron Fan Company Ltd.</b> Phone: +86.21.52260581 FAX: +86.21.52260597 salesasia@comairrotron.com
--	--	---	---

Print Date: Saturday, August 18, 2007 at 23:54:10 - DC Fan Datasheet - Web Version 1.0 Rev. B



### Accessories (Click on part number for detailed drawing.)

557239 Filter Guard Assembly



572621 Finger Guard



<b>Comair Rotron, Inc.</b> Phone: 858.348.6200 FAX: 858.566.4577 sales@comairrotron.com	<b>ThermaFlo, Inc.</b> Phone: 972.312.8609 FAX: 972.312.8617 info@thermaflo.com	<b>Comair Rotron Europe, Ltd.</b> Phone: +44.1527.520525 FAX: +44.1527.520565 saleseurope@comairrotron.com	<b>Comair Rotron Fan Company Ltd.</b> Phone: +86.21.52260581 FAX: +86.21.52260597 salesasia@comairrotron.com
--	--	---	---

Print Date: Saturday, August 18, 2007 at 23:54:10 - DC Fan Datasheet - Web Version 1.0 Rev. B