



**Flight LT - CR0412LB - -032626 - Yes**  
**40x20 - C50**  
 (Family) (Model) (Part #) (In Stock)



### Electrical Specifications

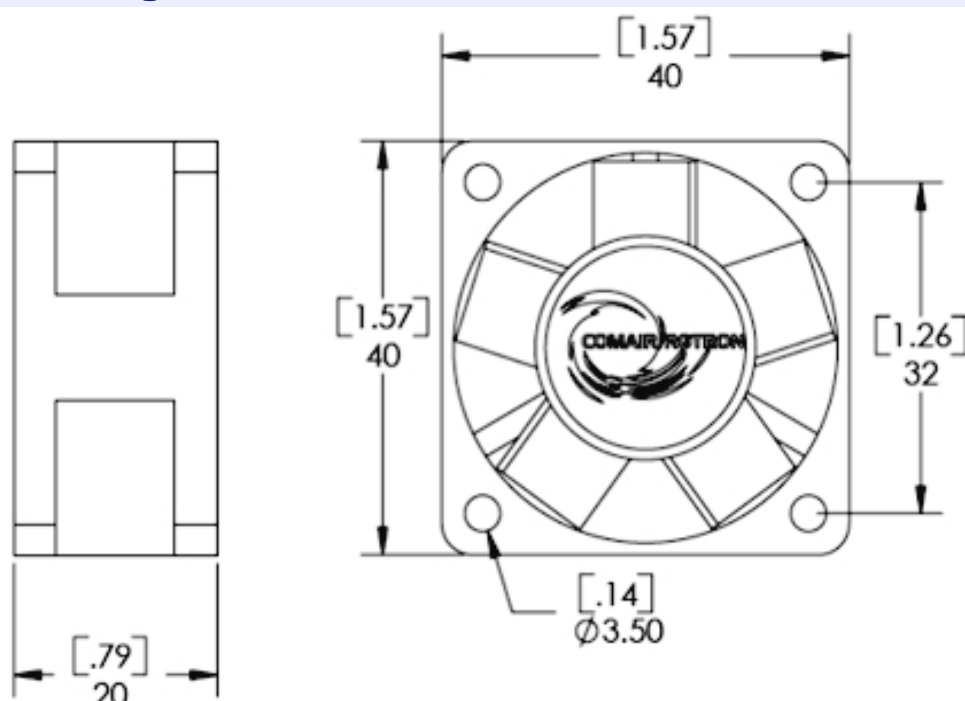
|                      |                   |
|----------------------|-------------------|
| Operating Voltage:   | 12 Volts          |
| Voltage Range:       | 10.8 - 13.2 Volts |
| Power Supply:        | 0.8 Watts         |
| Line Current:        | 0.07 Amps         |
| Locked Rotor Current | 0.07 Amps         |
| Nominal Speed:       | 6000 RPM          |

### Mechanical Specifications

|                                     |                           |
|-------------------------------------|---------------------------|
| Dimensions:                         | 1.6 x 1.6 x 0.8 in        |
| Weight                              | 1.2 oz                    |
| Max Airflow @ 0 in H <sub>2</sub> O | 7.5 CFM                   |
| Max Pressure @ 0 CFM                | 0.160 in H <sub>2</sub> O |
| Noise                               | 25.0 dBA                  |



### Mechanical Drawing



|  |  |   |   |
|--|--|---|---|
| <b>Comair Rotron, Inc.</b><br>Phone: 858.348.6200<br>FAX: 858.566.4577<br>sales@comairrotron.com | <b>ThermaFlo, Inc.</b><br>Phone: 972.312.8609<br>FAX: 972.312.8617<br>info@thermaflo.com | <b>Comair Rotron Europe, Ltd.</b><br>Phone: +44.1527.520525<br>FAX: +44.1527.520565<br>saleseurope@comairrotron.com | <b>Comair Rotron Fan Company Ltd.</b><br>Phone: +86.21.52260581<br>FAX: +86.21.52260597<br>salesasia@comairrotron.com |
|--|--|---|---|

Print Date: Saturday, August 18, 2007 at 23:52:00 - DC Fan Datasheet - Web Version 1.0 Rev. B



### Fan Performance Curve

### Fan Configuration Options

**Flight LT 40x20** / **CR0412LB - C50** / **032626** / **Yes**  
 (Family) (Model) (Part #) (In Stock)

|                        |                       |                  |               |
|------------------------|-----------------------|------------------|---------------|
| Fan Speed:             | 6000 RPM              | Fan Bearings:    | Ball Bearings |
| Fan Airflow Direction: | Flow R (CCW Rotation) | Fan Termination: | Leads         |

Fan Monitoring Options: No Fan Monitoring Options Selected

Fan Speed Control Option: No ThermaPro - V Fan Speed Control Options Selected

Environmental Protection Options: No Enviroshield Options Selected

|  |  |   |   |
|--|--|---|---|
| <b>Comair Rotron, Inc.</b><br>Phone: 858.348.6200<br>FAX: 858.566.4577<br>sales@comairrotron.com | <b>ThermaFlo, Inc.</b><br>Phone: 972.312.8609<br>FAX: 972.312.8617<br>info@thermaflo.com | <b>Comair Rotron Europe, Ltd.</b><br>Phone: +44.1527.520525<br>FAX: +44.1527.520565<br>saleseurope@comairrotron.com | <b>Comair Rotron Fan Company Ltd.</b><br>Phone: +86.21.52260581<br>FAX: +86.21.52260597<br>salesasia@comairrotron.com |
|--|--|---|---|

Print Date: Saturday, August 18, 2007 at 23:52:00 - DC Fan Datasheet - Web Version 1.0 Rev. B



|  |  |   |   |
|--|--|---|---|
| <b>Comair Rotron, Inc.</b><br>Phone: 858.348.6200<br>FAX: 858.566.4577<br>sales@comairrotron.com | <b>ThermaFlo, Inc.</b><br>Phone: 972.312.8609<br>FAX: 972.312.8617<br>info@thermaflo.com | <b>Comair Rotron Europe, Ltd.</b><br>Phone: +44.1527.520525<br>FAX: +44.1527.520565<br>saleseurope@comairrotron.com | <b>Comair Rotron Fan Company Ltd.</b><br>Phone: +86.21.52260581<br>FAX: +86.21.52260597<br>salesasia@comairrotron.com |
|--|--|---|---|

Print Date: Saturday, August 18, 2007 at 23:52:00 - DC Fan Datasheet - Web Version 1.0 Rev. B