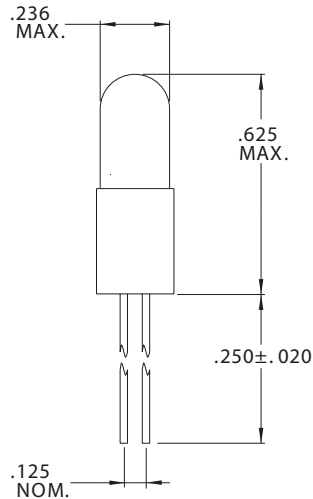


## T-1 3/4 Bi-Pin Base (.125")



Part Number	Design Voltage	Amps	MSCP	Life Hours	Filament Type
CM2301	1.35	.060	.020	500	S-2
CM7931	1.35	.060	.010	500	C-2R
CM2302	2.50	.200	.200	500	C-2R
CM7868	2.50	.350	.210	10,000	C-2R
CM7968	2.50	.200	.200	500	C-2R
CM2303	2.70	.060	.040	500	C-2R
CM7838	2.70	.060	.040	6,000	C-2R
CM2304	3.00	.300	.340	1,500	C-2R
CM7375	3.00	.015	.004	10,000	C-6
CM7847	3.00	.350	.300	10,000	C-2R
CM7359	4.50	.120	.050	25,000	C-2R
CM3149	5.00	.060	.150	5,000	C-2R
CM7360	5.00	.060	.030	60,000	C-2R
CM7361	5.00	.060	.050	25,000	C-2R
CM7362	5.00	.115	.150	40,000	C-2R
CM7363	5.00	.190	.450	1,000	C-2R
CM7366	5.00	.200	.340	15,000	C-2R
CM2305	6.00	.040	.050	1,000	C-6
CM2306	6.00	.200	.600	1,000	C-2R
CM2323	6.00	.200	.600	1,000	C-2R
CM7328	6.00	.200	.600	1,000	C-2R
CM7364	6.00	.200	.100	50,000	C-2F
CM7945	6.00	.040	.030	10,000	C-2R
CM2307	6.30	.200	.340	5,000	C-2R
CM2319	6.30	.200	.400	2,000	C-2F
CM2334	6.30	.075	.250	1,000	C-2R
CM2337	6.30	.200	.400	20,000	C-2R
CM7349	6.30	.200	.550	5,000	C-2R
CM7368	6.30	.150	.450	3,000	C-2R
CM7377	6.30	.075	.230	1,000	C-2R
CM7380	6.30	.040	.020	20,000	C-2V
CM7381	6.30	.200	.400	20,000	C-2F
CM2308	10.0	.015	.010	5,000	C-2F
CM2309	10.0	.040	.050	5,000	C-2R
CM7344	10.0	.014	.002	50,000	C-2F
CM7367	10.0	.040	.080	5,000	C-2F
CM7369	11.0	.022	.030	10,000	C-2F
CM7174	12.0	.040	.120	5,000	C-2V
CM7371	12.0	.040	.120	10,000	C-2F
CM2310	14.0	.080	.500	750	C-2F