

Instructions

47-130-IRKIT

Media Box IR Repeater



Display

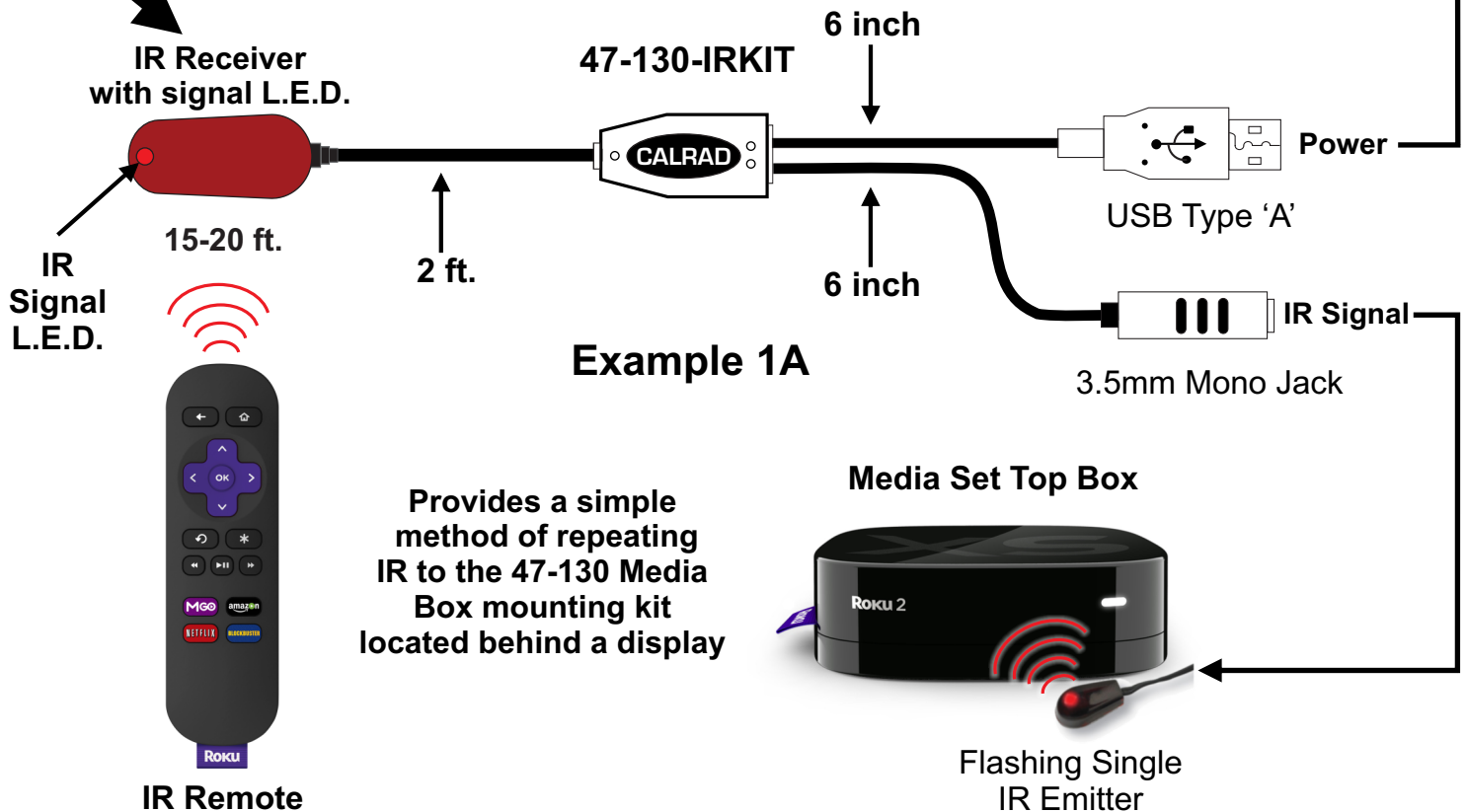


Note: works only with displays that have builtin USB ports, otherwise use a Calrad 42-AC-2 power adapter.



Optional
Calrad
42-AC-2

To USB Port



Attach the IR receiver to the front of your display using the supplied double stick tape and use velcro or cable ties to route the cable to the back of the display. Connect the USB Plug to any available USB jack and turn the displays power on, this will provide power to the 47-130-IRKIT. Connect the IR emitter to 3.5mm jack, locate and place the IR emitter over the IR window and apply it to the media set top box. **(Testing)** 1. Look at the the IR receiver L.E.D. it should be green, 2. Point the remote towards the IR receiver, the red L.E.D. indicator will flash indicating a signal is being received, the IR emitters will also flash indicating it is re-transmitting the IR signal. . Check the streaming media device to confirm the IR commands are actually working. **(Troubleshooting)** 1. No IR signal is detected by the IR receiver, emitter does not flash: **A.** check the remotes batteries, **B.** Verify the USB, IR emitter connectors are secure, **C.** Try another USB port, make sure the display has power and is turned on.

SPECIFICATIONS:

- IR Receiver:** 38Khz, 56Khz
- Receiver Distance:** 15-20ft average, depends on the remotes IR output power
- USB Power:** 5Vdc
- Receiver size:** L-.92" x W-.79" x H-.68"
- Cable Length:** 2 ft. from 'Y' 6 Inches to connectors
- Kit Includes:** 1x IR receiver with USB type 'A' plug, 3.5mm IR jack, 1 x single emitter. Double stick tape for IR receiver.

Cal-47-130-IRKIT-5152015-WB
www.calrad.com