

40-936B

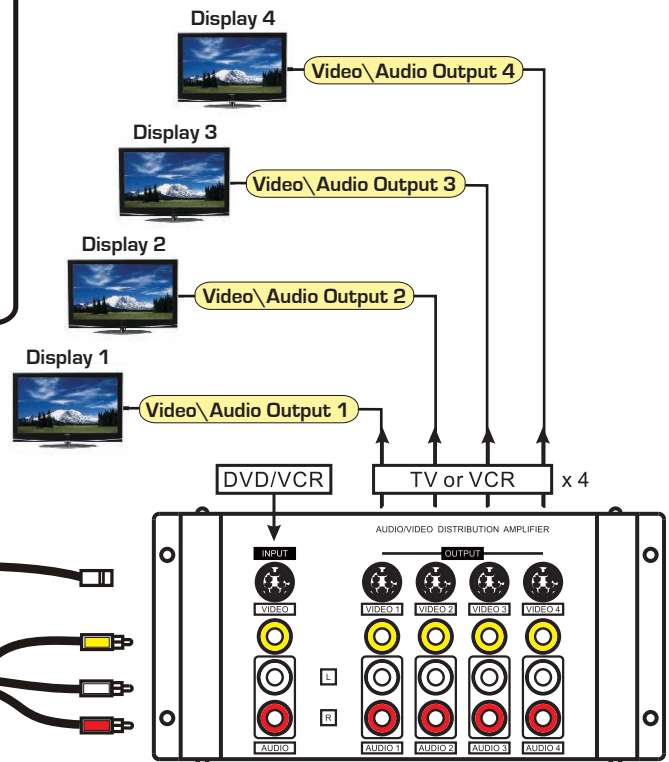
1 X 4 AUDIO/VIDEO

DISTRIBUTION AMPLIFIER

.....®
CALRAD
ELECTRONICS
 819 N. Highland Ave.
 Los Angeles, CA 90038
 Tel (323) 465-2131, Fax (323) 465-3504
 Visit us on the web at www.calrad.com

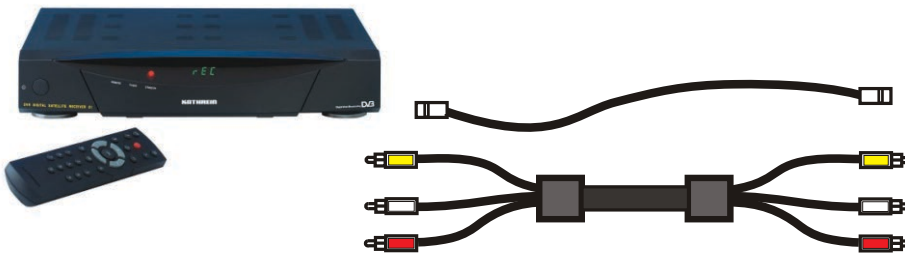


Example Diagram:



Source

DVD/VCR



The Audio/Video Distribution Amplifier let you split the video and stereo audio output signals from a DVD, VCR or other video sources without signal loss. You can send the video and stereo audio signals to as many as four other TVs or VCRs. You can also maintain picture quality when driving up to four TV monitors from a computer equipped with separate audio and video output [composite video] jacks. Or, you can make up to four copies of your favorite camcorder tapes at the same time.

SPECIFICATIONS:

Inputs:

- 1 x S- Video
- 1 x RCA Composite Video
- 1 x Stereo Audio (Left + Right)

Outputs:

- 4 x S- Video
- 4 x RCA Composite Video
- 4 x Stereo Audio (Left + Right)
- High quality metal finish
- 12VDC @ 200mA power input (power supply included)
- Mounting screws included
- 190 (W) x 25 (H) x 90 (D) mm

OPERATION:

Check to be sure that all connections are secure before you use the amplifier.

Follow these steps to use the amplifier.

1. Insert the 12VDC power plug to the amplifier's power socket, then plug the adapter in the AC outlet.
2. Turn on the AV components you want to operate.
3. Use the AV component's controls to operate it as usual.