

C&K E020 Series Sealed Snap-acting Momentary Pushbutton Switches



Features/Benefits

- Process sealed with disposable splashproof boot
- Long life contact design
- Snap-fitting plunger available
- RoHS compliant models available

Typical Applications

- Instrumentation
- Telecommunications and networking equipment
- Computers and peripherals



Specifications

CONTACT RATING: B contact material (EX25 Models): 0.4 VA max. @ 20 V AC or DC max. G contact material (EX21 Models): 1 AMP @120 V AC or 28 V DC or 0.4 VA max. @ 20 V AC or DC max.
Note: Break-before-make contacts. Multi-pole contacts do not make and break simultaneously. See page A-24 for additional ratings.

ELECTRICAL LIFE: 60,000 make-and-break cycles at full load.

CONTACT RESISTANCE: Below 50 mΩ typ. initial @ 2-4 V DC, 100 mA, for both silver and gold plated contacts.

INSULATION RESISTANCE: 10⁹Ω min.

DIELECTRIC STRENGTH: 1000 Vrms min. @ sea level.

OPERATING TEMPERATURE: -30°C to 75°C.

CAP INSTALLATION FORCE: 10 lbs. max. permissible.

SOLDERABILITY: Per MIL-STD-202F method 208D, or EIA RS-186E method 9 (1 hour steam aging).

NOTE: Any models supplied with P, R, B or G contact material are RoHS compliant. For the latest information regarding RoHS compliance, please go to: www.ittcannon.com/rohs.

NOTE: Specifications and materials listed above are for switches with standard options. For information on specific and custom switches consult Customer Service Center.

Materials

CASE & BUSHING: Glass filled nylon 6/6, flame retardant (UL 94V-0).

PLUNGER: Glass filled nylon or glass filled polyester (PBT) (UL 94V-0).

SWITCH SUPPORT: Brass or steel, matte-tin.

SWITCH SUPPORT RETAINER: Stainless steel.

N.O. & N.C. CONTACTS: EX25 MODELS: B contact material: Copper alloy, with gold plate over nickel plate. EX21 MODELS: G contact material: Coin silver, with gold plate over nickel plate. See page A-28 for additional contact materials.

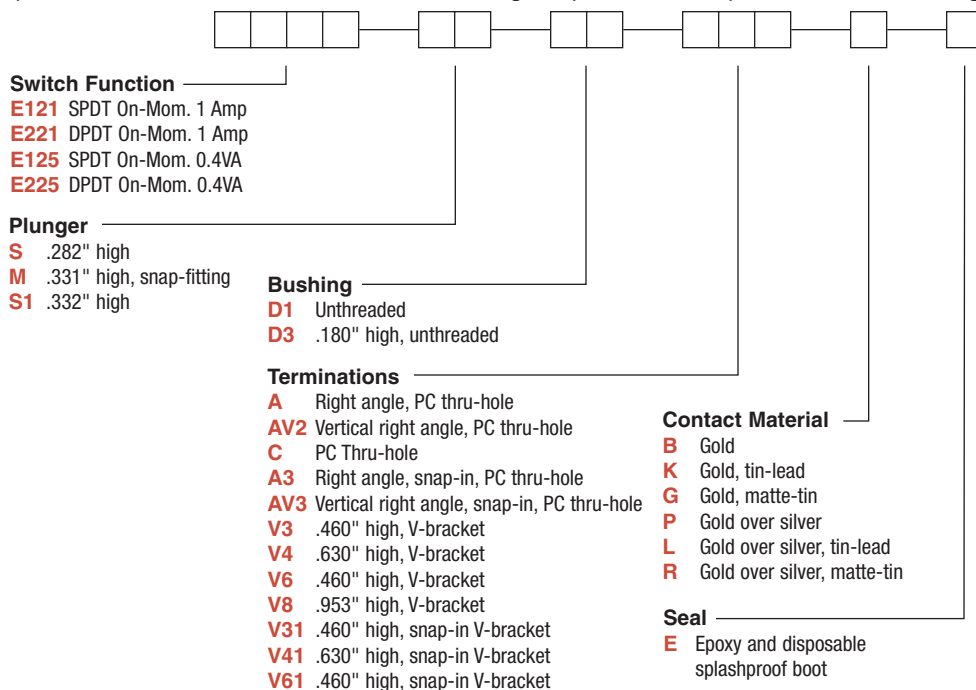
COMMON CONTACTS & ALL TERMINALS: Copper alloy, with gold plate over nickel plate. See page A-24 for additional contact materials.

TERMINAL SEAL: Epoxy.

DISPOSABLE BOOT: Vinyl splashproof boot supplied standard. Remove and discard only after soldering and cleaning processes are complete.

Build-A-Switch

To order, simply select desired option from each category and place in the appropriate box. Available options are shown and described on pages A-20 thru A-26. For additional options not shown in catalog, consult our Customer Service Center. All models are process sealed to withstand machine soldering temperatures and pressure wash cleaning methods.



Dimensions are shown: Inches (mm)
Specifications and dimensions subject to change



C&K E020 Series Sealed Snap-acting Momentary Pushbutton Switches

SWITCH FUNCTION

Pushbutton

NO. POLES	MODEL NO.	SWITCH FUNCTION		CONNECTED TERMINALS		SCHEMATIC
		POS. 1 C&K marking this side	POS. 2 C&K marking this side	POS. 1 C&K marking this side	POS. 2 C&K marking this side	
SP	E121	ON	MOM.	1-3	1-2	 SPDT
	E125	ON	MOM.			
SPDT <p>Part number shown: E121SD1CGE</p>						
DP	E221	ON	MOM.	1-3,4-6	1-2,4-5	 DPDT
	E225	ON	MOM.			
DPDT <p>Part number shown: E221SD1CBE</p>						

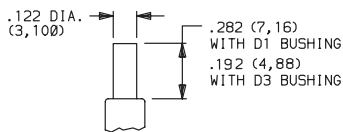
MOM. = Momentary

E121, E221 models with all options when ordered with G, L or R contact material.

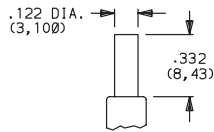
EX25 models must be ordered with B, K or P contact material.
EX21 models must be ordered with G, L or R contact material.

PLUNGER

S .282" HIGH

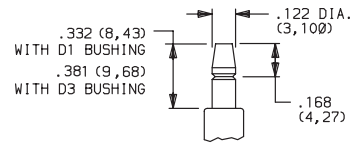


S1 .332" HIGH



Not Available with D1 bushing.

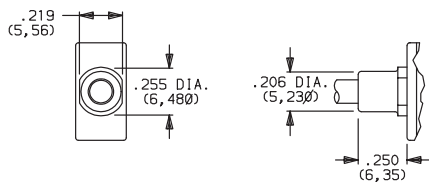
M .332" HIGH SNAP-FITTING



NOTE: Caps available for all plunger options, see page A-25.

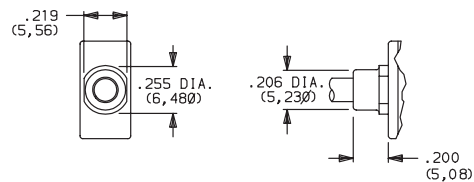
BUSHING

D1 UNTHREADED

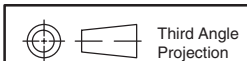


Not available with S1 actuator.

D3 .180" HIGH UNTHREADED



NOTE: Disposable splashproof vinyl over actuator and bushing supplied std., see page A-24.



Dimensions are shown: Inches (mm)
Specifications and dimensions subject to change



C&K E020 Series Sealed Snap-acting Momentary Pushbutton Switches

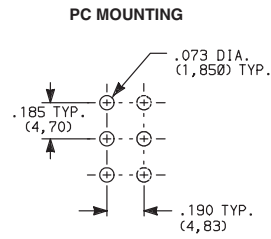
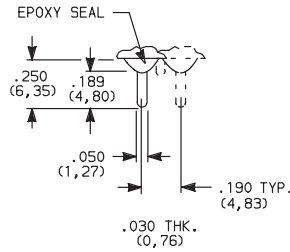


A
Pushbutton

TERMINATIONS

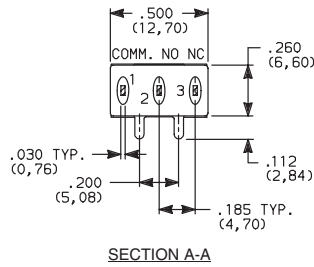
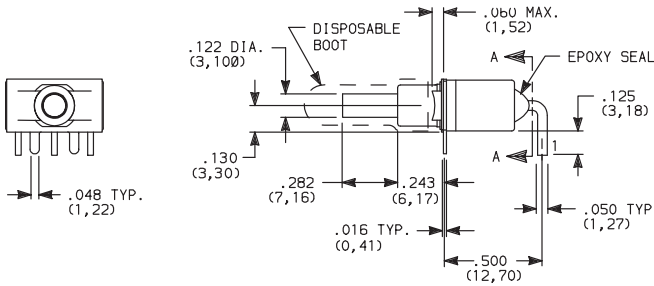


C PC THRU-HOLE



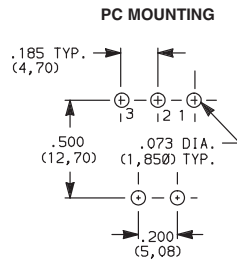
SPDT and DPDT

A RIGHT ANGLE, PC THRU-HOLE



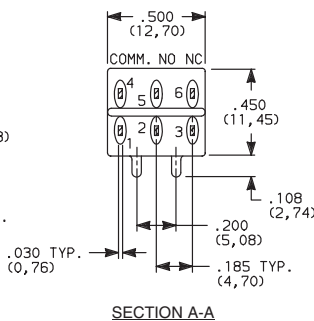
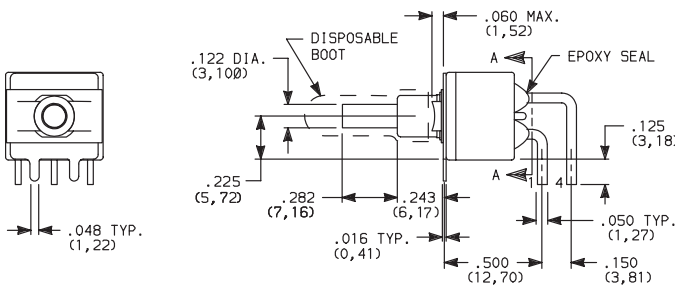
E121SD1AGE
SPDT

A3 RIGHT ANGLE, SNAP-IN, PC THRU-HOLE



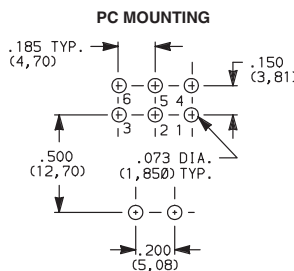
NOTE: Terminal bend radii and lead-in manufacturing option.

A RIGHT ANGLE, PC THRU-HOLE

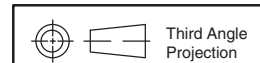


E221SD1AGE
DPDT

A3 RIGHT ANGLE, SNAP-IN, PC THRU-HOLE



NOTE: Terminal bend radii and lead-in manufacturing option.



Dimensions are shown: Inches (mm)
Specifications and dimensions subject to change



C&K E020 Series Sealed Snap-acting Momentary Pushbutton Switches

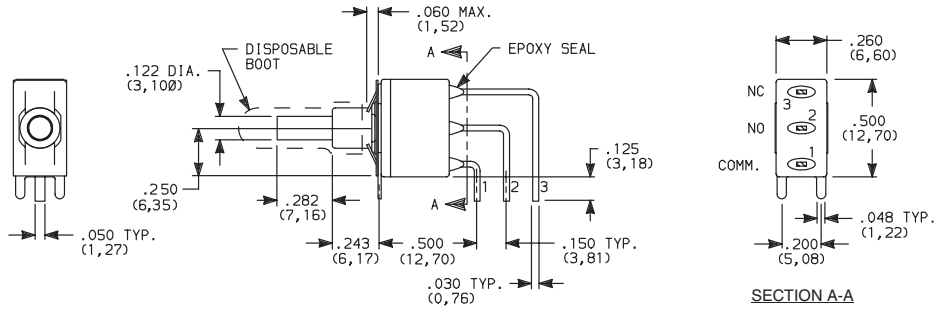
TERMINATIONS

Pushbutton
A

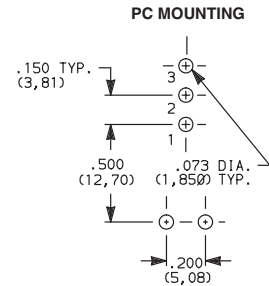
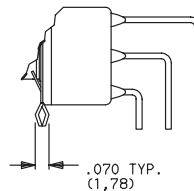
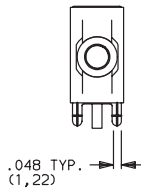
AV2 VERTICAL RIGHT ANGLE, PC THRU-HOLE,
.150" PITCH



**E121SD1AV2GE
SPDT**



AV3 VERTICAL RIGHT ANGLE, SNAP-IN, PC THRU-HOLE,
.150" PITCH

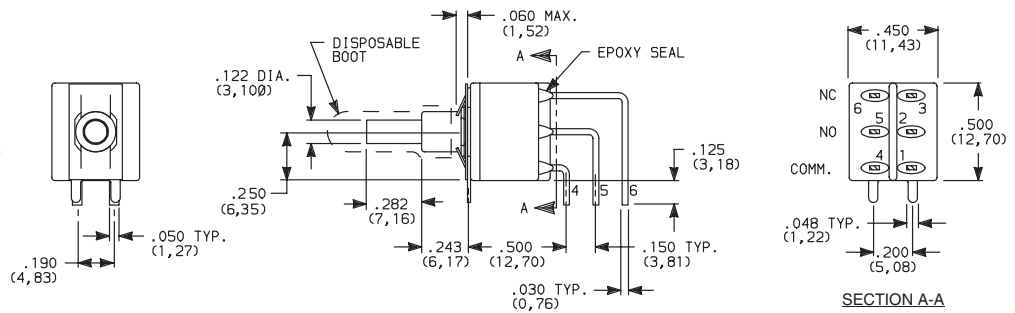


NOTE: Terminal bend radii and lead-in manufacturing option.

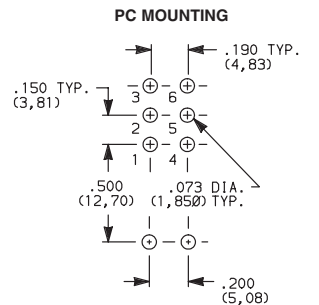
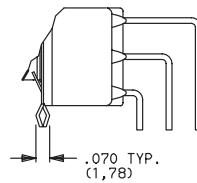
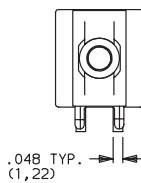
AV2 VERTICAL RIGHT ANGLE, PC THRU-HOLE,
.150" PITCH



**E221SD1AV2GE
DPDT**



AV3 VERTICAL RIGHT ANGLE, SNAP-IN, PC THRU-HOLE,
.150" PITCH



NOTE: Terminal bend radii and lead-in manufacturing option.



Dimensions are shown: Inches (mm)
Specifications and dimensions subject to change

C&K E020 Series Sealed Snap-acting Momentary Pushbutton Switches



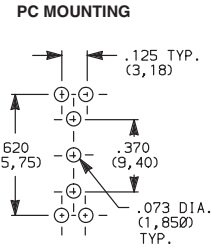
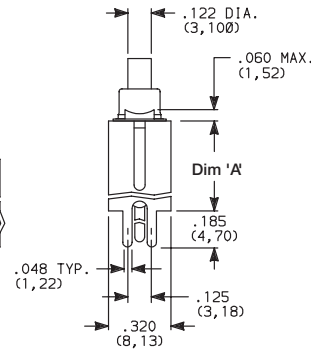
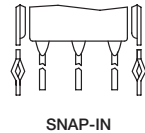
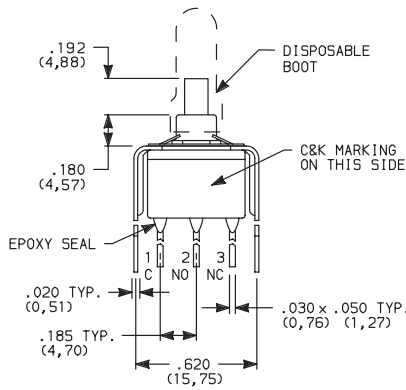
A

Pushbutton

TERMINATIONS

V3, V4 VERTICAL MOUNT, V-BRACKET

V31, V41 VERTICAL MOUNT, V-BRACKET, SNAP-IN

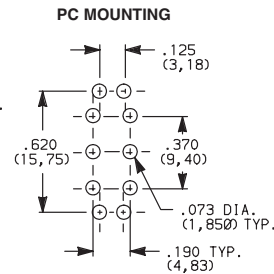
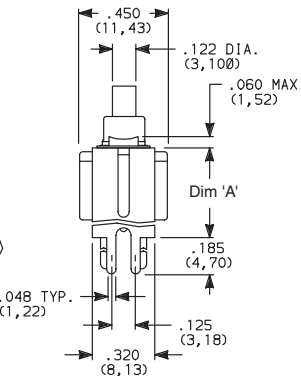
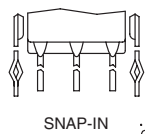
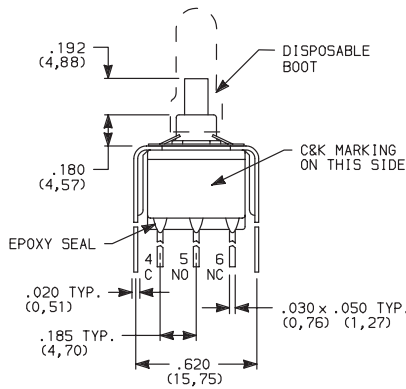


E121SD3_GE SPDT

OPTION CODE	DIM 'A'
V3, V31	.460 (11,68)
V4, V41	.630 (16,00)

V3, V4 VERTICAL MOUNT, V-BRACKET

V31, V41 VERTICAL MOUNT, V-BRACKET, SNAP-IN

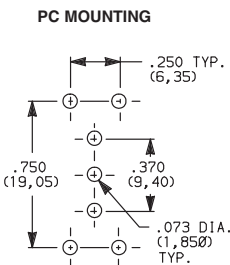
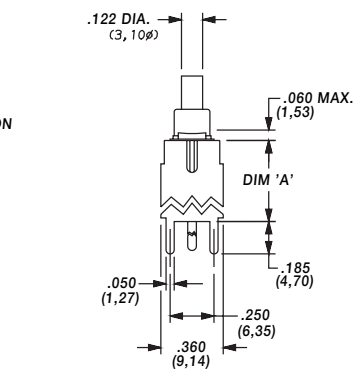
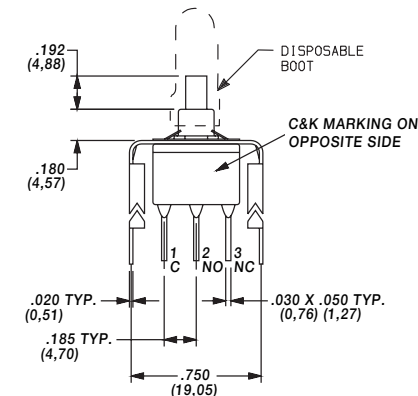


E221SD3_GE DPDT

OPTION CODE	DIM 'A'
V3, V31	.460 (11,68)
V4, V41	.630 (16,00)

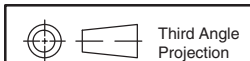
V6, V8 VERTICAL MOUNT, V-BRACKET

V61, V81 VERTICAL MOUNT, V-BRACKET, SNAP-IN



E121SD3V_GE SPDT

OPTION CODE	DIM 'A'
V6, V61	.460 (11,68)
V8, V81	.953 (24,21)



Dimensions are shown: Inches (mm)
Specifications and dimensions subject to change





C&K E020 Series Sealed Snap-acting Momentary Pushbutton Switches

TERMINATIONS

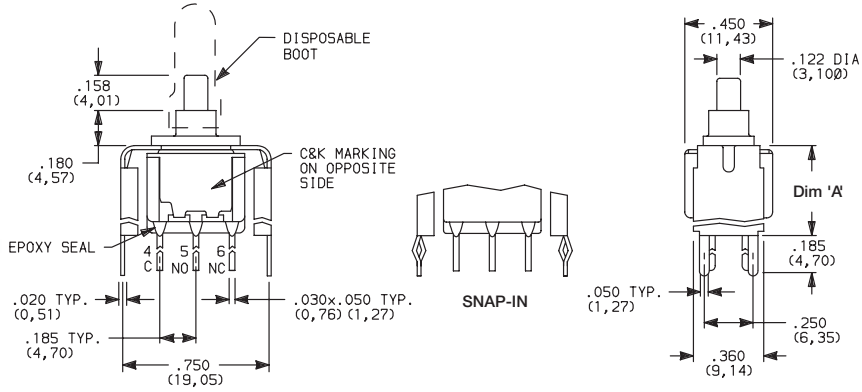
Pushbutton
A

V6, V8 VERTICAL MOUNT, V-BRACKET

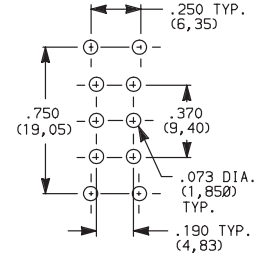
V61, V81 VERTICAL MOUNT, V-BRACKET, SNAP-IN



E221SD3V6GE
DPDT



PC MOUNTING



OPTION CODE	DIM 'A'
V6, V61	.460 (11,68)
V8, V81	.953 (24,21)

CONTACT MATERIAL

OPTION CODE	RoHS COMPLIANT *	RoHS COMPATIBLE *	CONTACT MATERIAL	TERMINAL PLATING	RATINGS	
					LOW LEVEL/DRY CIRCUIT	EX25 MODELS ONLY: 0.4 VA MAX. @ 20 V AC OR DC MAX.
B	YES	YES	GOLD ¹	GOLD ¹	LOW LEVEL/DRY CIRCUIT	EX25 MODELS ONLY: 0.4 VA MAX. @ 20 V AC OR DC MAX.
K	NO	YES		TIN-LEAD ⁴		
P	YES	YES		MATTE-TIN ⁵		
G	YES	YES	GOLD OVER SILVER ^{2,3}	GOLD ³	LOW LEVEL/DRY CIRCUIT OR POWER	EX21 MODELS ONLY: 0.4 VA MAX @ 20 V AC OR DC MAX. OR 1 AMP @ 120 V AC OR 28 V DC.
L	NO	YES		TIN-LEAD ⁴		
R	YES	YES		MATTE-TIN ⁵		

* Note: See Technical Data section of this catalog for RoHS compliant and compatible definitions and specifications.

- ¹ CONTACTS & TERMINALS: Copper alloy, with gold plate over nickel plate.
- ² N.O. AND N.C. CONTACTS: Coin silver, with gold plate over nickel plate.
- ³ COMMON CONTACTS & ALL TERMINALS: Copper alloy, with gold plate over nickel plate.
- ⁴ TERMINALS: Copper alloy, with tin-lead alloy over nickel plate.
- ⁵ TERMINALS: Copper alloy, with matte-tin alloy over nickel plate.

NOTE: Any models supplied with P, R, B or G contact material are RoHS compliant. For the latest information regarding RoHS compliance, please go to: www.ittcannon.com/rohs.

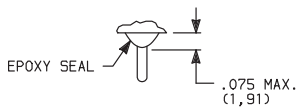
E121, E221 models with all options when ordered with mandatory G, R or L contact material.

P, B or K contact material must be ordered with EX25 models.

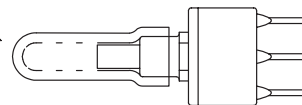
R, G or L contact material must be ordered with EX21 models.

SEAL

E EPOXY SEAL AND DISPOSABLE SPLASHPROOF BOOT



Disposable splashproof boot supplied standard. Remove and discard boot *only after* soldering and cleaning processes are complete.



Dimensions are shown: Inches (mm)
Specifications and dimensions subject to change

C&K E020 Series Sealed Snap-acting Momentary Pushbutton Switches

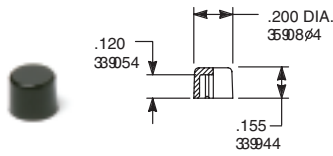


A

Pushbutton

AVAILABLE HARDWARE

Cap

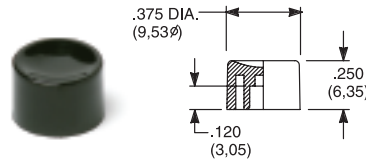


PART NO.

- 708901000** WHITE
- 708902000** BLACK
- 708903000** RED

Material: Nylon
Finish: Gloss

Cap

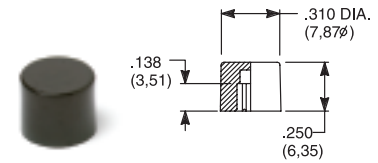


PART NO.

- 752701000** WHITE
- 752702000** BLACK
- 752703000** RED

Material: Nylon
Finish: Gloss

Cap

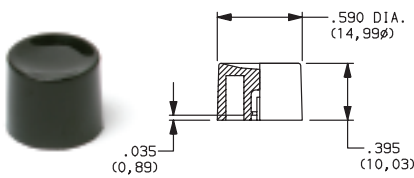


PART NO.

- 801801000** WHITE
- 801802000** BLACK
- 801803000** RED

Material: Nylon
Finish: Gloss

Cap, Snap-fitting plunger

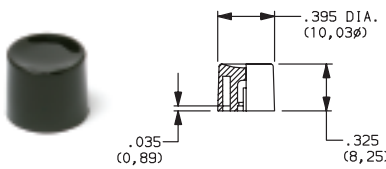


PART NO.

- 894001000** WHITE
- 894002000** BLACK
- 894003000** RED

Material: Nylon
Finish: Gloss

Cap, Snap-fitting plunger

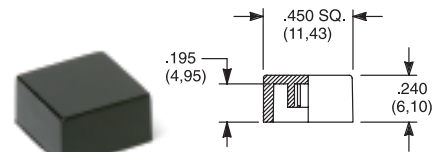


PART NO.

- 894101000** WHITE
- 894102000** BLACK
- 894103000** RED

Material: Nylon
Finish: Gloss

Cap



PART NO.

- 484601000** WHITE
- 484602000** BLACK
- 484603000** RED

Material: Nylon
Finish: Gloss

PART NO.

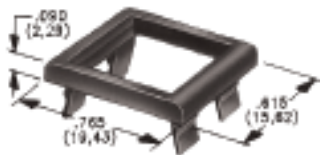
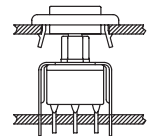
- 798201000** WHITE
- 798202263** BLACK
- 798203000** RED

Material: Nylon
Finish: Matte

NOTE: Other cap colors available—consult Customer Service Center.

Frames snap into panel opening and are independent from switch mounting. Accurate positioning of the PC mounted switch relative to the panel opening is necessary to provide proper clearance between actuator and frame. Available in two basic styles and four panel thicknesses .047-.125 in. Material: Nylon. Finish: Matte.

TYPICAL APPLICATION



.047" (1,19) PANEL THK. .062" (1,57) PANEL THK. .090" (2,29) PANEL THK. .125" (3,18) PANEL THK.

PART NO.

- 432501000**
- 432502263**
- 432503000**

PART NO.

- 432601000**
- 432602263**
- 432603000**

PART NO.

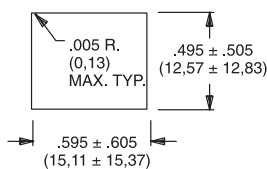
- 432701000**
- 432702263**
- 432703000**

PART NO.

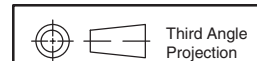
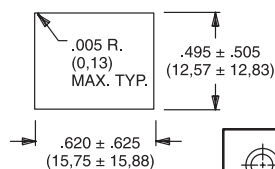
- 432801000** WHITE
- 432802263** BLACK
- 432803000** RED

PANEL MOUNTING

For part numbers 4325xxxxx, 4326xxxxx



For part numbers 4327xxxxx, 4328xxxxx



Dimensions are shown: Inches (mm)
Specifications and dimensions subject to change





C&K E020 Series Sealed Snap-acting Momentary Pushbutton Switches

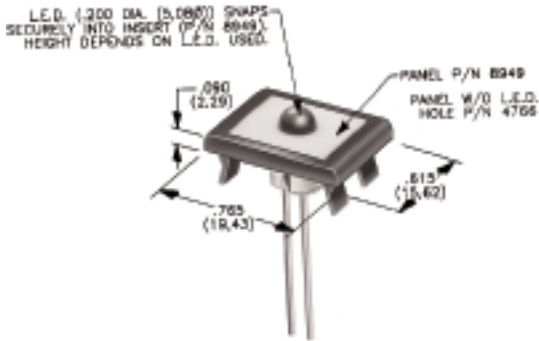
AVAILABLE HARDWARE

A

Pushbutton

PANEL INSERTS

Above frames (part nos. 432XXXXXX) are also available with insert which accepts LED for indicator light assembly. Order insert separately from frame. Blank insert panel (without hole for LED) also available. **LED not included.**



PANEL INSERT
WITH HOLE FOR LED

BLANK PANEL INSERT
WITHOUT HOLE FOR LED

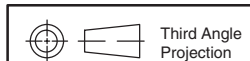
PART NO.

894901000
894902000
894903000

PART NO.

476601000 WHITE
476602000 BLACK
476603000 RED

Special colors, custom markings available, consult Customer Service Center.



Dimensions are shown: Inches (mm)
Specifications and dimensions subject to change