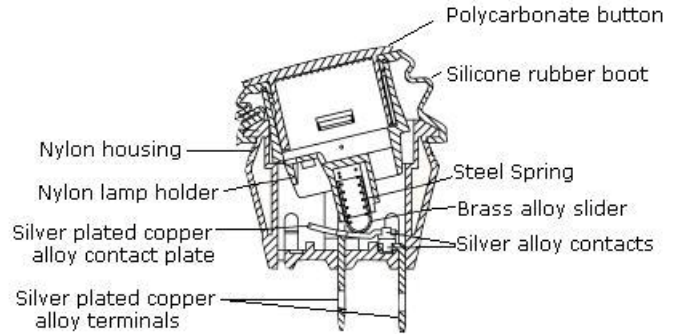


Waterproof Single Pole Round Rocker Switch

KC Series



Features

- Enclosed switch complies to IP56
- Variety of terminal options
- Lighted and non-lighted versions
- Maintained and momentary switch functions

Electrical Ratings

Switch Series	VDC	EN61058 Rating	UL1054 Rating	Electrical Life at Rated Load	
				According to VDE (Min Operations)	According to UL (Min. Operations)
KC	20A 14VDC; 10A 28VDC	10(4) 250V	16A 125VAC 10A 250VAC	10,000	6,000

Electrical Specifications		Material Specifications	
Ratings:	16A 125VAC; 10A 250VAC (cULus) 10(4) 250V (VDE)	Actuator:	Polycarbonate
Dielectric Strength:	1500VAC for 1 minute	Housing:	Nylon 66 94V-2
Insulation Resistance:	10 ⁸ ohms min at 500VDC	Spring:	Stainless Steel Wire
Initial Contact Resistance:	0.050 ohms max	Contacts:	Silver Alloy
Temperature Range:	-25°C to + 85°C	Movable Arm:	Silver plated Copper Alloy
		Terminals:	Silver plated Copper Alloy
		Rubber Boot:	Silicone



RoHS Compliant
UL File No: E23301

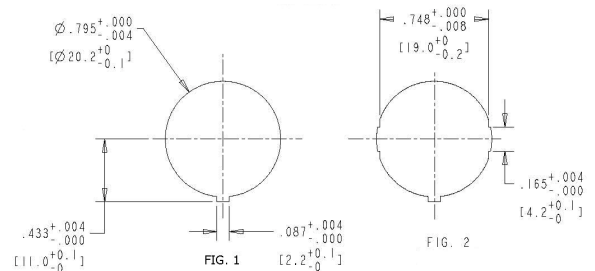
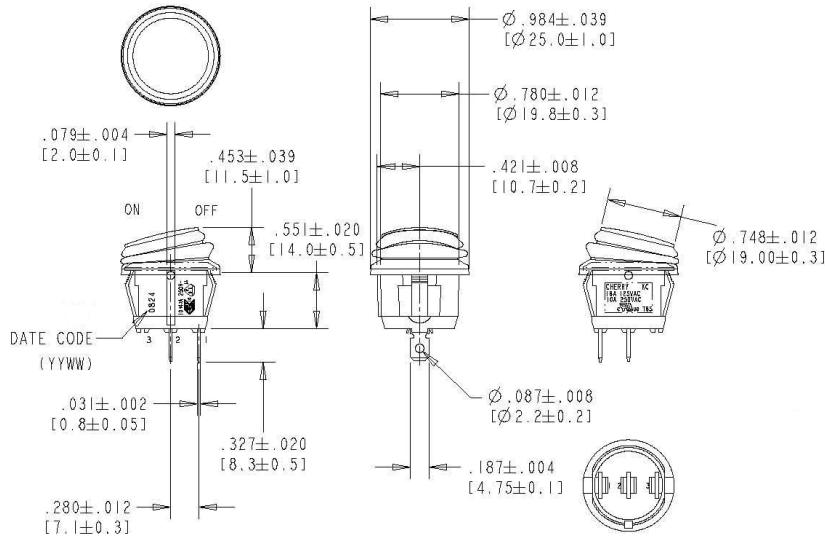
Specifications subject to change without notice.

Waterproof Single Pole Round Rocker Switch

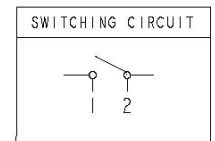
KC Series

Dimensions Inches (mm)

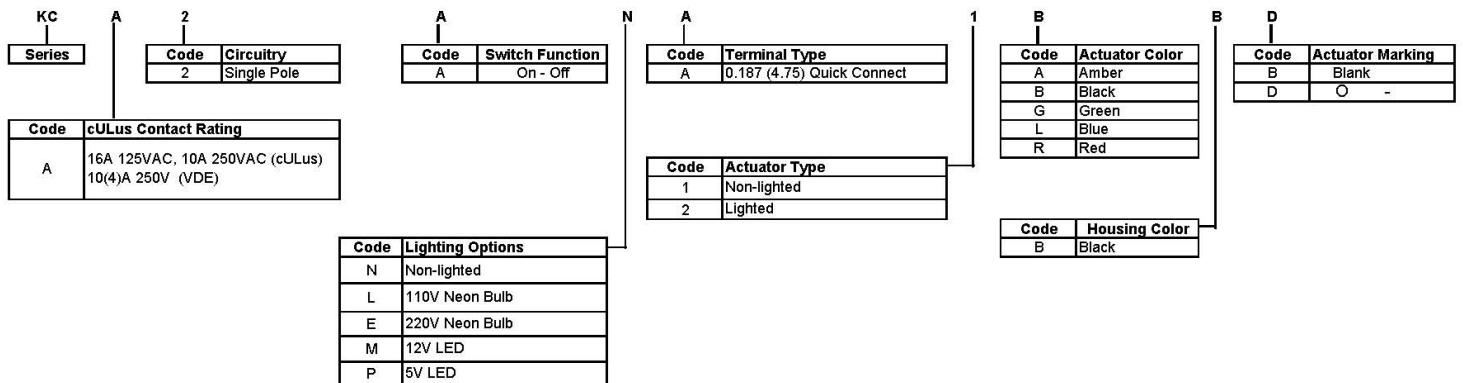
Recommended Panel Cut-Out Dimensions inches



MOUNTING HOLES	
FIG.	PANEL THICKNESS
1	.059 TO .098 [1.5 TO 2.5]
2	.028 TO .098 [0.7 TO 2.5]



Ordering Information



Examples of Common Part Numbers and Descriptions inches (mm)

Part Number	Circuitry	Switch Function	Terminal Type	Actuator / Housing Color	Legend Marking
KCA2ANA1BBB		On-Off	0.187 (4.75) Quick Connect	Black / Black	
KCA2ALA2RBB		On-Off (Illuminated)	0.187 (4.75) Quick Connect	Red / Black (Red Lens)	

Contact

Call, fax or visit our Website for more information.

ZF Electronics Corporation
11200 88th Avenue
Pleasant Prairie, WI 53158

Phone: 262.942.6500
Web: www.cherrycorp.com
Email: cep_sales@zf.com
Fax: 262.942.6566

The manufacturer accepts no liability for errors or non-availability, and reserves the right to change specifications without prior notice.

Technical data relates to product specifications only. Features may differ from those described. Only drawings combined with product specifications shall be deemed binding.

© 2007 ZF Electronics Corporation

Last Updated:080212

