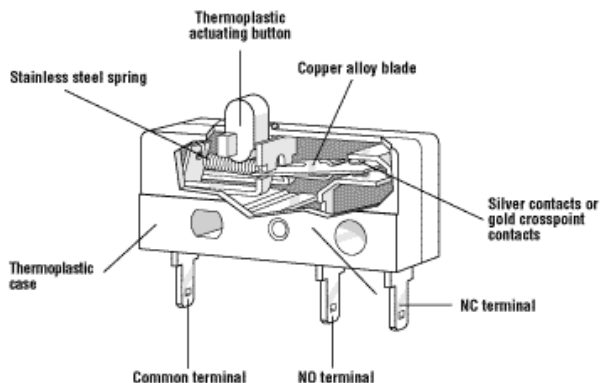


# SUBMINIATURE Switch **E61-E64 Series**



## Features

- 4 Contact Ratings
- Long life coil spring mechanism
- High temperature versions optional
- Four terminal types
- RoHS compliant

## Electrical Ratings and Operating Life

Switch Series	According to UL 1054	
	Nominal Load	Electrical Life at Rated Load
E61	5A 125/250 VAC 5A, 30 VDC optional	6000
E62	10.1A 125/250 VAC; 1/4HP 125VAC	6000
E63	0.1A 125VAC 0.25A, 30 VDC optional	6000*
E64	13A, 125VAC; 10.1A 250VAC	6000

\* Indicates 100K UL Life Available. Contact Factory

## Technical Specifications

**Temperature Rating:** -40°C to 85°C 130°C optional using thermoset material. Special part number required.

**Flammability Rating** UL94HB

**Mounting:** Recommended screw: #2-56 round head  
 Recommended torque: 2 inch lbs. max

**UL File Number:** E23301

Specifications subject to change

## Material Specifications

**Case:** Thermoplastic

**Actuating Button:** Thermoplastic Acetal

**Terminal:** Silver Plated Commercial Bronze

**Moving Blade:** Beryllium Copper

**Spring:** Stainless Steel

**Contacts:** E61, E62, E64: Fine Silver  
 E63: Gold Crosspoint

**Auxiliary Actuator:** Cold Rolled Steel (Nickel-Plated)



SUBMINIATURE

# E61-E64 Series

Commonly Stocked Distributor Items / Preferred Part Numbers

Item Number	Actuator	UL Rating	Maximum Operating Force (grams)	Maximum Pretravel inches (mm)	Operating Point* inches (mm)	Minimum Overtravel inches (mm)	Max. Movement Differential inches (mm)	Terminal Style	Actuation Length**
0E6100A0		5A 125/250VAC	90	.030 (0.76)	0.330 +/- 0.015 (8.38 +/- 0.38)	0.040 (1.06)	.004 (0.10)	0.093" Q.C.	N/A
0E6100H0		5A 125/250VAC	27	0.144 (3.66)	0.350 +/- 0.030 (8.89 +/- 0.76)	0.040 (1.02)	.020 (0.51)	0.093" Q.C.	0.271 (6.88)
0E6100K0		5A 125/250VAC	30	0.114 (2.90)	0.571 +/- .055 (14.50 +/- 1.4)	0.019 (.483)	0.015 (0.381)	0.093" Q.C.	0.203 (5.16)
0E6110A0		5A 125/250VAC	90	.030 (0.76)	0.330 +/- 0.015 (8.38 +/- 0.38)	0.040 (1.06)	.004 (0.10)	Short Solder	N/A
0E6110H0		5A 125/250VAC	27	0.144 (3.66)	0.350 +/- 0.030 (8.89 +/- 0.76)	0.040 (1.02)	.020 (0.51)	Short Solder	0.271 (6.88)
0E6110K0		5A 125/250VAC	30	0.114 (2.90)	0.571 +/- .055 (14.50 +/- 1.4)	0.019 (.483)	0.015 (0.381)	Short Solder	0.203 (5.16)
0E6130A0		5A 125/250VAC	90	.030 (0.76)	0.330 +/- 0.015 (8.38 +/- 0.38)	0.040 (1.06)	.004 (0.10)	0.110" Q.C.	N/A
0E6130K0		5A 125/250VAC	30	0.114 (2.90)	0.571 +/- .055 (14.50 +/- 1.4)	0.019 (.483)	0.015 (0.381)	0.110" Q.C.	0.203 (5.16)
0E6150H0		5A 125/250VAC	9	0.416 (10.57)	0.350 +/- 0.175 (8.89 +/- 0.76)	0.050 (1.27)	0.050 (1.27)	0.093" Q.C.	0.396 (10.06)
0E6160H0		5A 125/250VAC	9	0.416 (10.57)	0.350 +/- 0.175 (8.89 +/- 0.76)	0.050 (1.27)	0.050 (1.27)	Short Solder	0.396 (10.06)
0E6200A0		10.1A, 125/250VAC; 1/4HP 125VAC	212	.030 (0.76)	0.330 +/- 0.015 (8.38 +/- 0.38)	0.040 (1.06)	.004 (0.10)	0.093" Q.C.	N/A
0E6200H0		10.1A, 125/250VAC; 1/4HP 125VAC	56	0.144 (3.66)	0.350 +/- 0.030 (8.89 +/- 0.76)	0.040 (1.02)	.020 (0.51)	0.093" Q.C.	0.271 (6.88)
0E6200K0		10.1A, 125/250VAC; 1/4HP 125VAC	65	0.114 (2.90)	0.571 +/- .055 (14.50 +/- 1.4)	0.019 (.483)	0.015 (0.381)	0.093" Q.C.	0.203 (5.16)
0E6210A0		10.1A, 125/250VAC; 1/4HP 125VAC	212	.030 (0.76)	0.330 +/- 0.015 (8.38 +/- 0.38)	0.040 (1.06)	.004 (0.10)	Short Solder	N/A
0E6210H0		10.1A, 125/250VAC; 1/4HP 125VAC	56	0.144 (3.66)	0.350 +/- 0.030 (8.89 +/- 0.76)	0.040 (1.02)	.020 (0.51)	Short Solder	0.271 (6.88)
0E6210K0		10.1A, 125/250VAC; 1/4HP 125VAC	65	0.114 (2.90)	0.571 +/- .055 (14.50 +/- 1.4)	0.019 (.483)	0.015 (0.381)	Short Solder	0.203 (5.16)
0E6230A0		10.1A, 125/250VAC; 1/4HP 125VAC	212	.030 (0.76)	0.330 +/- 0.015 (8.38 +/- 0.38)	0.040 (1.06)	.004 (0.10)	0.110" Q.C.	N/A
0E6230K0		10.1A, 125/250VAC; 1/4HP 125VAC	65	0.114 (2.90)	0.571 +/- .055 (14.50 +/- 1.4)	0.019 (.483)	0.015 (0.381)	0.110" Q.C.	0.203 (5.16)
0E6250A0		10.1A, 125/250VAC; 1/4HP 125VAC	212	.030 (0.76)	0.330 +/- 0.015 (8.38 +/- 0.38)	0.040 (1.06)	.004 (0.10)	PCB	N/A
0E6250K0		10.1A, 125/250VAC; 1/4HP 125VAC	33	0.379 (9.63)	0.570 +/- 0.158 (14.48 +/- 0.76)	0.040 (1.02)	0.050 (1.27)	0.093" Q.C.	0.326 (8.29)
0E6260H0		10.1A, 125/250VAC; 1/4HP 125VAC	20	0.416 (10.57)	0.350 +/- 0.175 (8.89 +/- 0.76)	0.050 (1.27)	0.050 (1.27)	Short Solder	0.271 (6.88)
0E6300A0		0.1A, 125VAC	90	.030 (0.76)	0.330 +/- 0.015 (8.38 +/- 0.38)	0.040 (1.06)	.004 (0.10)	0.093" Q.C.	N/A
0E6300H0		0.1A, 125VAC	27	0.144 (3.66)	0.350 +/- 0.030 (8.89 +/- 0.76)	0.040 (1.02)	.020 (0.51)	0.093" Q.C.	0.196 (4.98)
0E6300K0		0.1A, 125VAC	30	0.114 (2.90)	0.571 +/- .055 (14.50 +/- 1.4)	0.019 (.483)	0.015 (0.381)	0.093" Q.C.	0.203 (5.16)
0E6310H0		0.1A, 125VAC	27	0.144 (3.66)	0.350 +/- 0.030 (8.89 +/- 0.76)	0.040 (1.02)	.020 (0.51)	Short Solder	0.271 (6.88)
0E6310K0		0.1A, 125VAC	30	0.114 (2.90)	0.571 +/- .055 (14.50 +/- 1.4)	0.019 (.483)	0.015 (0.381)	Short Solder	0.203 (5.16)
0E6330K0		0.1A, 125VAC	30	0.114 (2.90)	0.571 +/- .055 (14.50 +/- 1.4)	0.019 (.483)	0.015 (0.381)	0.093" Q.C.	0.203 (5.16)
0E6350H0		0.1A, 125VAC	9	0.416 (10.57)	0.350 +/- 0.175 (8.89 +/- 0.76)	0.050 (1.27)	0.050 (1.27)	0.093" Q.C.	0.396 (10.06)

\* Measured using Reference Line shown on drawing on following page.

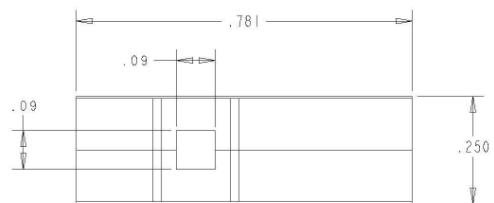
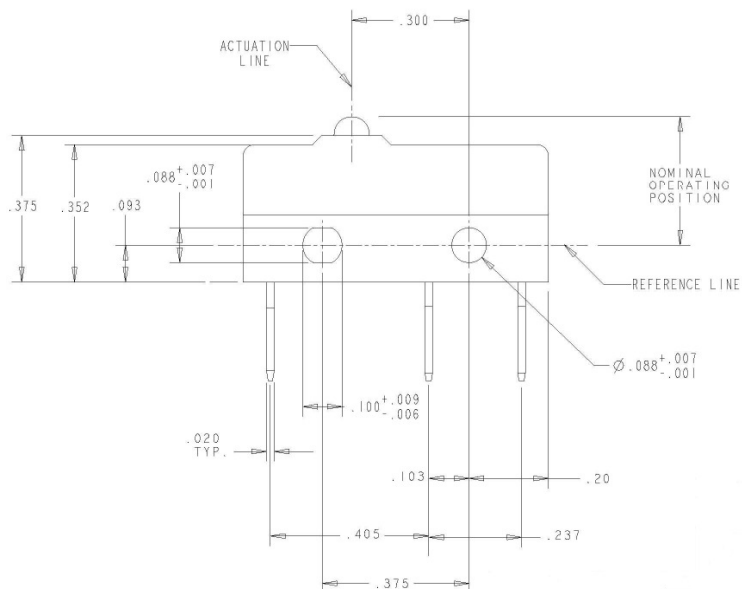
\*\* Actuator tolerance of +/- 0.031" (0.79 mm)



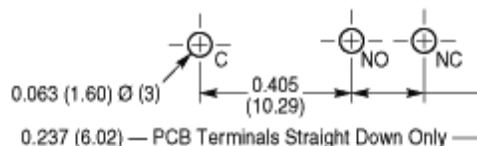
SUBMINIATURE

# E61-E64 Series

Dimensions inches



PCB Terminal Footprint



Terminal Options inches

<p>-00A 0.093" QC</p>	<p>-10A Short Solder<sup>^</sup></p>	<p>-30A 0.110" QC</p>	<p>-50A PCB<sup>^</sup></p>

<sup>^</sup> Not available on E64 series

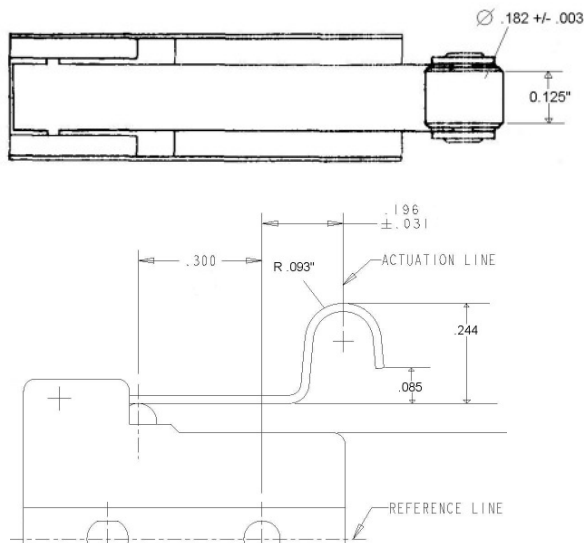
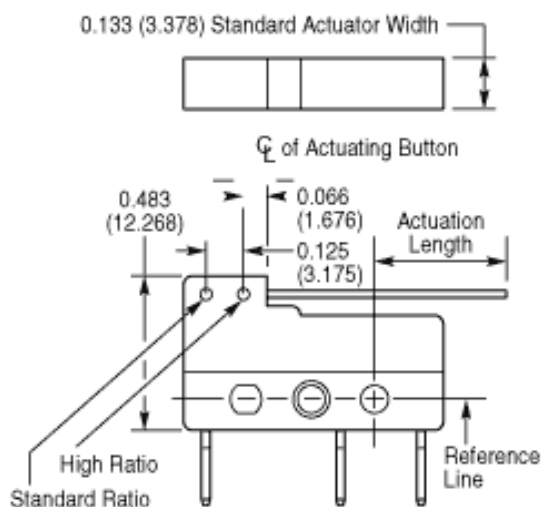
- Consult factory for switch part numbers if ordering pcb terminals

Terminal Mating Connectors:

- 0.093" QC terminals mate with AMP part number 60432-1
- 0.110" QC terminals mate with AMP part number 42068-1



## Actuators



## Ordering Information

1. Select the contact rating prefix you need (E61-E64).
2. Combine the prefix with the corresponding terminal configuration. For example part number E63-50H will provide you with a gold crosspoint subminiature switch with 0.093" QC terminals and a straight lever with a 0.396" actuation length
3. To order a normally open version simply 'add 1' to the suffix to obtain E63-01H and normally closed 'add 2' for part number E63-02H.
4. To order a E62-50K with 0.110" QC terminals, "add" the new terminal code (-30) to the part number – E62-80K will be the resulting part number for a subminiature switch with 0.110" QC terminals and a roller lever with a 0.326" actuation length.

## Contact

Call, fax or visit our Website for more information.

**ZF Electronics Corporation**  
 11200 88th Avenue  
 Pleasant Prairie, WI 53158

The manufacturer accepts no liability for errors or non-availability, and reserves the right to change specifications without prior notice.

Technical data relates to product specifications only. Features may be described. Only when combined with product shall be deemed

[switches-sensors.zf.com/us/product/subminiature-db/](http://switches-sensors.zf.com/us/product/subminiature-db/)

© 2007 ZF Electronics Corporation

Last Updated: 061212

