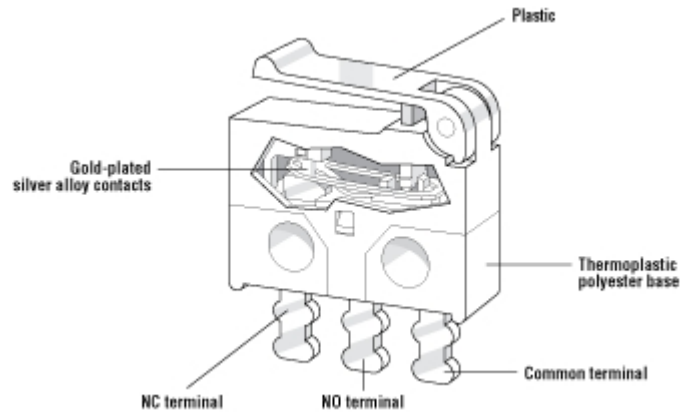


## Subminiature Snap Action Switch

# DH Series



### Features

- Ultraminiature dimensions, just 0.323" x 0.106" x 0.244" (8.2mm x 2.7mm x 6.2mm)
- Specifically designed for low switching currents and voltages
- Can be mounted to circuit boards in upright position or horizontally with terminals bent left or right
- Available with or without auxiliary actuator
- RoHS compliant

### Electrical Ratings and Operating Life

Switch Series	Nominal Load	Mechanical Life (min)	Electrical Life (min)
	DH2	5-500 mA @ 30VDC	50,000

### Technical Specifications

Temperature Rating:	-25°C to 70°C
Degree of Protection:	IP40
Contact Gap	< 3mm ( $\mu$ )
Contact Configuration:	SPDT

### Material Specifications

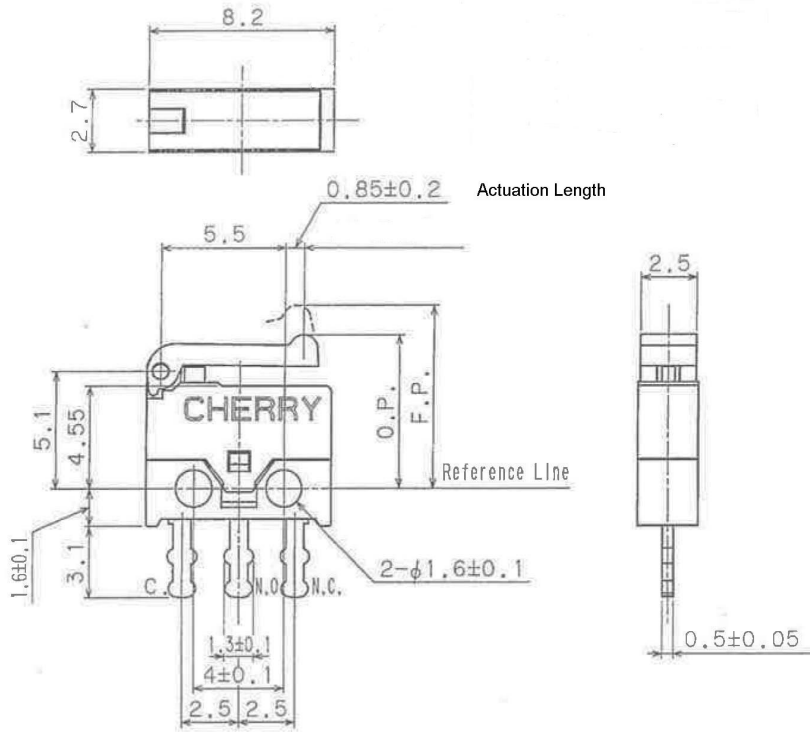
Base:	PPHS	UL94V-0
Cover:	PBTP	UL94V-0
Actuator button:	PBTP	UL94V-0
Contacts:	Gold Flash Silver Alloy	
Terminals:	Brass – Silver Plated	
Auxiliary actuator:	PBTP	UL94V-0

Specifications subject to change

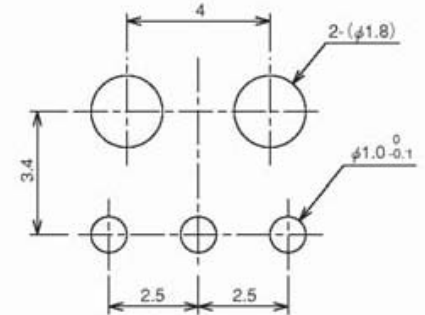
# Subminiature Snap Action Switch

# DH Series

## Dimensions (mm)

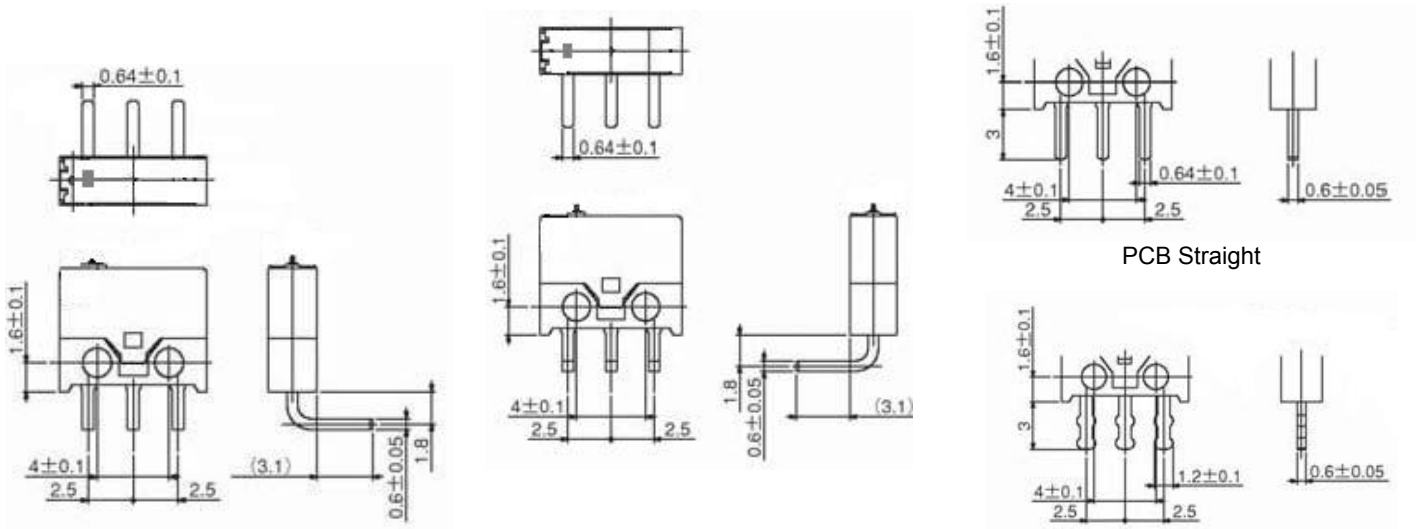


## PCB Layout (mm)



Tolerance +/- 0.05 unless otherwise stated

## Terminal Options (mm)



Right Hand PCB Terminals

Left Hand PCB Terminals

Solder Straight

## Commonly Stocked Distributor Items / Preferred Part Numbers

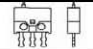
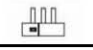
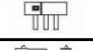
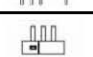


Part Number	Lever Type	Maximum Operate Force (gms)	Maximum Pre-Travel inches (mm)	Operate Point inches (mm)	Minimum Overtravel inches (mm)	Max. Movement Differential inches (mm)	Max. Rest Position inches (mm)	Actuation Length inches (mm)
DH2CB1AA	N/A	90	.014 (0.35)	.220 +/- .006 (5.6 +/- 0.15)	.004 (0.1)	.003 (0.07)	.282 (7.17)	N/A
DH2CB1PA	Simulated Roller	50	.051 (1.3)	.264 +/- .020 (6.7 +/- 0.5)	.012 (0.3)	.024 (0.6)	.335 (8.5)	.033 (0.85)

## Ordering Information

DH	2	C
Series		Code
		Contact Configuration
		C
		SPDT

Code	Contact Rating
2	5-500 mA @ 30VDC

B1		
Code	Terminal Type	
B1	Solder Straight	
B2	Solder RH Side	
B3	Solder LH Side	
C4	PCB Straight	
C5	PCB RH Side	
C6	PCB LH Side	

AA	
Code	Actuator Type
AA	Button only
PA	Simulated Roller

## Contact

Call, fax or visit our Website for more information.

**ZF Electronics Corporation**  
11200 88th Avenue  
Pleasant Prairie, WI 53158

Phone: 262.942.6500  
Web: [www.cherrycorp.com](http://www.cherrycorp.com)  
Email: [cep\\_sales@zf.com](mailto:cep_sales@zf.com)  
Fax: 262.942.6566

The manufacturer accepts no liability for errors or non-availability, and reserves the right to change specifications without prior notice.

Technical data relates to product specifications only. Features may differ from those described. Only drawings combined with product specifications shall be deemed binding.

© 2007 ZF Electronics Corporation

Last Updated: 09/16/11

