

Wireless Switch Receiver Modules

AFZE Series Energy Harvesting



Description

The AFZE receiver module works with our Energy Harvesting wireless switches to receive data transfer via RF technology. The system eliminates the need for complex wire assemblies and increases flexibility for use in previously inaccessible locations.

Flexible pairing allows the operation of several receivers with one switch and vice-versa, and the “Unique ID” excludes mutual interference between different RF switches. The “RF Stamp” is available as a stand-alone device without the receiver housing.

Features

- Suitable for wall mounting
- 868 MHz and 915 MHz frequency bands allow global use within different applications
- Network compatible
- Various output options

Typical Applications

- Building Automation
- Industrial Automation
- Smart Home

Technical Specifications

Operating Temperature	-40 °C to 85 °C (-40 °F to 167 °F)
Frequency Bands	868 MHz or 915 MHz
Receiving Sensitivity	-95 dBm min.
Receiver Class	2
Operating Voltages	5 VDC stabilized 7 VDC to 24 VDC non-stabilized 5 VDC USB
Output Interfaces	48 VAC or 230 VAC relay RS232 TTL, RS232 or RS485 bus Digital interface or SPI USB 2.0

PRELIMINARY

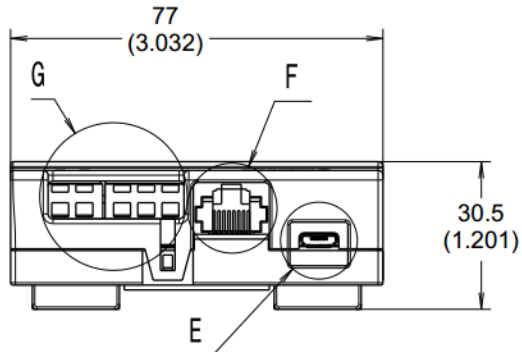
Products

Part Number	Description
AFZE-1003	Receiver module with housing, RS232 TTL output interface, wire antenna, 868 MHz
AFZE-5003	Receiver module with housing, RS232 TTL output interface, wire antenna, 915 MHz
AFZE-1005	Receiver module only, wire antenna, 868 MHz
AFZE-5004	Receiver module only, wire antenna, 915 MHz

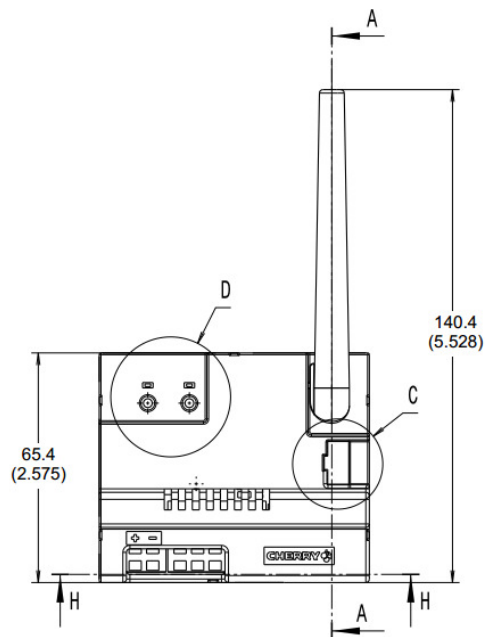
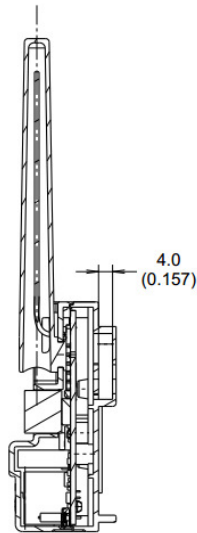
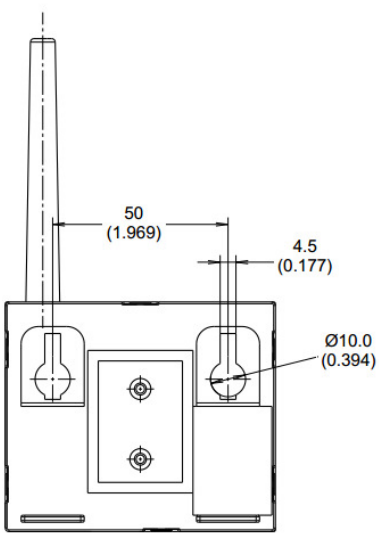
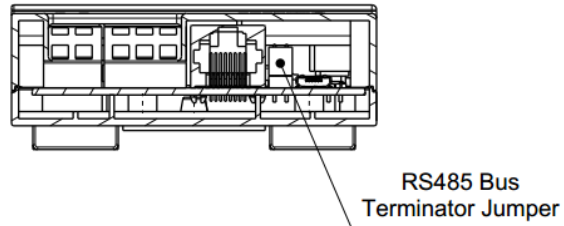
Dimensions – see reverse

Dimensions mm (inches)

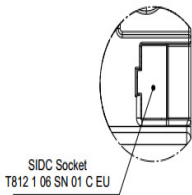
Front View



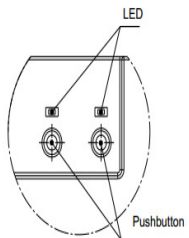
Section view H-H



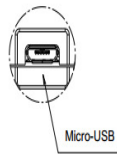
Detail C



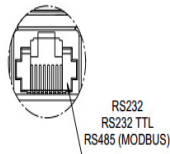
Detail D



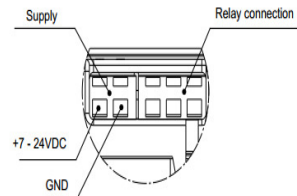
Detail E



Detail F



Detail G



3A /240 VAC

PRELIMINARY