

Vaporgard VF fluorescent luminaires

Class I, Div. 2, Groups A, B, C, D
 UL Listed
 CSA Certified
 NEMA 3R

5L

Applications:

Vaporgard™ VF fluorescent luminaires are used:

- Indoors or outdoors in industrial locations where enclosed and gasketed luminaires are required
- Where the energy efficiency and long life of single twin tube compact fluorescent lamps are desired
- Where luminaires may be subject to wet, damp, dirty locations
- Where vibration and rough usage are a problem
- To retrofit existing Vaporgard incandescent luminaires
- In tunnels, building entrances, utility rooms, hallways and similar locations
- With clear or colored globes to illuminate or mark critical locations or processes

Features:

- Compact size and light weight allow adaptation and easy installation in many industrial applications
- Cast copper-free aluminum (less than 0.4 of 1% copper) construction and epoxy powder finish provide excellent resistance to corrosion
- Variety of mounting arrangements to suit any lighting layout – pendant, ceiling, wall bracket, angle stanchion, through feed, box mount
- VFH luminaire components can be installed on existing Vaporgard incandescent components and standard stamped metal boxes
- Fixtures available for use with two compact 9 watt fluorescent lamps
- Dome and 30° angle reflectors made of bright white Krydon material provide superior reflectivity; will not chip, peel, dent, rust or corrode
- Glass globes are internally fluted and stippled to reduce glare and provide even light distribution; exteriors are smooth to shed dust
- **All luminaires 120 VAC only**
- Grounding wire for safety

Certifications and compliances:

- Class I, Division 2, Groups A, B, C, D
- UL standards: UL844, UL1598
- CSA standard: C22.2 No. 137
- NEMA 3R

Standard materials:

- Bodies and guards – copper-free aluminum (less than 0.4 of 1%)
- Globes – clear or colored, glass or plastic
- Reflectors – Krydon fiberglass-reinforced polyester



Electrical ratings:

- Input voltage – 120 VAC, 60 Hz
- Wattage – two 9W lamps

Photometrics:

- Complete photometrics can be found at www.crouse-hinds.com/photometrics

Net luminaire weights:

Series	1-lamp luminaire with globe and guard (lbs.)	2-lamp luminaire with globe and guard (lbs.)
VFA	4.75	5.00
VFHF	5.00	5.25
VFHBF	7.25	7.50

Type	Weight (lbs.)
Add reflectors:	
Dome	1.00
30° angle	1.00

Deduct: 0.50 lbs. for P21 guard

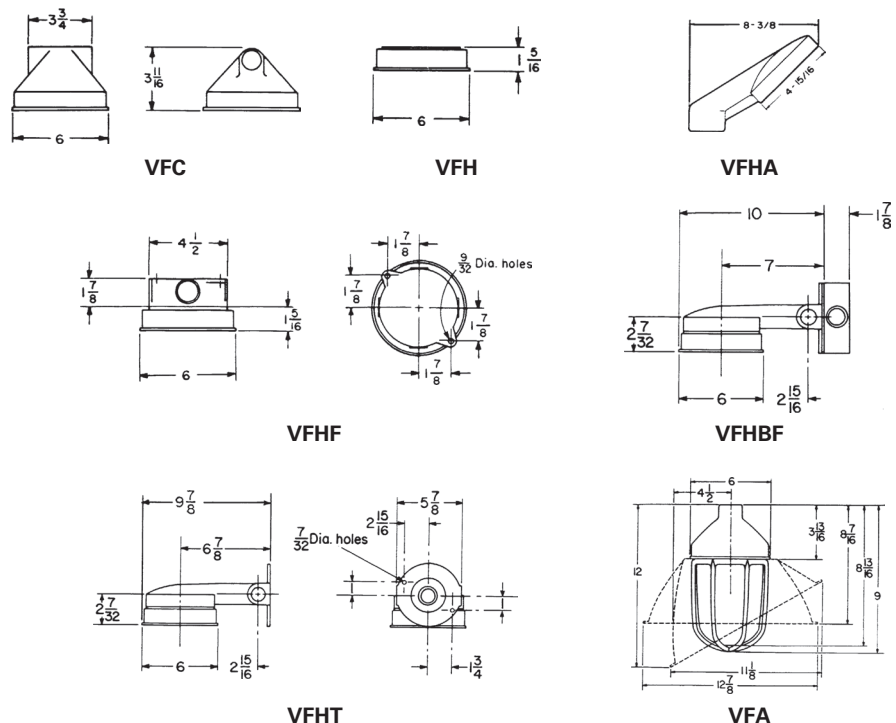
Standard finishes:

- Copper-free aluminum – epoxy powder coat
- Krydon – high reflectance white

Temperature performance data:

Lamp	Class I, Div. 2	Maximum ambient	Supply wire °C	Minimum operating temp.
9W	T3B	40°C	75	-4°C (25°F)

Dimensions (in inches):



Vaporgard VF fluorescent luminaires

Cl. I, Div. 2, Groups A, B, C, D
UL Listed
CSA Certified
NEMA 3R

5L

Ordering information:

Twin tube fluorescent with G24 clear glass globe and P21 guard (lamps not included)



Luminaire watts	Hub size	Cat. # Pendant mount	Cat. # Ceiling mount	Cat. # Wall mount with box	Cat. # Wall mount without box	Cat. # Stanchion mount angle ^A	Cat. # Through feed mount	Cat. # Box mount and retrofit
2 lamps, 9W each	1/2"	VFA122GP	VFHF122GP	VFHBF122GP	VFHT122GP		VFC122GP	VFH122GP
	3/4"	VFA222GP	VFHF222GP	VFHBF222GP	VFHT222GP		VFC222GP	
	1"	VFA322GP						
	1 1/4"					VFHA422GP		

For colored glass globes or plastic globes, substitute appropriate globe designation (see below) for 'G' in above catalog numbers.

Accessories and components:

Reflectors



Type	Cat. #
Dome (cannot be used with wall mount luminaires)	RD71
30° angle	RA71

Globes



Globe color	Cat. # Glass globe	Cat. # Plastic globe ^A
Clear	G24	G63
Green	G25	G65
Blue	G26	
Red	G27	G67
Amber	G28	

Guard



Guard	Cat. #
For use with glass globes only	P21

Junction boxes and bracket bodies



VXF

VXF - 4 hubs, 3 plugs	
Hub size	Cat. #
1/2"	VXF10
3/4"	VXF20



VXT

VXT - 3 hubs, 2 plugs	
Hub size	Cat. #
1/2"	VXT10
3/4"	VXT20



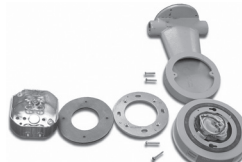
VXA

VXA - 45° stanchion mount (non-hazardous locations)	
Hub size	Cat. #
1 1/4"	VXA4



VXFT

VXFT - 5 hubs, 4 plugs	
Hub size	Cat. #
1/2"	VXFT10
3/4"	VXFT20



VXT K1

Mounting adapter kit	
Description	Cat. #
Allows for the mounting of non-Eaton's Crouse-Hinds series outlet boxes to the VXT20 wall mount bracket and VXH ceiling mount bracket	VXT K1

^AFor non-hazardous locations.

