

INCH-POUND

MS35058K
6 January 2006
SUPERSEDING
MS35058J
15 November 1980

DETAIL SPECIFICATION SHEET

SWITCH, TOGGLE ONE POLE, SEALED TOGGLE

This specification is approved for use by all
Departments and Agencies of the Department of Defense.

The complete requirements for acquiring the switch described herein shall consist of this specification and
the latest issue of MIL-DTL-83731.

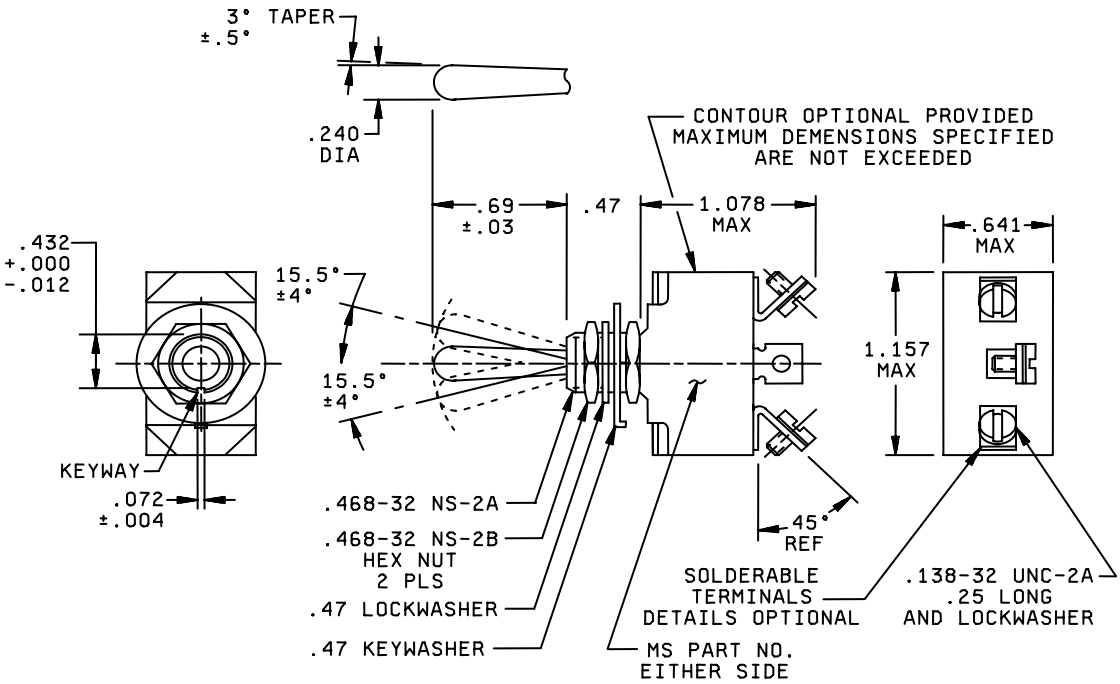


FIGURE 1 Dimensions and configurations

MS35058K

NOTES

1. All dimensions are in inches.
2. For hardware and terminal screw detail specifications see supplement of MIL-DTL-83731.
3. Unless otherwise specifies, tolerance is $\pm .02$ on two place decimals and $\pm .005$ on three place decimals.

FIGURE 1 Dimensions and configurations Continued

REQUIREMENTS:

All switches on this standard are designed so that the movement of the switch mechanism is opposite to that of the toggle lever.

Maximum weight is 0.10 pounds.

Endurance: Electrical 10,000 Cycles.

Endurance: Mechanical 20,000 Cycles.

Referenced documents shall be of the issue in effect on the date of invitation for bid.

For design feature purposes, this standard takes precedence over procurement document referenced herein.

Table I MS part numbers

MS Part No.	Former Ms Part No.		Former AN Part No.	Former Jan Type Designation
	Screw-Lug Terminal	Solder-Lug Terminal ^{1/}		
MS35058-21	MS35058-5	-	AN3021-1	ST40 E
	-	MS35058-16	-	ST42 E
MS35058-22	-	-	AN3021-2	ST40 A
	-	MS35058-9	-	ST42 A
MS35058-23	MS35058-4	-	AN3021-3	ST40D
	-	MS35058-15	-	ST42D
MS35058-24	MS35058-1	-	AN3021-10	-
	-	MS35058-12	-	-
MS35058-25	MS35058-3	-	AN3021-12	-
	-	MS35058-14	-	-
MS35058-26	MS35058-6	-	-	ST40F
	-	MS35058-17	-	ST42F
MS35058-27	MS35058-7	-	AN3021-7	ST40G
	-	MS35058-18	-	ST42G
MS35058-28	MS35058-2	-	AN3021-11	-
	-	MS35058-13	-	-
MS35058-29	-	-	AN3021-9	ST40B
	-	MS35058-10	-	ST42B
MS35058-30	-	-	AN3021-8	ST40C
	-	MS35058-11	-	ST42C
MS35058-31	MS35058-8	-	AN3021-6	ST40H
	-	MS35058-19	--	ST42H

^{1/} These MS part numbers are superseded by part number MS35058-21 thru MS35058-31, as applicable. By removing the screws and lockwashers from the applicable part, a switch with solder lug terminal is formed.

TABLE II: Detail Requirements

MS Part No.	Circuit with toggle lever in			Current Capacity (amperes per pole)														
				Direct Current						Alternating Current 400 Hertz			Alternating current 60 Hertz					
	Keying Side	Center	Opposite Keying side	Lamp-Load Circuit	Resistive Circuit			Inductive			Lamp Load Circuit	Resistive Circuit	Inductive Circuit	Resistive Circuit		Inductive Circuit	Lamp Load Circuit	
28 V				28 V	125 V	250 V	28 V	125 V	250 V	115 V	115 V	115 V	115 V	220 V	115 V	Lamp Load Volts		
MS35058-21	On	Off	On															
MS35058-22	Off	None	On	7	25	----	----	15	----	----	3	10	10	10	----	10	----	
MS35058-23	On	None	On															
MS35058-24	None	Off	On															
MS35058-25	None	Mom-Off	On															
MS35058-26	Mom-On	None	On															
MS35058-27	Mom-On	Off	Mom-On															
MS35058-28	Mom-on	Off	None	5	20	----	----	10	----	----	2	10	7	10	----	7	-----	
MS35058-29	Mom-Off	None	On															
MS35058-30	Mom-on	None	Off															
MS35058-31	Mom-on	Off	On															

3

MS35058K

Referenced documents

MIL-DTL-83731

Marginal notations are not used in this revision to identify changes with respect to the previous issue due to the extent of the changes.

Custodians:

Army – CR

Navy – AS

Air Force – 11

DLA – CC

Preparing activity:

DLA – CC

Project (5930-2005-020)

Review activities:

Army – AV, MI

Navy – EC

Air Force – 99

NOTE: The activities listed above were interested in this document as of the date of this document. Since organizations and responsibilities can change, you should verify the currency of the information above using the ASSIST Online database at <http://assist.daps.dla.mil/>.