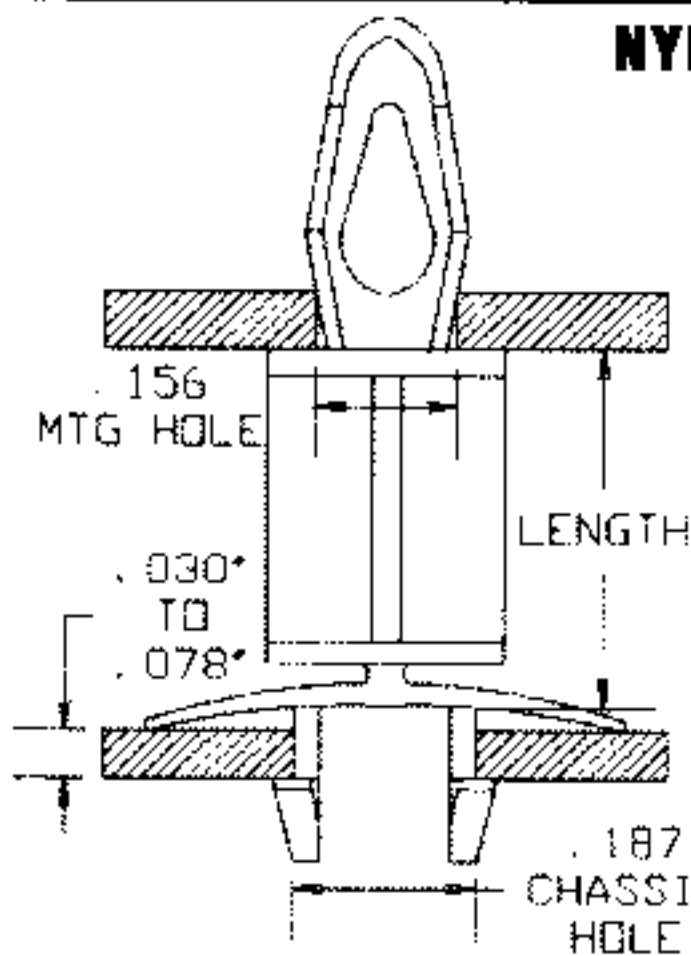


HARDWARE

NYLON BOARD SUPPORTS



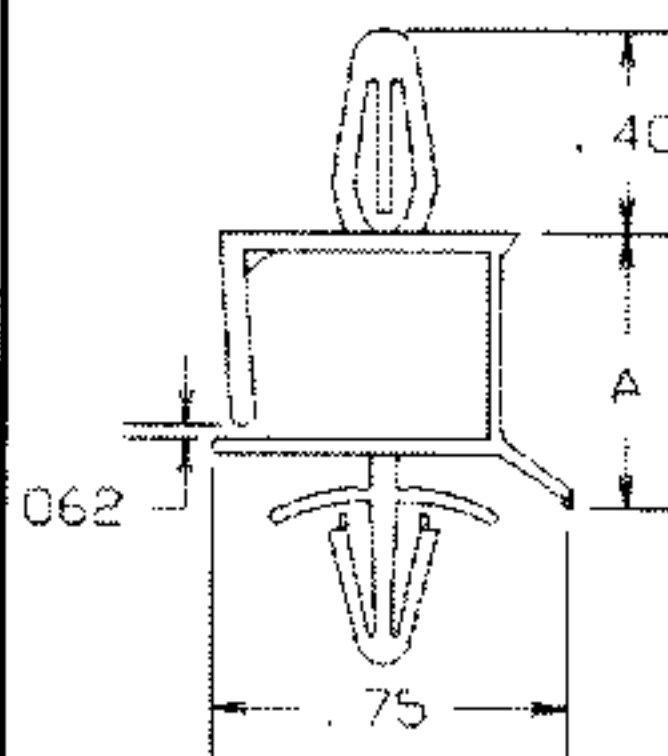
Snaps into circuit board and chassis. Chassis hole .187 diameter, thickness from .034 to .080 P.C. board hole .156, 1/16 thick.

PART NO.	LENGTH
770-4301	3/16"
770-4302	1/4"
770-4303	3/8"
770-4304	1/2"
770-4305	5/8"
770-4306	3/4"
770-4307	7/8"

SAME EXCEPT SELF-EXTINGUISHING

PART NO.	LENGTH
770-4325	3/16"
770-4326	1/4"
770-4327	3/8"
770-4328	1/2"
770-4329	5/8"
770-4330	3/4"
770-4331	7/8"

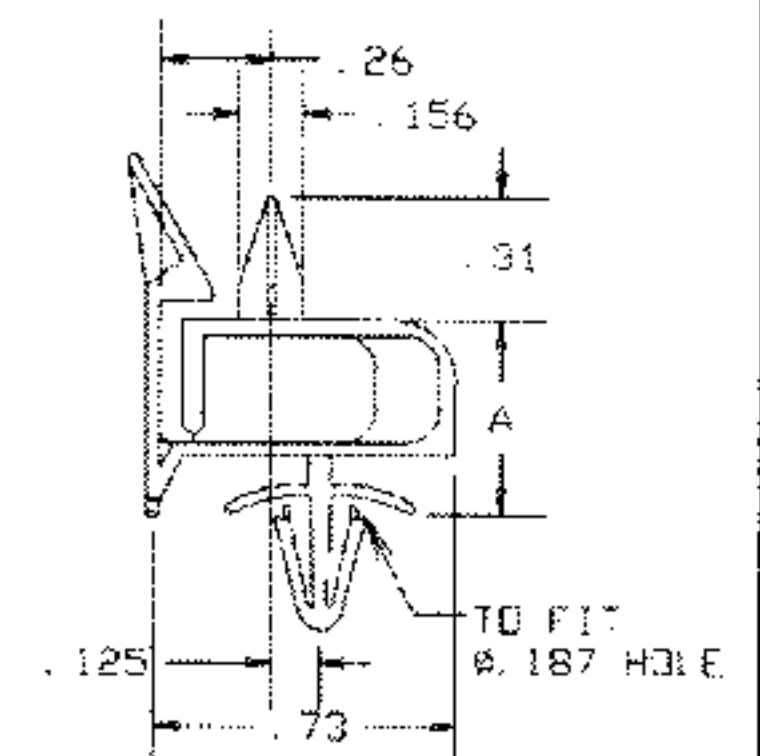
HINGED P.C. BOARD SUPPORTS



HINGED SUPPORT

PART NO.	LENGTH "A"
770-4380	7/16"
770-4381	5/8"
770-4382	7/8"

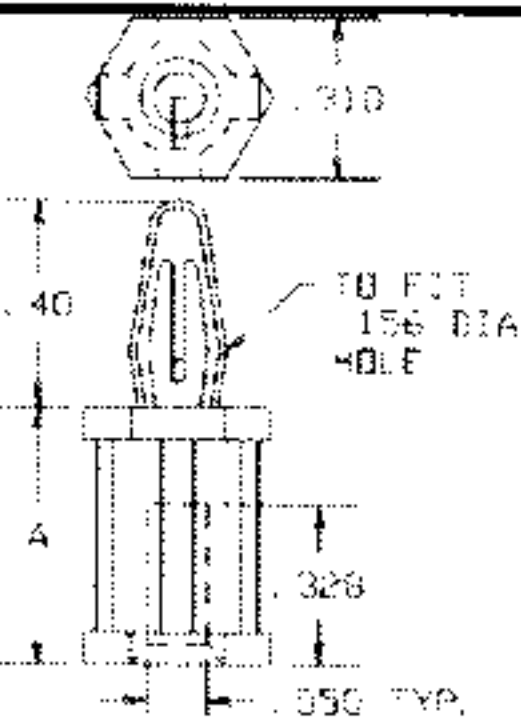
Nylon Board is hinged on one end, other end has locking edge holder. Fits .187 Dia. chassis hole and .156 Dia. P.C. Board hole



EDGE SUPPORT

PART NO.	LENGTH "A"
770-4390	7/16"
770-4391	5/8"
770-4392	7/8"

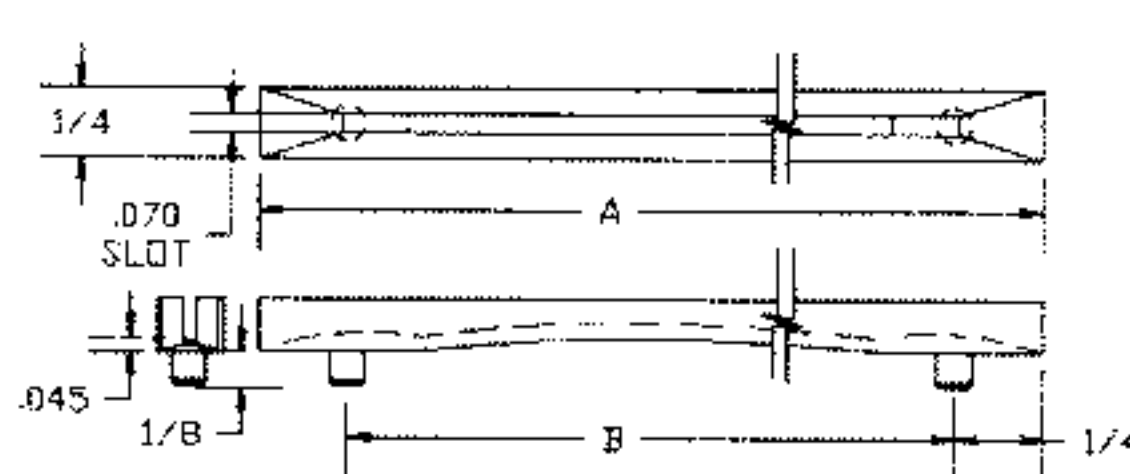
NYLON P.C. BOARD SUPPORTS



PART NO.	LENGTH "A"
770-4370*	.250"
770-4371	.375"
770-4372	.500"
770-4373	.625"
770-4374	.750"
770-4375	.875"
770-4376	1.12"
770-4377	1.43"

*DEPTH OF HOLE .203 FOR #6 SELF-TAPPING SCREW (TYPE B) SCREW MOUNT

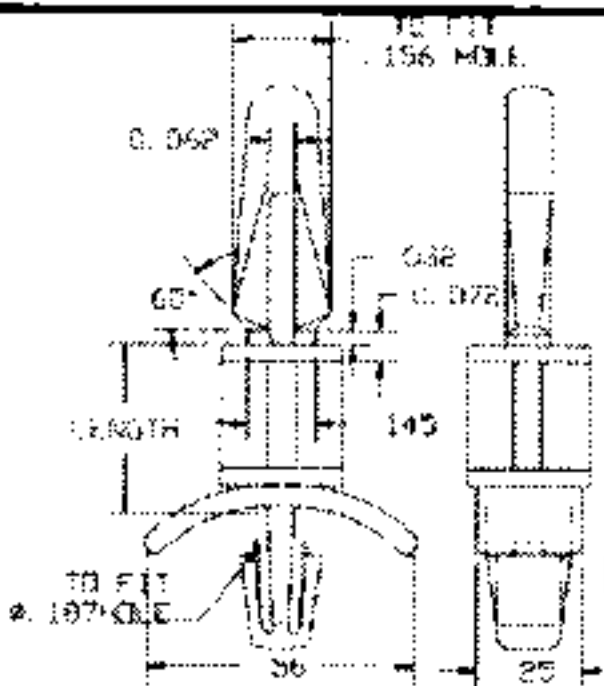
RACK CARD GUIDES



PART NO.	A	B
770-4455	3"	2-1/2"
770-4456	4"	3-1/2"
770-4457	6"	5-1/2"
770-4458	8-1/2"	8"

For mounting circuit boards in rack chassis. Guides snap into .125" Dia. hole at both ends. Natural nylon

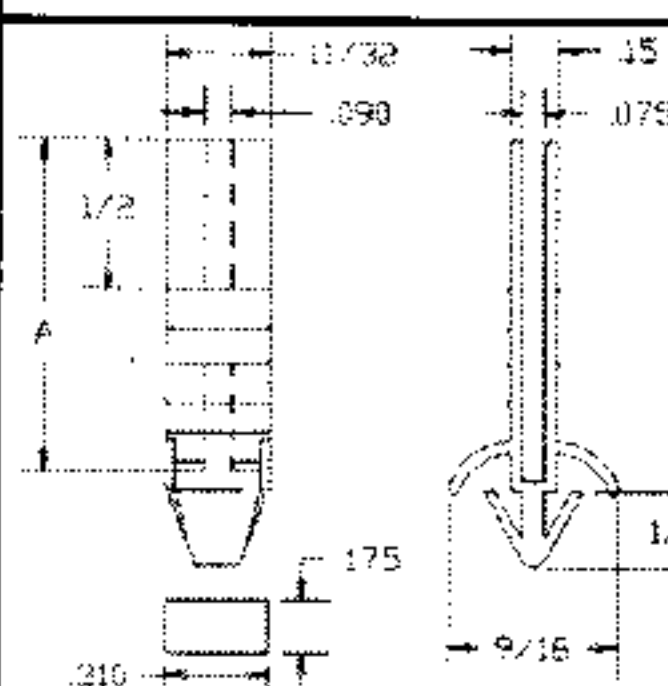
LONG NOSE P.C. BOARD SUPPORTS



NYLON. EXTENDED NOSE TO LOCATE CONNECTOR PINS AND SOCKETS. SNAPS INTO .187 DIA. CHASSIS HOLE

PART NO.	LENGTH
770-4351	3/16"
770-4352	1/4"
770-4353	3/8"
770-4354	1/2"
770-4355	5/8"
770-4356	3/4"
770-4357	7/8"

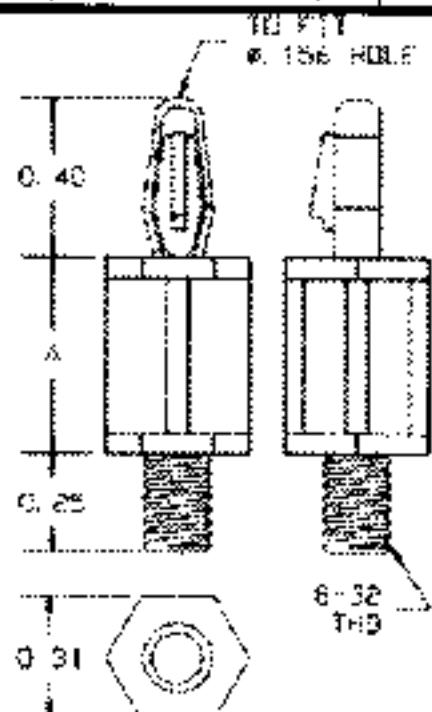
BOARD GUIDES



PART NO.	LENGTH "A"
770-4449	1"
770-4450	2"
770-4451	3"

Accommodate P.C. Boards of any width. Natural Nylon. Snap into place. Double channelled for stacking. Accepts board thickness from .030" to .075", fits into panel hole .175" x .310". Add .100" to board width for mounting hole center.

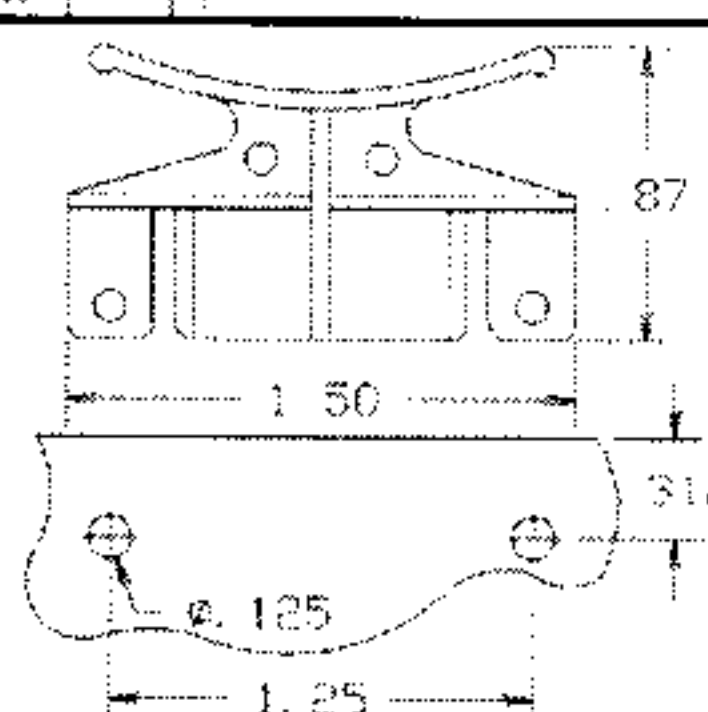
NYLON P.C. BOARD SUPPORTS



PART NO.	LENGTH "A"
770-4361	.250"
770-4362	.375"
770-4363	.500"
770-4364	.625"
770-4365	.750"
770-4366	.875"
770-4367	1.12"
770-4368	1.43"

STUD MOUNT

NYLON P.C. CARD HANDLE PART NO. 770-4498



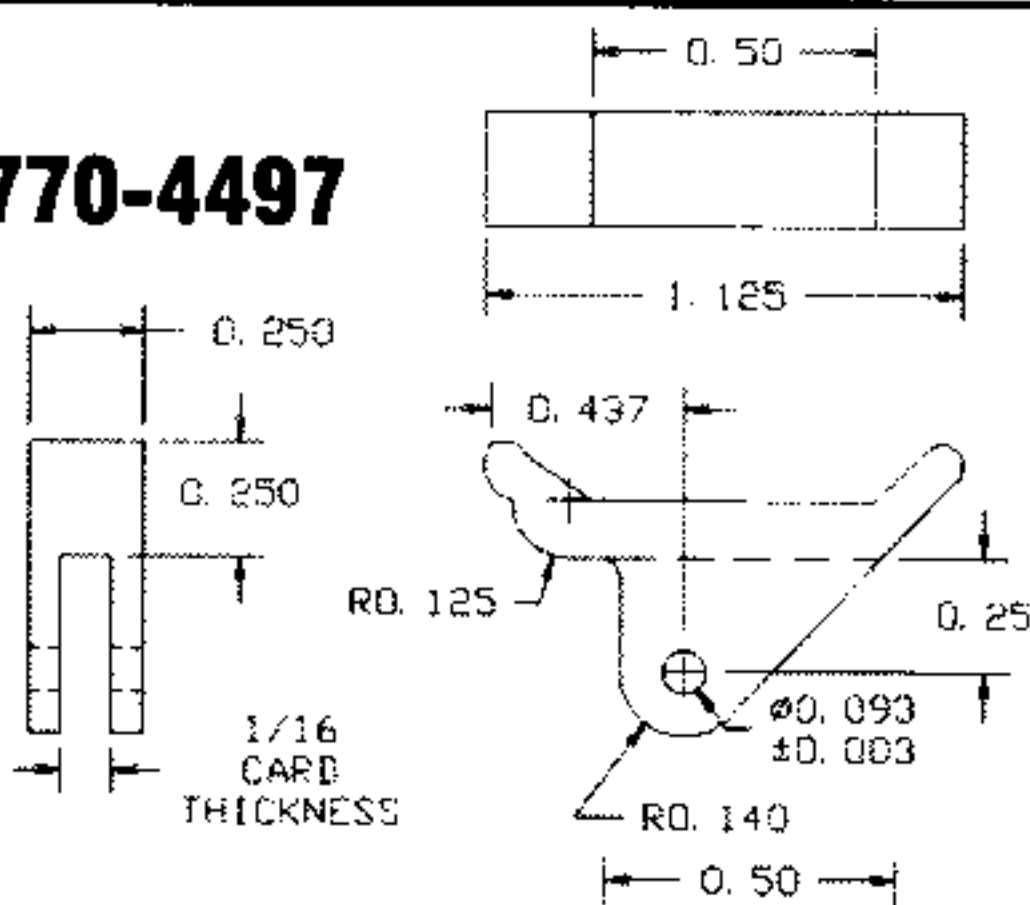
For use as a handle or puller for card insertion and removal

NYLON P.C. CARD EJECTORS

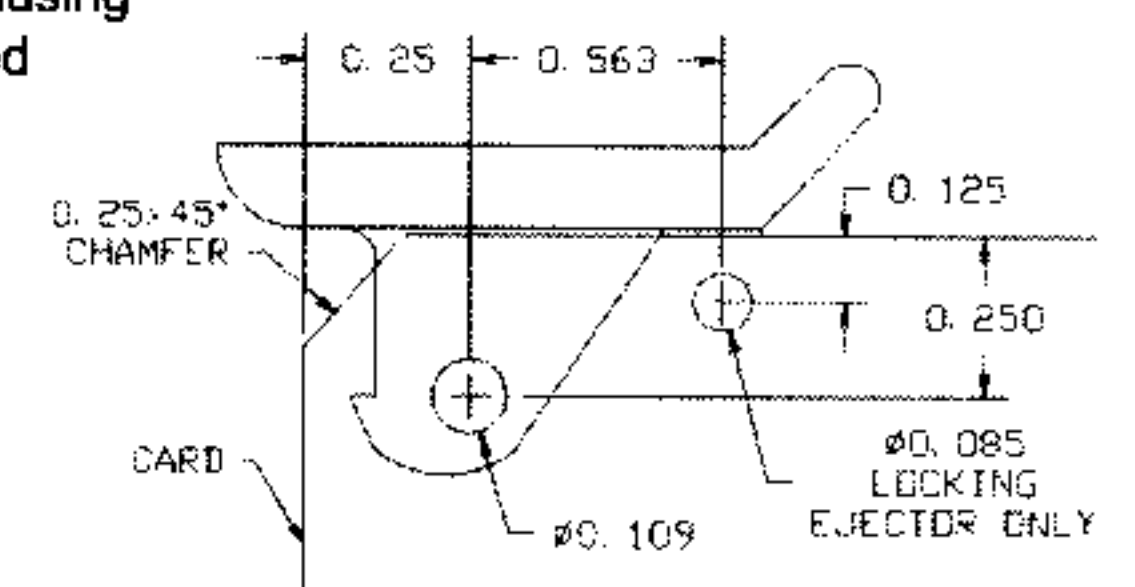
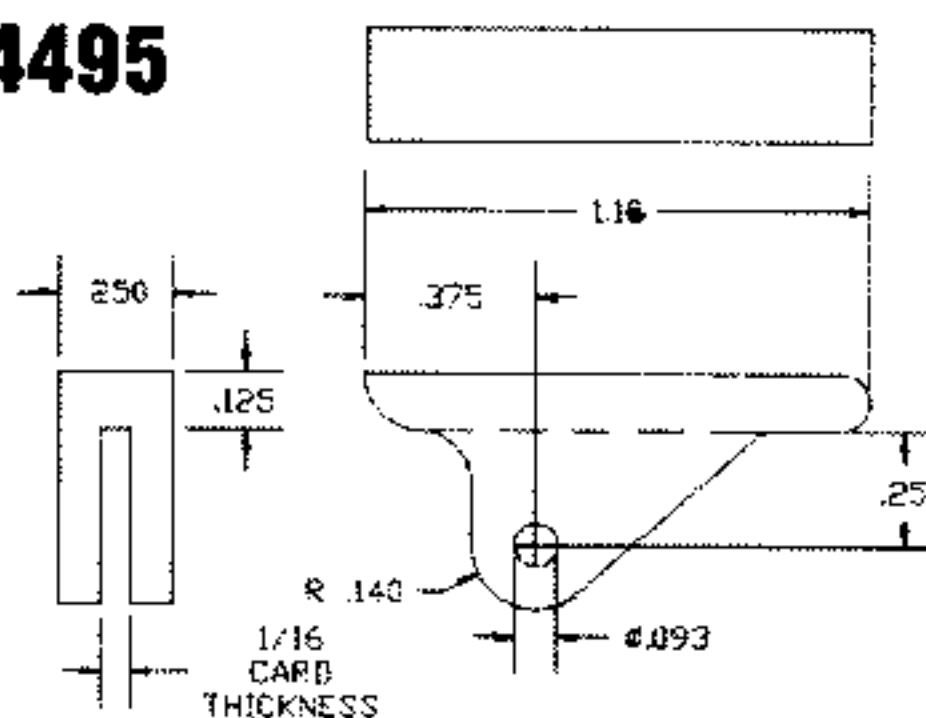
Made of Nylon 6/6 (UL Rating: 94V-2), these lever action ejectors permit the easy removal of P.C. Cards and can prevent undue damage causing stresses on circuit hardware. Spring pins supplied unassembled

CARD MOUNTING DIMENSIONS

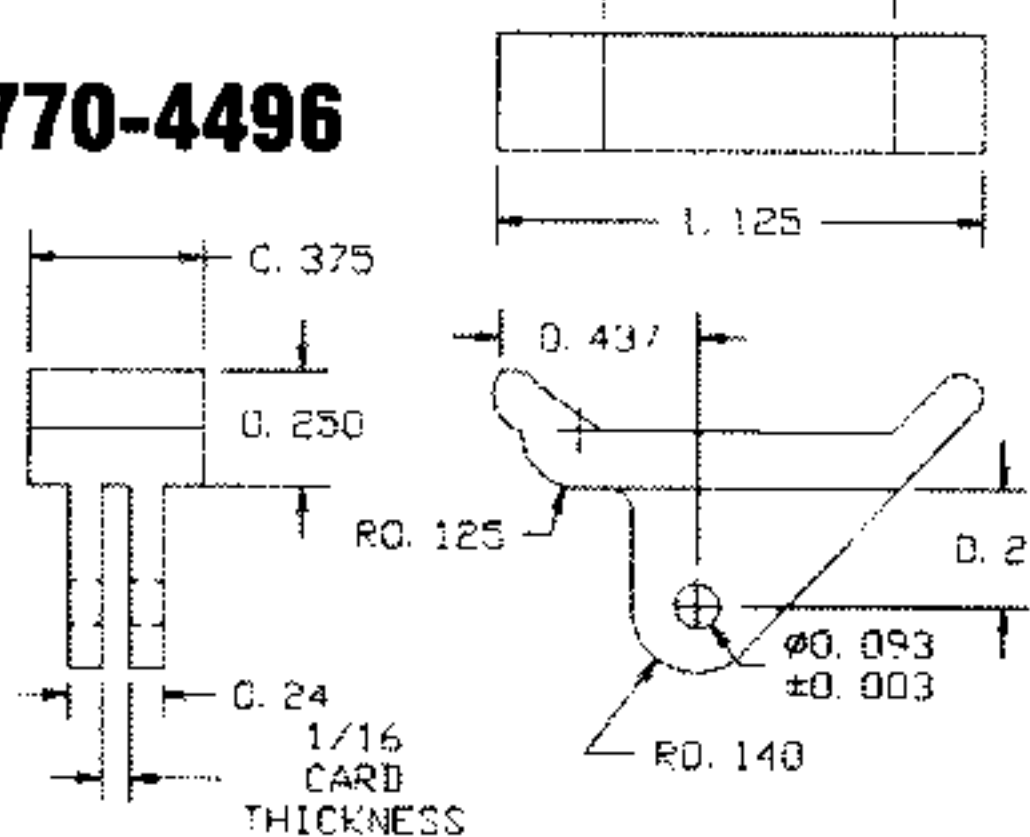
770-4497



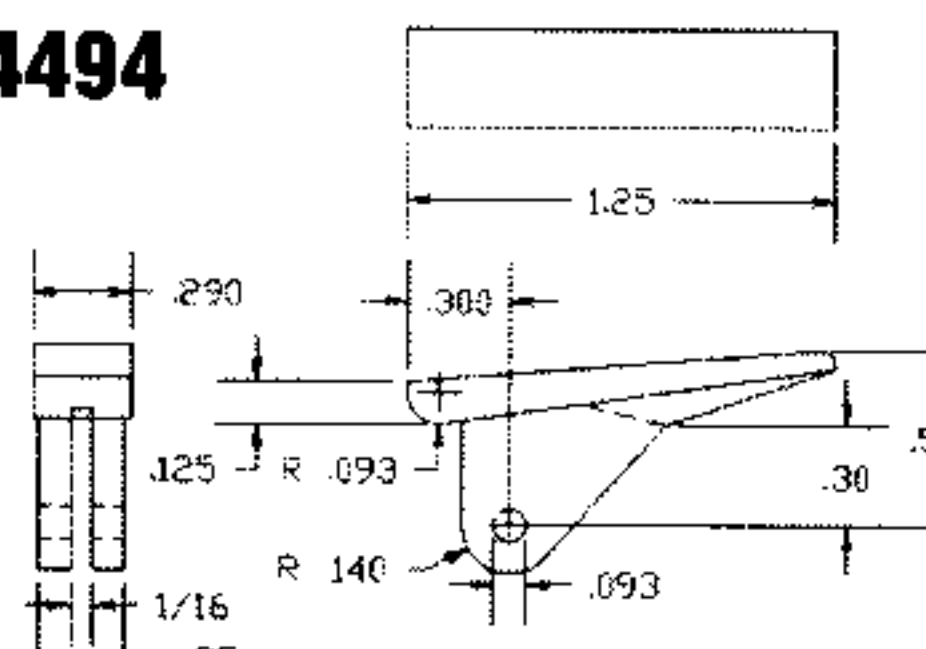
770-4495



770-4496



770-4494



770-4493

