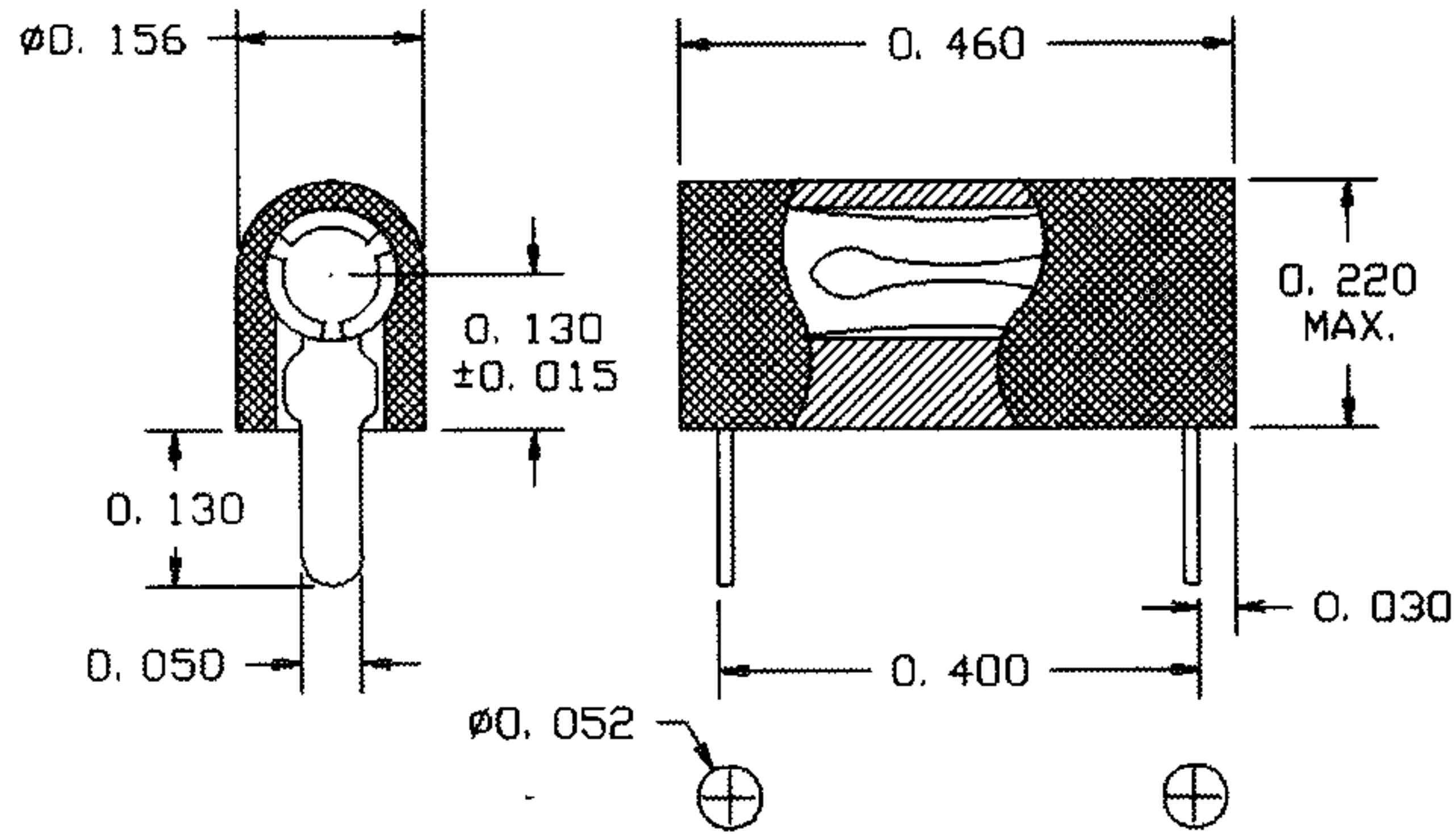


RIGHT ANGLE TEST POINT P.C. JACKS, SIDE MOUNT NYLON INSULATED CLOSE ENTRY

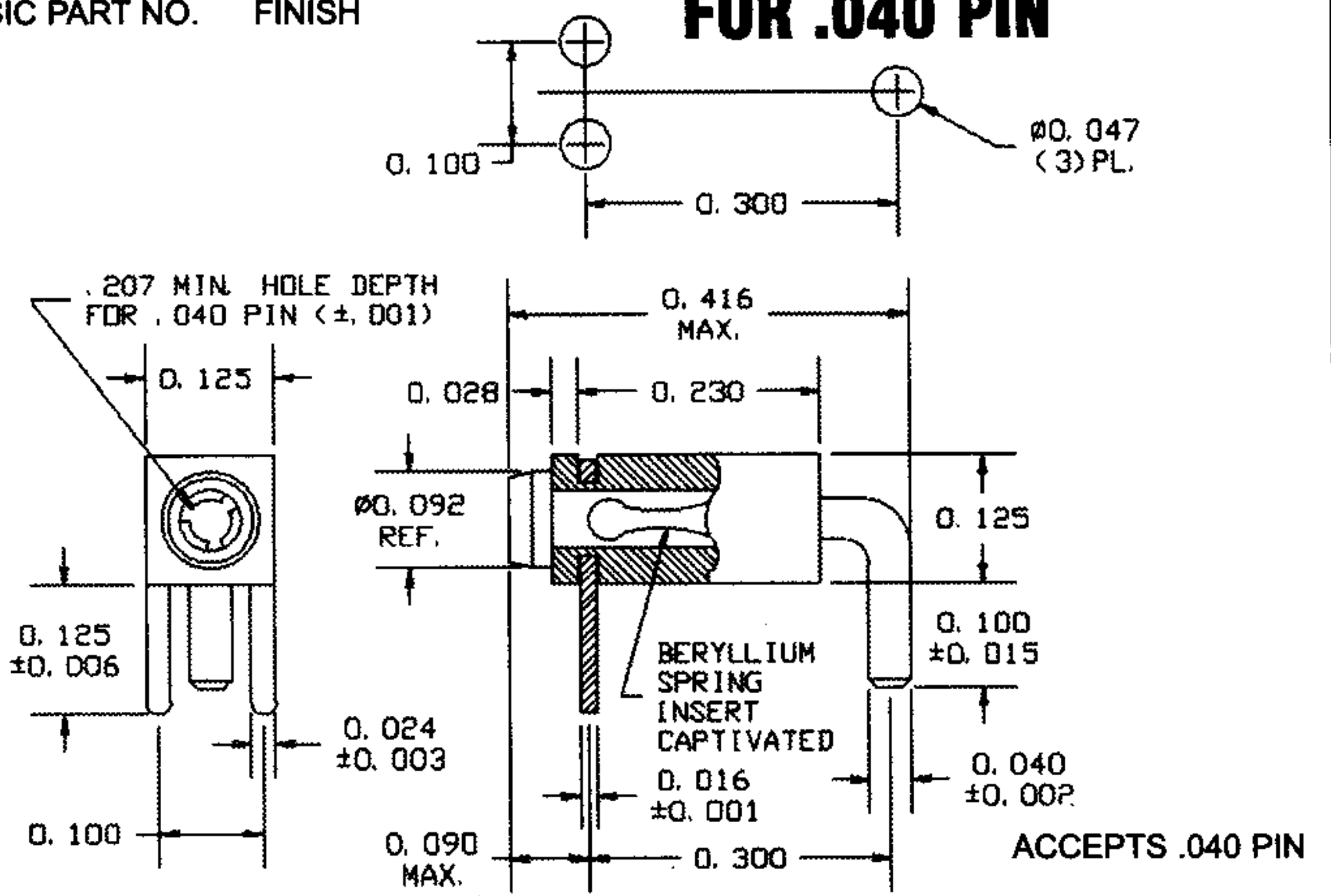
**09-9201-1-035XX MIL-J-39024/11 TEST POINT
BASIC PART NO. FINISH COLOR QUALIFIED PRODUCTS LISTED**

**(QPL'ED)
JACK FOR .080 PIN**



ACCEPTS .080±.001 PROBE BOARD THICKNESS 1/16
PART NO. INSULATION (NYLON) SPRING (BERYLLIUM COPPER)
09-9201-1-035XX see color chart below Gold

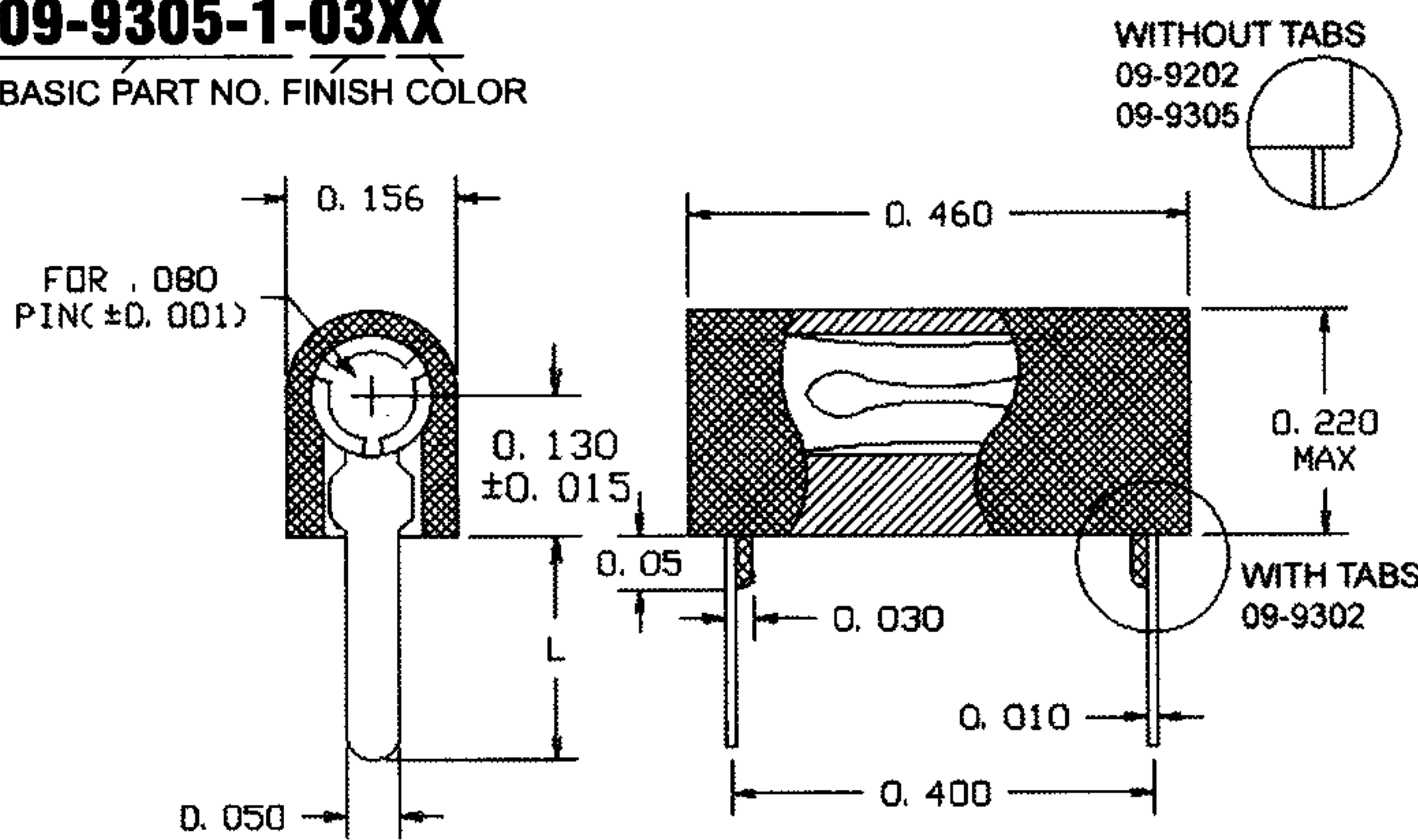
**09-9064-1-XX TEST POINT P.C. JACK
BASIC PART NO. FINISH FOR .040 PIN**



PART NO. BODY (BRASS) SPRING (BERYLLIUM COPPER)
09-9064-1-03 Gold Gold
04 Electro Tin Electro Tin
06 Electro Tin Gold
063 Bright Tin-Lead Gold
088 Bright Tin-Lead Bright Tin-Lead

**09-9202-1-03XX TEST POINT P.C. JACK FOR
09-9302-1-03XX .080 PIN
09-9305-1-03XX**

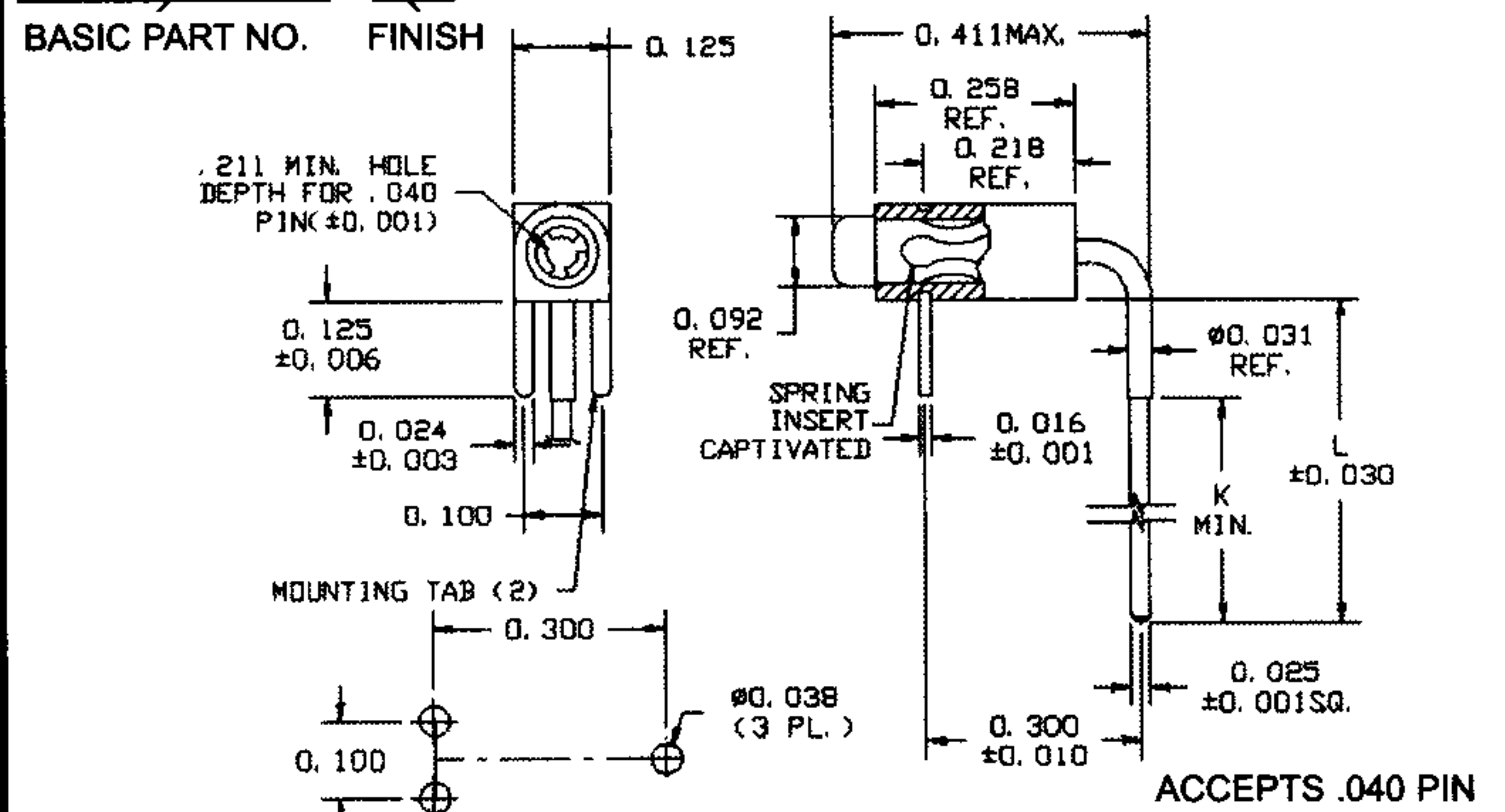
BASIC PART NO. FINISH COLOR



PART NO.	L	BOARD THK.
09-9202-1-03XX	.130	1/16
09-9302-1-03XX	.219	1/8
09-9305-1-03XX	.219	1/8

WITHOUT TABS 09-9202
WITH TABS 09-9302
UNLESS OTHERWISE SPECIFIED .XXX=±.010, ACCEPTS .080±.001 PIN

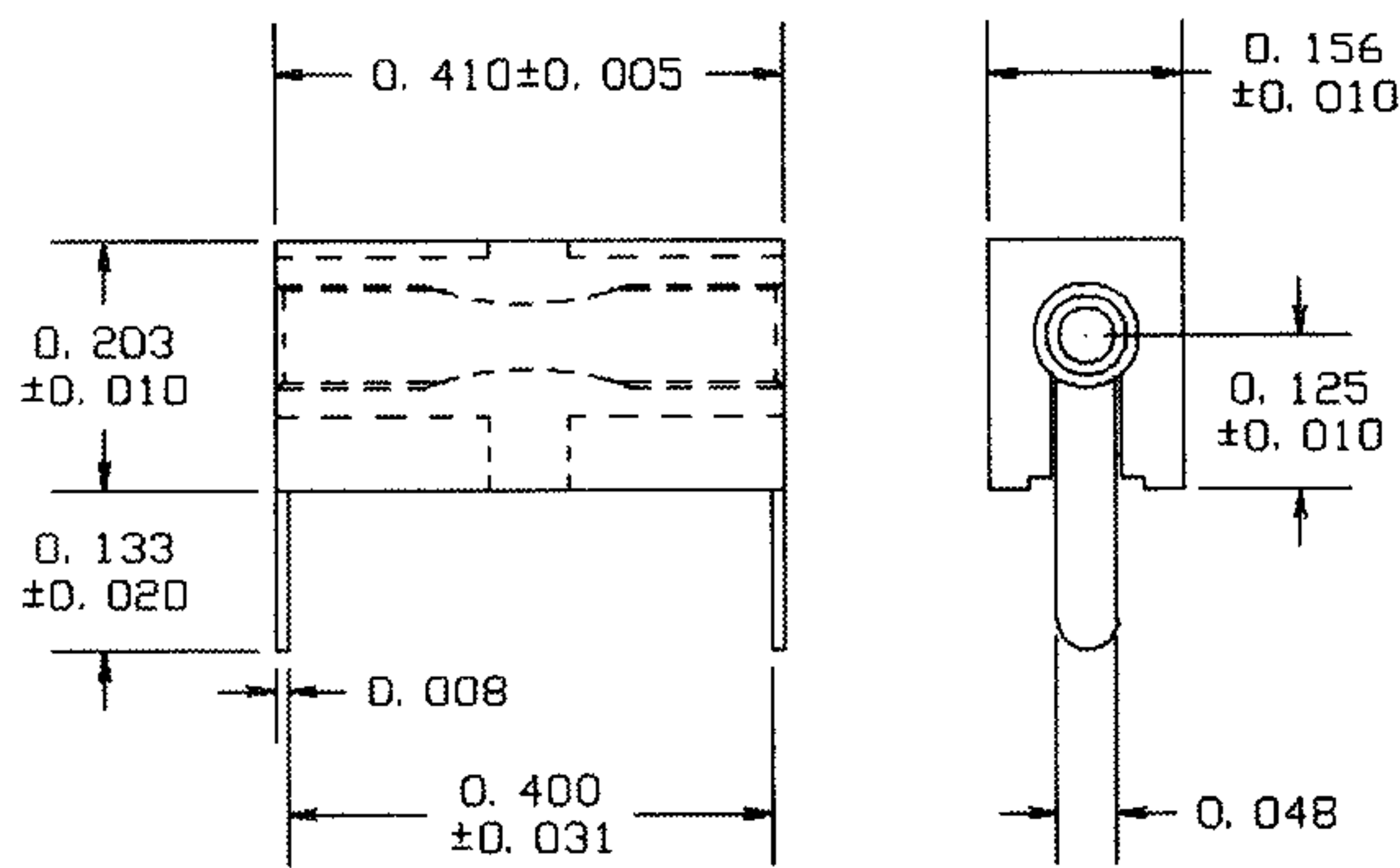
**09-9065-1-XX TEST POINT P.C. JACK
09-9088-1-XX FOR .040 PIN - SQUARE WRAP**



PART NO. BODY (BRASS) SPRING (BERYLLIUM COPPER)
09-90XX-1-03 Gold Gold
04 Electro Tin Electro Tin
06 Electro Tin Gold
063 Bright Tin-Lead Gold
088 Bright Tin-Lead Bright Tin-Lead

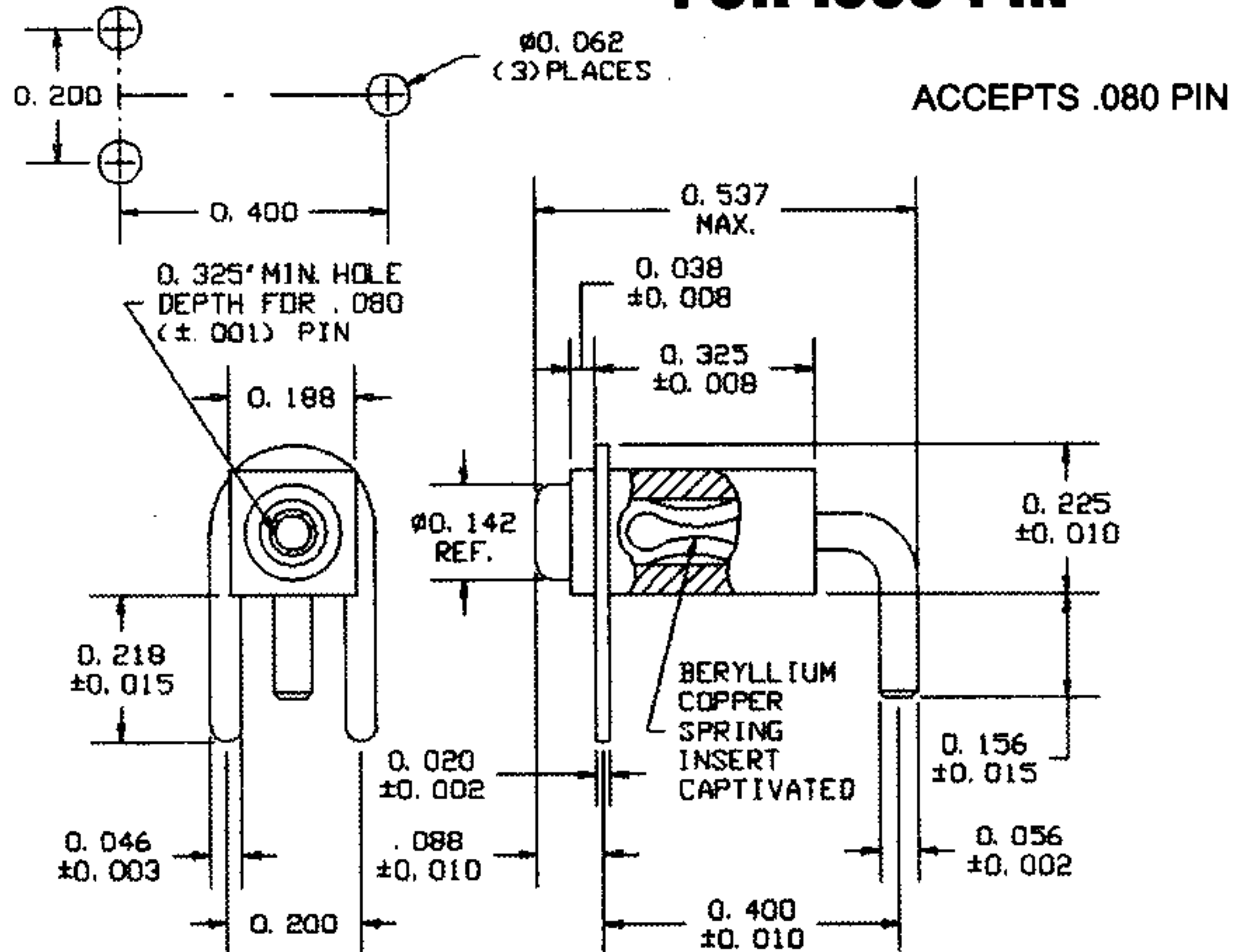
PART NO.	L	K
09-9065-1-XX	.700	.570
09-9088-1-XX	.430	.390

**21-9205-1-XX XX TEST POINT P.C. JACK
BASIC PART NO. FINISH COLOR FOR .080 PIN
PROBE ACCESS FROM BOTH ENDS OR TOP**



UNLESS OTHERWISE SPECIFIED .XXX=±.010 ACCEPTS .080±.001 PIN
PART NO. INSULATION (NYLON) SPRING (BERYLLIUM COPPER)
21-9205-1-03 See color chart below Gold
04 Electro Tin Electro Tin
088 See color chart below Bright Tin-Lead

**09-9094-1-XX TEST POINT P.C. JACK
BASIC PART NO. FINISH FOR .080 PIN**



PART NO. BODY (BRASS) SPRING (BERYLLIUM COPPER)
09-9094-1-03 Gold Gold
04 Electro Tin Electro Tin
06 Electro Tin Gold
063 Bright Tin-Lead Gold
088 Bright Tin-Lead Bright Tin-Lead

FOR ADDITIONAL SIZES AND MATERIALS, CONTACT FACTORY

BLK	BRN	RED	ORN	YEL	GRN	BLU	PUR	GRY	WHT
10	11	12	13	14	15	16	17	18	19

800-847-4162 (Outside N.Y.S.)
Ph: 212-777-6571 Fax: 212-991-0161
sales@concord-electronics.com
engineering@concord-electronics.com

