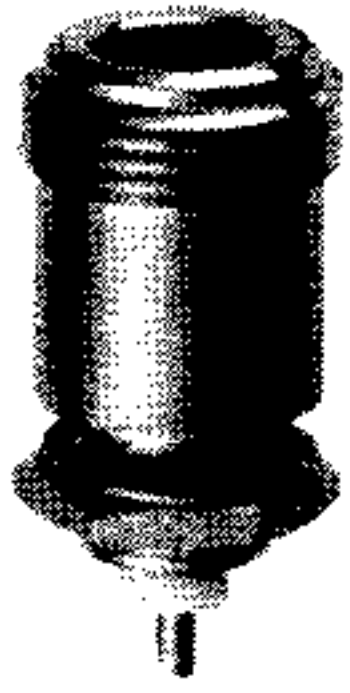


# BULKHEAD RECEPTACLES

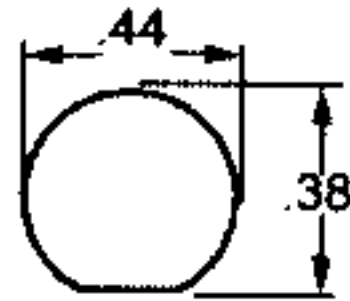
## TYPE "N" FEMALE BULKHEAD RECEPTACLE



**800-2470-03**

PTFE insulator.  
Gold plated beryllium copper  
center contact

50 OHM  
1000 VRMS



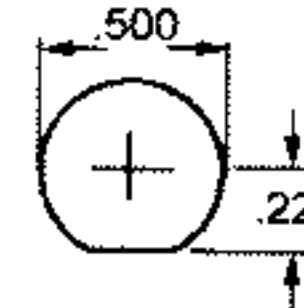
## TNC ISOLATED GROUND FEMALE BULKHEAD RECEPTACLE



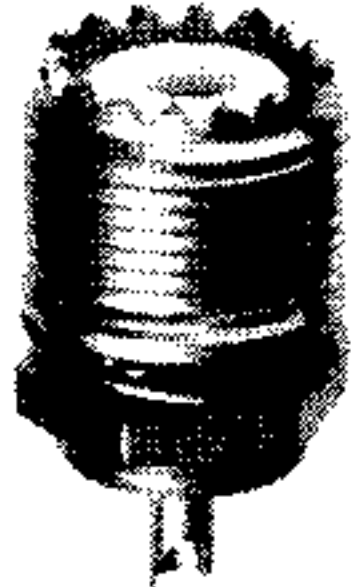
**800-2474-03**

PTFE insulator.  
Gold plated beryllium copper  
center contact. Mount in panel up to .17 thick.

50 OHM  
500 VRMS



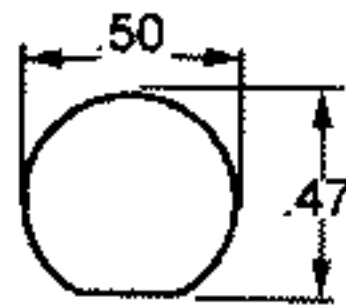
## UHF FEMALE BULKHEAD RECEPTACLE



**800-2472-03**

PTFE insulator.  
Gold plated center contact

50 OHM  
500 VRMS



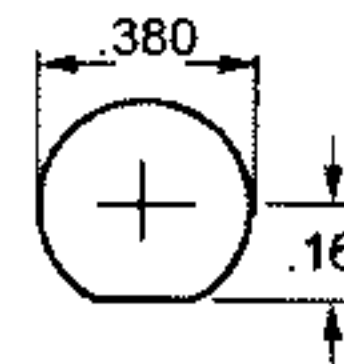
## TNC FEMALE BULKHEAD RECEPTACLE



**800-2473-03**

PTFE insulator.  
Gold plated beryllium copper center contact  
Mounts in panels up to .13 thick.

50 OHM  
500 VRMS



## TWINAXIAL & TRIAXIAL CONNECTORS

### SPECIFICATIONS

#### BODIES AND FITTINGS:

Tarnish Resistant Brass ASTM B16  
Alloy C36000, 1/2 Hard

#### INSULATION:

PTFE per ASTM D1710

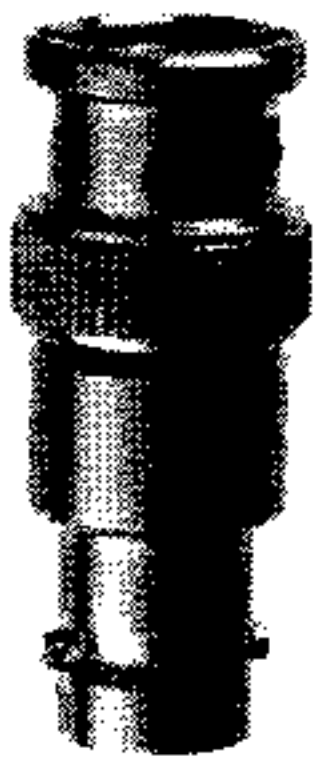
#### CENTER CONTACTS:

Female- Gold plated Beryllium Copper per ASTM B196  
Male- Gold plated Brass per ASTM B16  
Alloy C36000, 1/2 hard

#### OUTER CONTACT:

Beryllium per ASTM B196

## BNC FEMALE TO TRIAXIAL MALE



**800-2488-03**

500 VRMS

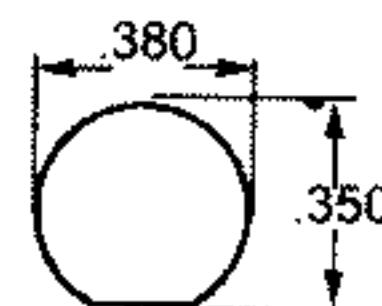
## TRIAxIAL HERMETIC SEALED BULKHEAD FEMALE



**800-2489-03**

Gasket seal will with-  
stand 50 PSI

500 VRMS



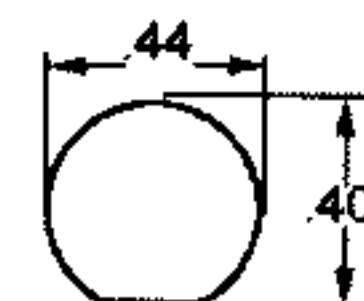
## TRIAxIAL BULKHEAD FEMALE



**800-2498-03**

3 Lug  
Mounts in panel up  
to .122 thick.

500 VRMS

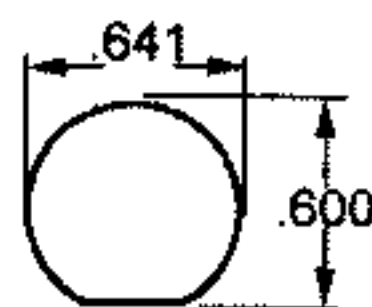


## TRIAxIAL ISOLATED GROUND FEMALE BULKHEAD RECEPTACLE



**800-2491-03**

500 VRMS



## TRIAxIAL MALE CABLE PLUG FOR TRIAX CABLE



**800-2492-03** (2 LUG)

**800-2499-03** (3 LUG)

M17/134-00001,  
M17/134-00002  
Cable or commercial equivalent  
500 VRMS

