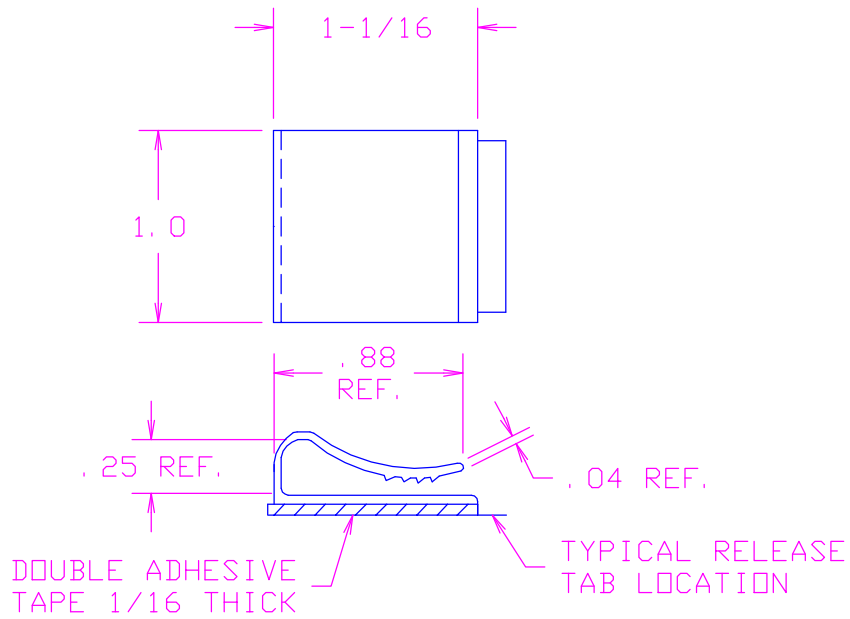


DATE	SYM	REVISION RECORD	AUTH.	DR.	CK.
10/11/96	-	ISSUED		NT	MH
3/21/03	1	ADDED MATERIAL THICKNESS	JL	NT	JL



MATERIAL: NORYL (WHITE)

TOLERANCES (EXCEPT AS NOTED)	CONCORD ELECTRONICS CORPORATION		
DECIMAL + -	P/N	SCALE	30 GREAT JONES ST. NEW YORK N. Y. 10012
FRACTIONAL + -	TITLE CABLE CLAMP		
ANGULAR + -	DATE 10-11-96	DRAWING NUMBER 770-4411	