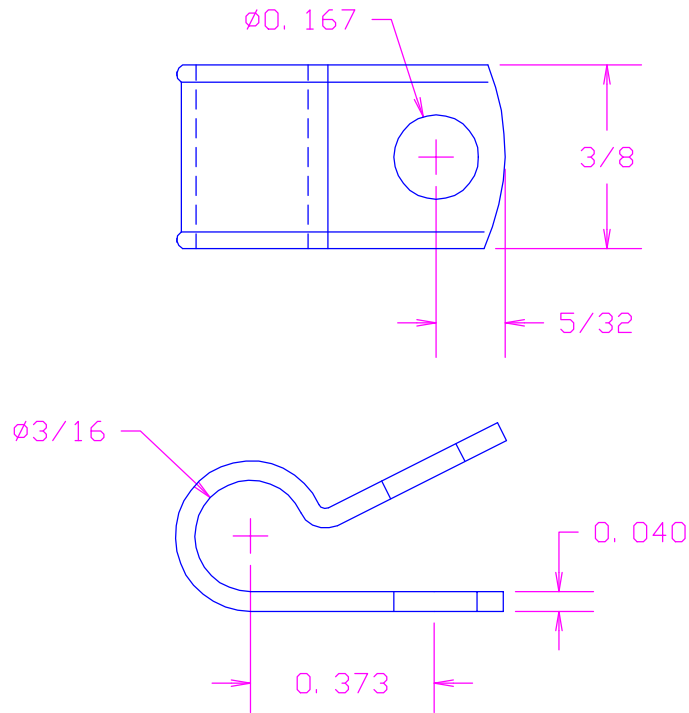
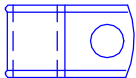


DATE	SYM	REVISION RECORD	AUTH.	DR.	CK.
7/16/98	-	ISSUED		NT	MM



MATERIAL: NYLON

ACTUAL SIZE



TOLERANCES	CONCORD ELECTRONICS CORPORATION		
DECIMAL $\pm .010$	P/N	SCALE	30 GREAT JONES ST. NEW YORK N. Y. 10012
FRACTIONAL $\pm 1/64$	TITLE CABLE CLAMP		
\pm $-$	DATE 7-16-98	DRAWING NUMBER 770-1602	