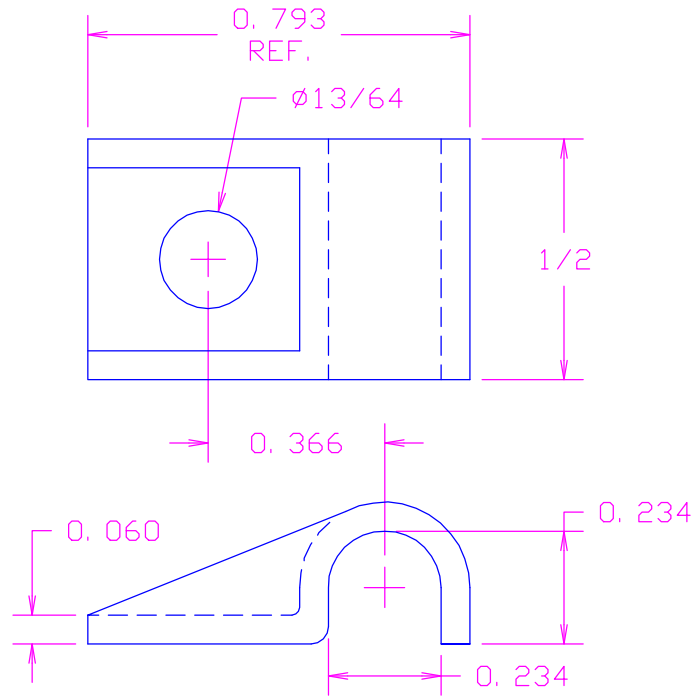
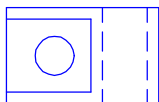


DATE	SYM	REVISION RECORD	AUTH.	DR.	CK.
4/9/03	-	ISSUED	JL	NT	JL



MATERIAL: NYLON
WIRE SIZE: 1/4

ACTUAL SIZE



TOLERANCES (EXCEPT AS NOTED)	CONCORD		ELECTRONICS CORPORATION
DECIMAL + - .010	P/N	SCALE	30 GREAT JONES ST. NEW YORK N. Y. 10012
FRACTIONAL + -	TITLE "HALF" CABLE CLAMP		
ANGULAR + -	DATE 4/4/03	DRAWING NUMBER 770-1403	