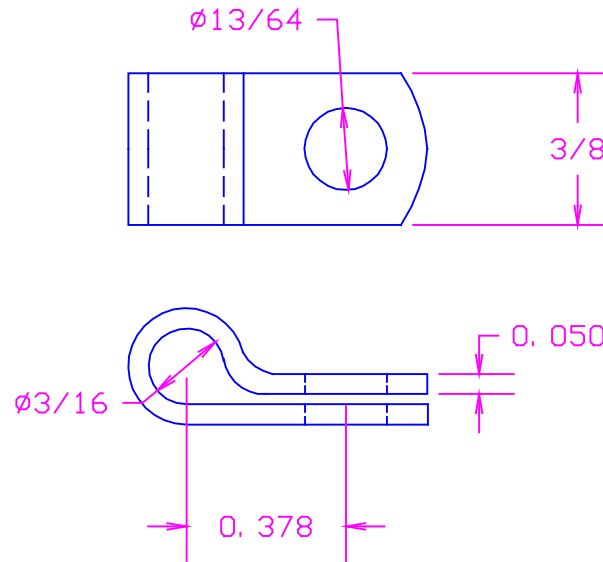


DATE	SYM	REVISION RECORD	AUTH.	DR.	CK.
3/23/99	-	ISSUED		NT	MM
3/25/03	1	ADDED ALL COLORS	JL	NT	JL



MATERIAL; NYLON

COLOR(XX)- (10)BLACK

(19)WHITE

TOLERANCES	CONCORD ELECTRONICS CORPORATION		
DECIMAL $\pm .005$	P/N	SCALE	30 GREAT JONES ST. NEW YORK N. Y. 10012
FRACTIONAL $\pm 1/64$	TITLE CABLE CLAMPS		
ANGULAR \pm	DATE 9-18-97	DRAWING NUMBER 770-1302-XX	