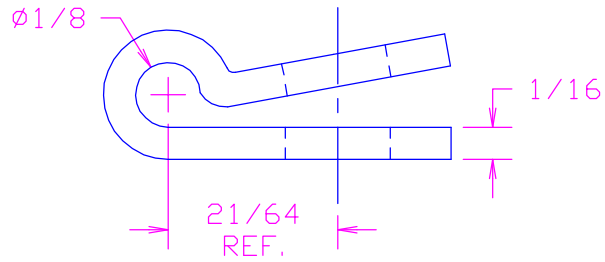
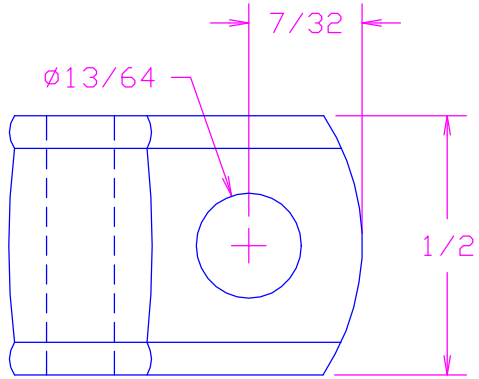
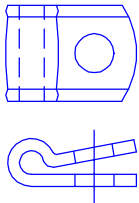


DATE	SYM	REVISION RECORD	AUTH.	DR.	CK.
4/4/03	-	ISSUED	JL	NT	JL



MATERIAL: PROPIONATE (AMBER COLOR)

ACTUAL SIZE



TOLERANCES (EXCEPT AS NOTED)	CONCORD		ELECTRONICS CORPORATION
DECIMAL \pm -	P/N	SCALE	30 GREAT JONES ST. NEW YORK N. Y. 10012
FRACTIONAL $\pm 1/64$ -	TITLE AMBER CABLE CLAMP		
ANGULAR \pm -	DATE 4/3/03	DRAWING NUMBER 770-1101	