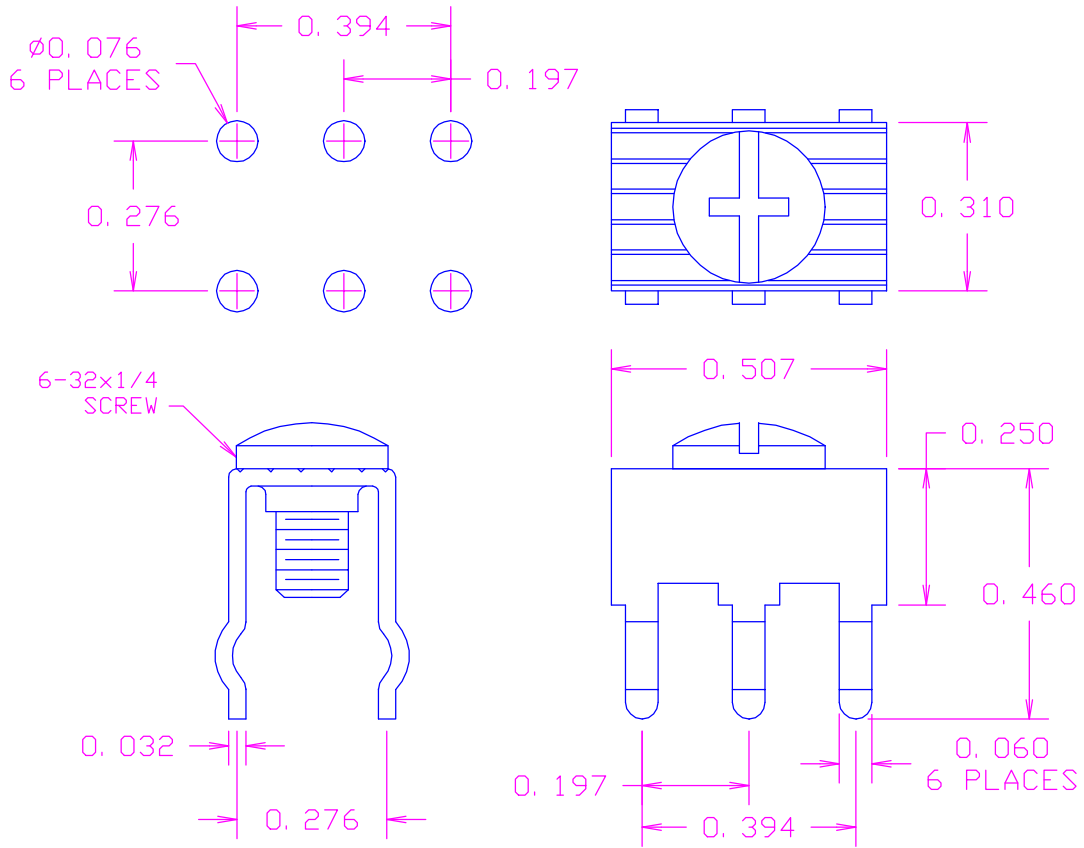


DATE	SYM	REVISION RECORD	AUTH.	DR.	CK.
3/28/03	-	ISSUED	IK	NT	IK

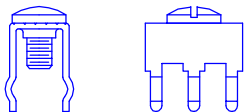
MOUNTING HOLE



MATERIAL: TERMINAL- BRASS, TIN PLATED
 SCREW BINDING HEAD- BRASS, NICKEL PL.
 (SCREW INSTALLED & CAPTIVATED)

RATED: 30 Amp.

ACTUAL SIZE



TOLERANCES (EXCEPT AS NOTED)	CONCORD		ELECTRONICS CORPORATION
DECIMAL + .010 -	P/N	SCALE	30 GREAT JONES ST. NEW YORK N. Y. 10012
FRACTIONAL + -	TITLE PCB SCREW TERMINAL		
ANGULAR + -	DATE 11/14/02	DRAWING NUMBER 707-1916	