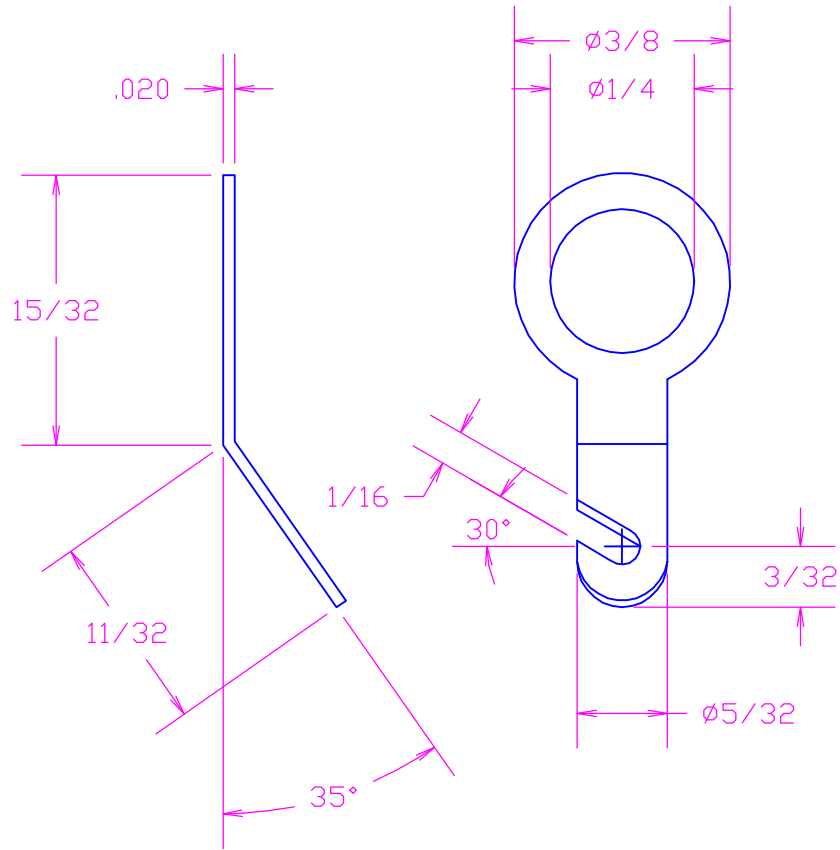


DATE	SYM	REVISION RECORD	AUTH.	DR.	CK.
5/2/96	-	ISSUED		NT	AT



MATERIAL: BRASS
FINISH: ELECTRO-TIN

ACTUAL SIZE



TOLERANCES (EXCEPT AS NOTED)	CONCORD ELECTRONICS CORPORATION		
DECIMAL $\pm .005$	P/N	SCALE 3:1	30 GREAT JONES ST. NEW YORK N.Y. 10012
FRACTIONAL $\pm 1/64$	TITLE ANGLE SOLDER TERMINAL		
ANGULAR $\pm 2^\circ$	DATE 5-2-96	DRAWING NUMBER 707-1772	