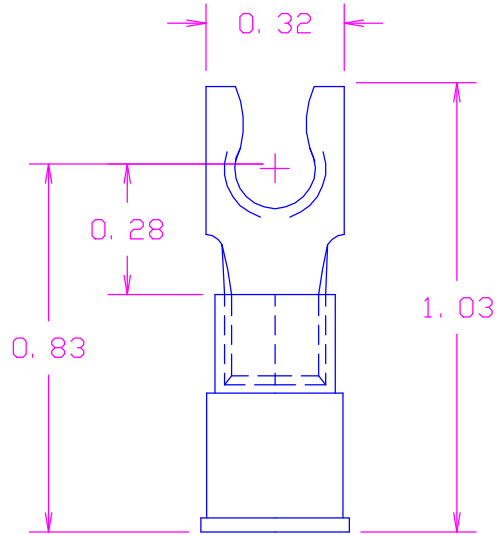
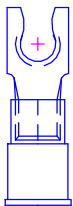


DATE	SYM	REVISION RECORD	AUTH.	DR.	CK.
2/19/04	-	ISSUED	JL	NT	JL



MATERIAL: TERMINAL- COPPER, .040" THICKNESS  
INSULATION- VINYL (YELLOW)  
WIRE RANGE: 12-10  
STUD SIZE: 10  
MAX. WIRE INSULATION DIA.: .250

ACTUAL SIZE



TOLERANCES (EXCEPT AS NOTED)	CONCORD		ELECTRONICS CORPORATION
DECIMAL +	P/N	SCALE	30 GREAT JONES ST. NEW YORK N. Y. 10012
FRACTIONAL +	TITLE SNAP-SPADE TERMINAL		
ANGULAR +	DATE 2/17/04	DRAWING NUMBER 701-2692	