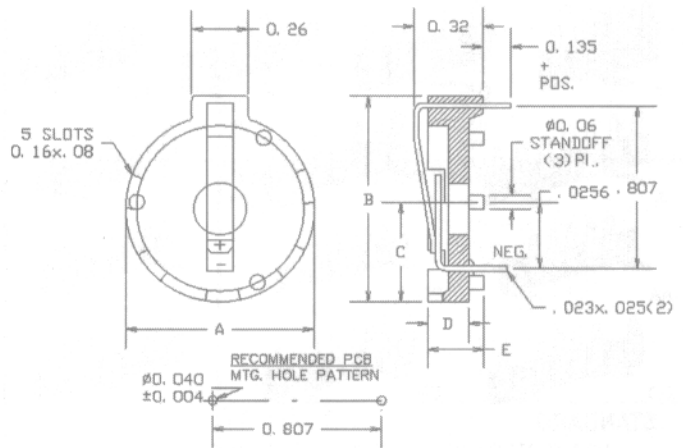
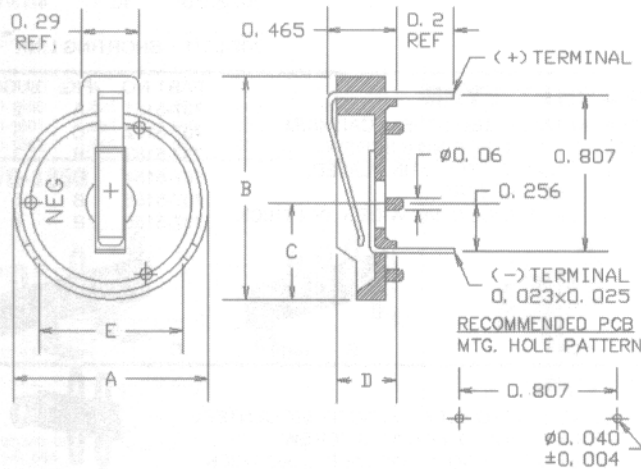


# BATTERY HOLDER, LITHIUM COIN CELL

## FEATURES AND BENEFITS

- **COMPATABILITY WITH EXISTING BOARD LAYOUTS**- The tails fit .036" minimum finished diameter plated-through holes.
- **EASE OF USE** - The tip of the positive (top) contact is located in from the edge to ease battery installation. Also, wide slots are provided around periphery for easier removal.
- **BERYLLIUM COPPER** - Use of fully heat-treated beryllium copper for the positive contact provides several benefits:
  - Excellent electrical conductivity.
  - Totally non-magnetic- an important design consideration when near sensitive chips.
  - High contact force with low stress-relaxation.
- **CONTACT DESIGN**- Both contacts are at a defined point, concentrating the spring normal force at the contact points.
- **THESE NEW BATTERY HOLDERS PROVIDE A SUPERIOR LEVEL OF RELIABLE, LONG-TERM PERFORMANCE.**



PART NO.	BATTERY	DIMENSIONS (mm/inches)				
		A	B	C	D	E
799-2023	BR 2325	25.65/1.010	28.83/1.135	12.83/505	10.16/400	15.2/60

PART NO.	DIMENSIONS (mm/inches)				
	A	B	C	D	E
799-2001	22.86/900	27.431/1.08	11.43.450	4.95/195	6.86/270
799-2002	25.40/1.00	28.78/1.13	12.70/500	4.32/170	6.99/275
799-2003	25.40/1.00	28.78/1.13	12.70/500	4.32/170	6.99/275
799-2004	26.67/1.050	29.46/1.16	13.34/525	4.32/170	6.99/275
799-2007	26.67/1.050	29.46/1.16	13.34/525	4.32/170	6.99/275
799-2008	26.67/1.050	29.46/1.16	13.34/525	4.32/170	6.99/275

## SPECIFICATIONS

- **Housing Material:** Glass filled polyester, UL flammability rating 94 V-O. Color, black.
- **Contact Material:** Positive- fully hardened Be Cu  
Negative- hard brass  
Finish- 50µ" (1.27 µ m) min. nickel all-over
- **Operating Temperature:** 55°C to +140°C
- **Quality:** Zero defect
- **Batteries:** Accepts two lithium coin cells in series (Dual Cell Type)

## BATTERY HOLDER SELECTION GUIDE

BATTERY HOLDER PART NO.	GE SANYO VARTA	UNION CARBIDE (EVEREADY)	PANASONIC RAYOVAC	SAFT	DURACELL
799-2001	CR-2032	CR 2032	BR 2032 CR 2032		DL 2032
799-2002	CR 2025	CR 2025	CR 2025		DL 2025
799-2003	CR 2016	CR 2016	BR 2016 BR 2020 CR 2016	LM 2020	DL 2016
799-2004			BR 2325 BR 2330		
799-2005	CR 2316		BR 2320		
799-2007	CR 2430			LM 2425	DL 2430
799-2008	CR 2420				DL 2420