

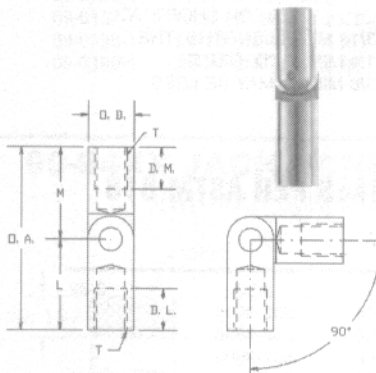
HINGED STANDOFFS

HINGED STANDOFFS, FEMALE THREAD 5XX-7XXX-072 BRASS PER ASTM B16

BASIC PART NO. FINISH†

5XX-4XXX-072 BRASS PER ASTM B16

BASIC PART NO. FINISH†

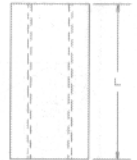
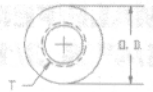


HINGED

PART NO.	O.D.	T	L	M	DM	DL	O.A.
555-7001†	3/16	4-40	.375	.375	.172	.172	3/4
555-7002†	3/16	4-40	.625	.375	.172	.250	1
555-4016*	3/16	4-40	.625	.625	.250	.250	1-1/4
555-7003†	1/4	6/32	.375	.375	.172	.172	3/4
555-7004†	1/4	6-32	.625	.375	.172	.250	1
555-4017*	1/4	6-32	.625	.625	.250	.250	1-1/4
555-7005†	1/4	8-32	.375	.375	.172	.172	3/4
555-7006†	1/4	8-32	.625	.375	.172	.250	1
555-4018*	1/4	8-32	.625	.625	.250	.250	1-1/4

† ADD -072 SUFFIX TO PART NUMBER FOR STANDARD ZINC WITH CLEAR PROTECTIVE COATING

SPACERS FOR FRONT OF BOARD

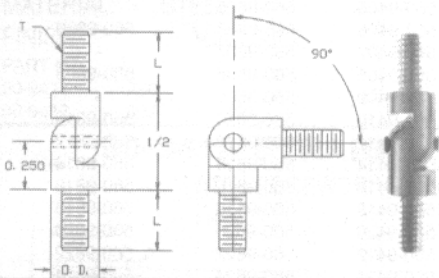


FRONT SPACER

PART NO.	L	T	O.D.
542-7412†	3/4	4-40	3/16
542-7416†	1	4-40	3/16
543-4620*	1-1/4	6-32	1/4
543-7612†	3/4	6-32	1/4
543-7616†	1	6-32	1/4
543-4620*	1-1/4	6-32	1/4
543-7812†	3/4	8-32	1/4
543-7816†	1	8-32	1/4
543-7820†	1-1/4	8-32	1/4

HINGED STANDOFFS, MALE THREAD 5XX-7XXX-072 BRASS PER ASTM B16

BASIC PART NO. FINISH†

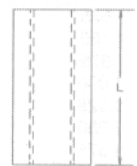
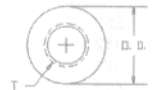


HINGED

PART NO.	O.D.	T	L	PART NO.	L	T	O.D.
555-7007†	3/16	4-40	.250	542-7408†	1/2	4-40	3/16
555-7008†	1/4	6-32	.312	543-7608†	1/2	6-32	1/4
555-7009†	1/4	8-32	.312	543-7808†	1/2	8-32	1/4

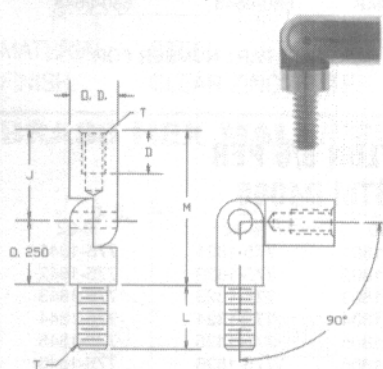
† ADD -072 SUFFIX TO PART NUMBER FOR STANDARD ZINC WITH CLEAR PROTECTIVE COATING

SPACERS FOR FRONT OF BOARD



HINGED STANDOFFS, MALE / FEMALE THREAD 5XX-7XXX-072 BRASS PER ASTM B16

BASIC PART NO. FINISH†

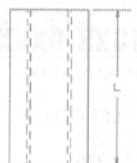
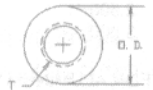


HINGED

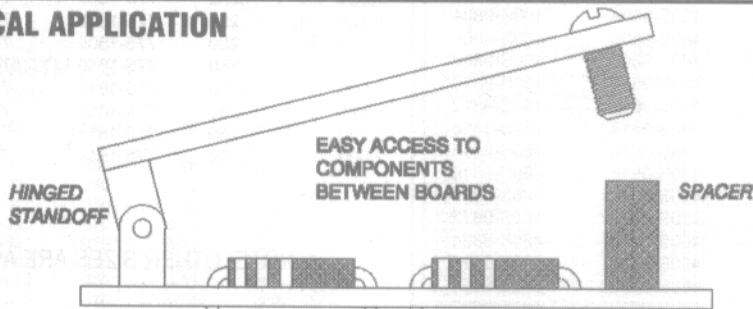
PART NO.	O.D.	T	L	D	M	J	PART NO.	L	T	O.D.
555-4010*	3/16	4-40	.250	.172	.625	.375	542-4410*	.625	4-40	3/16
555-4011*	3/16	4-40	.250	.250	.875	.625	542-4414*	.875	4-40	3/16
555-4012*	1/4	6-32	.312	.172	.625	.375	543-4610*	.625	6-32	1/4
555-4013*	1/4	6-32	.312	.250	.875	.625	543-4614*	.875	6-32	1/4
555-4014*	1/4	8-32	.312	.172	.625	.375	543-4810*	.625	8-32	1/4
555-4015*	1/4	8-32	.312	.250	.875	.625	543-4814*	.875	8-32	1/4

† ADD -072 SUFFIX TO PART NUMBER FOR STANDARD ZINC WITH CLEAR PROTECTIVE COATING

SPACERS FOR FRONT OF BOARD



TYPICAL APPLICATION



FOR ADDITIONAL SIZES AND MATERIALS, CONTACT FACTORY

CONCORD