

DESCRIPTION

8 and 11 Pin Octal Style Male Headers and Matching Enclosures

CONSTRUCTION**HEADERS**

- Molding** • High Temperature Phenolic
Pins • Brass, Bright Tin Plated

ENCLOSURES

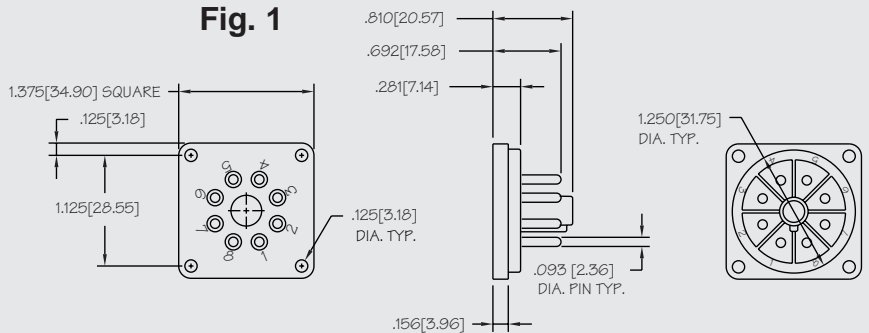
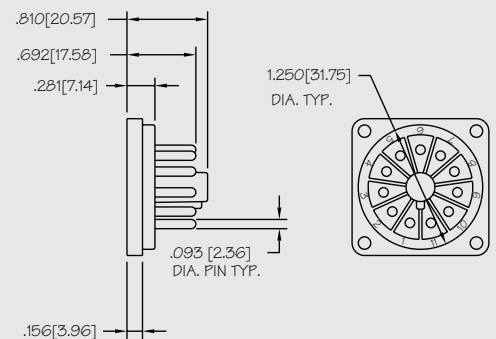
- Break Resistant Polycarbonate

COLORS

- Standard colors are listed below, consult factory for a complete color listing.

ORDERING CODE**PART NO.****DESCRIPTION**

FB08	8 Pin Octal Style Male Header (Fig. 1)
FB11	11 Pin Octal Style Male Header (Fig. 2)
FCBP	Black Enclosure (Fig. 3)
FCCP	Clear Enclosure (Fig. 3)
FCWP	White Enclosure (Fig. 3)
HMS-1	Header Mounting Screw

FB/FC SERIES**ELECTRONIC PACKAGING PRODUCTS****CUSTOM CONNECTOR****Fig. 1****Fig. 2****Fig. 3**