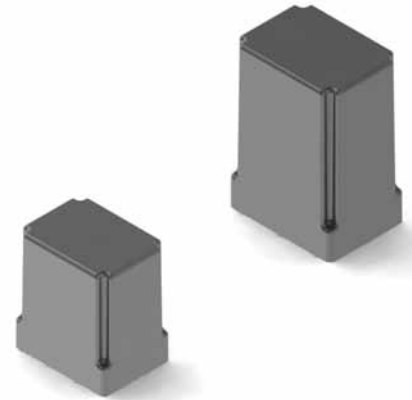


- Description** Enclosures/Dust Covers (all mate with HB Series Headers)
- Construction** • Break resistant polycarbonate
- Colors** Standard colors listed below, other colors available, consult factory
- Agency Approvals** • UL recognized, File No. E60008
 • CSA certified, File No. LR29513
 • ROHS



DC/HC/JC Series Ordering Code

Part #	Description
DCBP	Black Enclosure (Fig. 1)
DCCP	Clear Enclosure (Fig. 1)
DCWP	White Enclosure (Fig. 1)
HCBP	Black Enclosure (Fig. 2)
HCCP	Clear Enclosure (Fig. 2)
HCWP	White Enclosure (Fig. 2)
JCBP	Black Enclosure (Fig. 3)
JCCP	Clear Enclosure (Fig. 3)
JCWP	White Enclosure (Fig. 3)
HMS-1	Header Mounting Screw

Figure 1

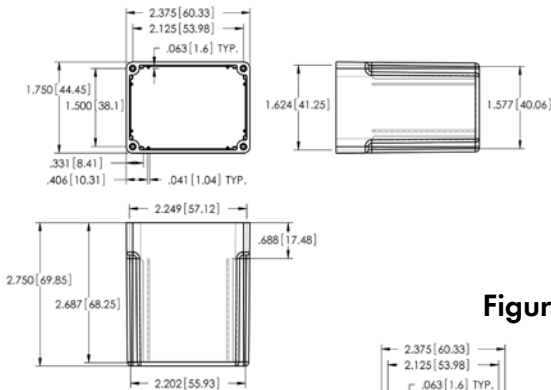


Figure 2

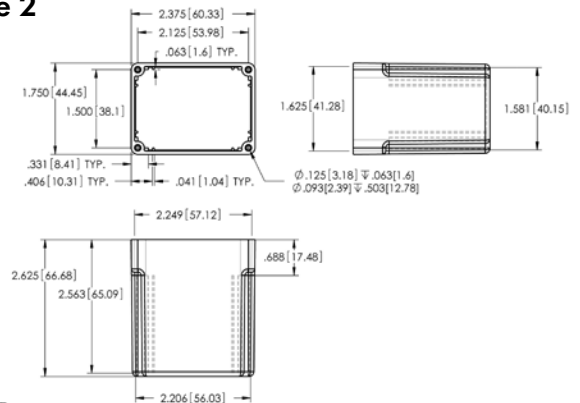


Figure 3

