



MOUNTING, PROTECTIVE, AND VALUE-ADD ACCESSORIES



Descriptive Information	2
Oil-Filled Capacitors Accessories	
Mounting Accessories	3
Protective Accessories	5
Bleed Resistors	6
Individually Boxed for Resale	7
Exterior Insulators	8
Finish Painting	9
Special Designs / Stock Models	10

Mounting, Protective, and Value-Add Accessories for Oil-Filled Capacitors

Mounting Accessories

Universal Wrap Around Brackets for both oval and round cases
Wrap Around Brackets for both oval and round cases
Footed Brackets for both oval and round cases

Protective Accessories

Rubber Boots (60C rated and 105C rated)

Bleed Resistors

All Genteq capacitors with the suffixes RS, RC, RJ and RR are furnished with a charge bleed resistor to comply with UL requirements for voltage discharge.

Individually Boxed for Resale

BX Capacitor is individually boxed for immediate shelf resale
BR Capacitor contains an attached bleed resistor and is individually boxed for immediate shelf

Exterior Insulators

HT 0.004" thick , clear skintight PVC heat-shrinkable tubing over the top cover of the capacitor
HF 0.008" thick, blue skintight PVC heat-shrinkable tubing over the cover and can of the capacitor

Finish Painting

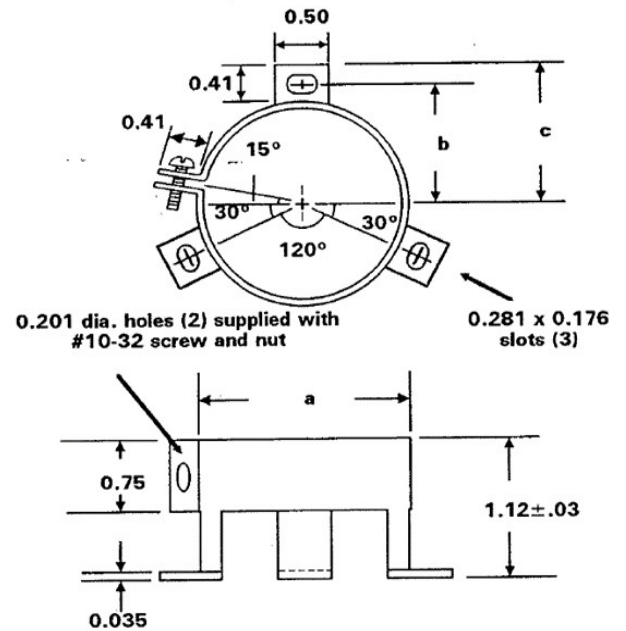
FB Fully painted capacitor – finished black
FG Fully painted capacitor – finished gray

Special Designs / Stock Models

BC D shaped mounting stud on the bottom of the capacitor can
S Capacitor is a stock model

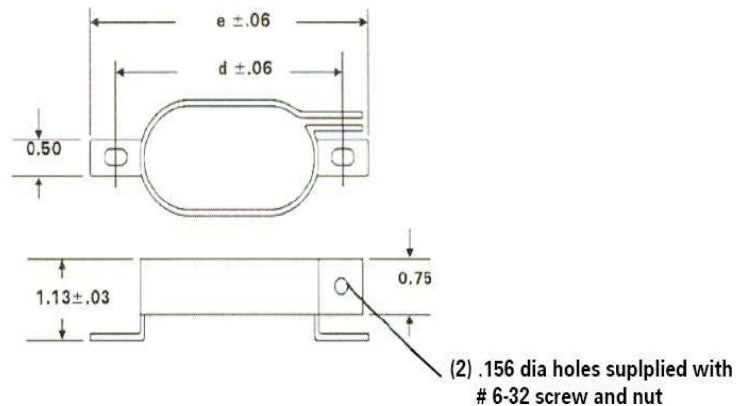
UNIVERSAL WRAP AROUND BRACKETS – Round Cases

Case Style	Bracket Part Number	a	b	c
P	M295A601631	1.75	1.12	1.31
S	M295A601632	2.00	1.25	1.44
T	M295A601633	2.50	1.50	1.69



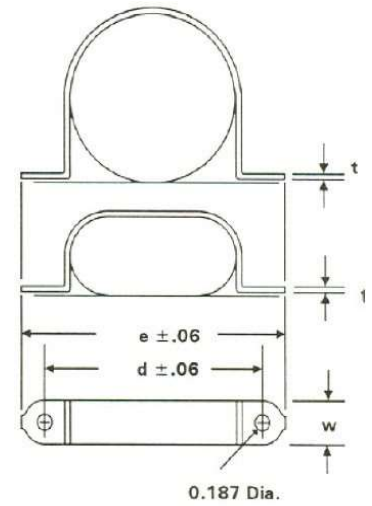
UNIVERSAL WRAP AROUND BRACKETS – Round Cases

Case Style	Bracket Part Number	d	e
A	M128A2244AC21	2.69	3.13
B	M128A2244AB25	3.27	3.70
C	M128A2244AB22	3.44	3.88
D	M128A2244AB23	4.19	4.63



WRAP AROUND BRACKETS – Oval & Round Cases

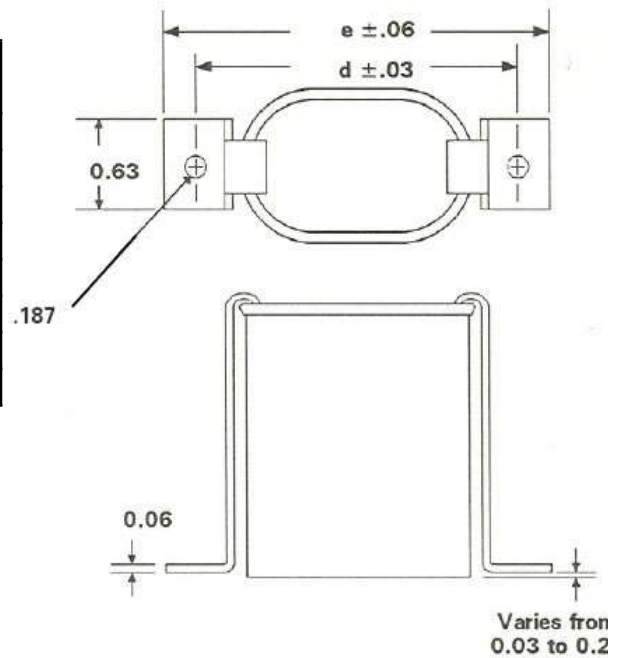
Case Style	Bracket Part Number	d	e	w	t
A	M982706521	2.56	2.94	0.50	0.02
B	M982706531	3.06	3.50	0.63	0.02
C	M614A30161	3.31	3.81	0.75	0.03
D	M614A30151	4.06	4.56	0.75	0.03
P	M279A723524	2.50	2.88	0.75	0.04
S	M279A723522	2.75	3.12	0.75	0.04
T	M279A723523	3.25	3.62	0.75	0.04



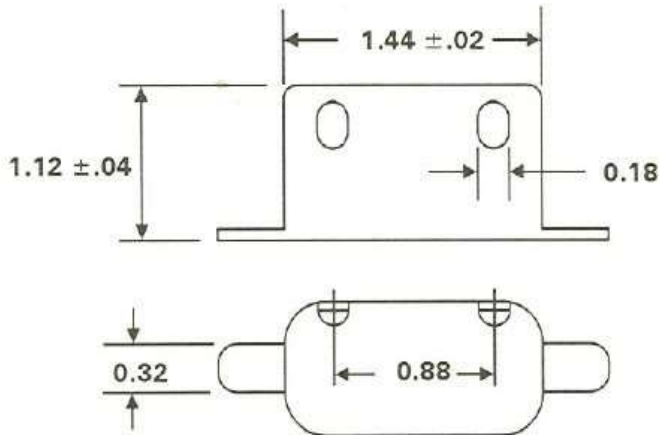
FOOTED BRACKETS - Oval & Round Cases

Case Height	Bracket Part Number
2.12	M302C920210
2.88	M302C920113
UNIVERSAL WRAP	M302C920115
4.75	M302C920116
5.75	M302C920209

Case Style	d	e
A	2.56	3.00
B	3.13	3.56
C	3.38	3.81
D	4.13	4.56
P	2.33	2.76
S	2.57	3.00
T	3.07	3.50



PROTECTIVE BOOT



Boot Part Number	Temperature Rating
M614A52721	60°C
M178A374421	105°C

BLEED RESISTORS

Case Options: Round or Oval

Suffix Options: RS, RC, RJ, RR

Part Nbr Example: 97F6622**RC**

All Capcom Capacitors with the suffixes RS, RC, RJ and RR are furnished with a charge bleed resistor to comply with UL requirements for voltage discharge

Without Bleed Resistor



W / Bleed Resistor



INDIVIDUALLY BOXED CAPACITORS

Case Options: Round or Oval

Suffix Options: BX, BR

Part Nbr Example: 27L570**BX**

BX Capacitor is individually boxed for immediate shelf resale

BR Capacitor contains an attached bleed resistor and is individually boxed for immediate shelf resale



EXTERIOR INSULATORS

Case Options: Round or Oval

Suffix Options: HT, HF

Part Nbr Example: 27L946**HT**

HT 0.004" thick , clear skintight PVC heat-shrinkable tubing over the top cover of the capacitor

HF 0.008" thick, blue skintight PVC heat-shrinkable tubing over the cover and can of the capacitor



w/ Suffix HT



Plain Model



w/ Suffix



Plain Model

FINISH PAINT

Case Options: Round or Oval

Suffix Options: FB, FG

Part Nbr Example: 97F5704**FB**

FB Fully painted capacitor – finished black

FG Fully painted capacitor – finished gray



w/ Suffix FB



Plain Model



w/ Suffix FG



Plain Model

SPECIAL DESIGNS

Case Options: Round or Oval

Suffix Options: BC

Part Nbr Example: 27L898**BC**

BC D shaped mounting stud on the bottom of the capacitor can



STOCK MODELS

Case Options: Round or Oval

Suffix Options: S

Part Nbr Example: 27L571**S**

S Capacitor is a stock model and only contains the manufacturer's part number on the capacitor product label.



Capacitors



Ampere 8755,
Parque Industrial Antonio J. Bermúdez,
Cd. Juárez, Chihuahua, CP 32470
MEXICO
Tel: +52 (656) 649 64 00
www.capcom.mx