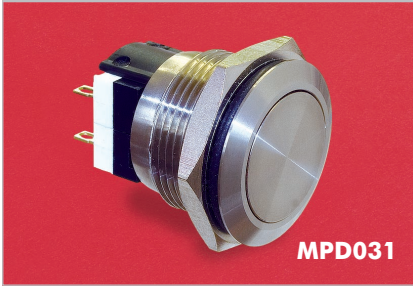
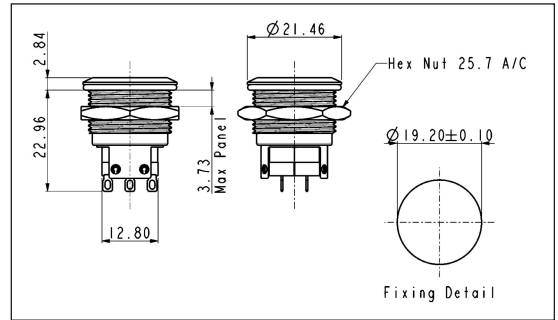


Stainless Steel Low Profile Vandal Resistant - Momentary - Double Pole

FRONT PANEL MOUNTING



- Front Panel Sealed to IP66
- 21.5mm diameter
- D.P.C.O. Microswitch
- 3A, 125V a.c.



Specification	MPD031
Terminations:	Solder Tags
Switching:	D.P.C.O. Momentary Action (Microswitch)
Max. Rating:	3A, 125V a.c.
Contact Resistance:	30-100mΩ max.
Insulation Resistance:	100MΩ min.
Dielectric Strength:	1,000V a.c.RMS
Operating Temp. Range:	-20°C to +70°C
Sealing (Front of panel only):	Protection Classification: IP66 EN60529 1992 (Micro switch not sealed)
Operations	
Mechanical:	1,000,000
Electrical:	10,000 @ 3A, 125V a.c.
Rear Nut Fixing Torque:	0.57Nm
Materials	
Mouldings:	Glass Filled Nylon
Tags/Terminations:	Brass, Tin Plated
Switch Body & Button:	Stainless Steel
Contacts:	Brass, Silver Plated
Variants:	Engraved Button, Non-Rotating Button, details on request
RoHS	Compliant