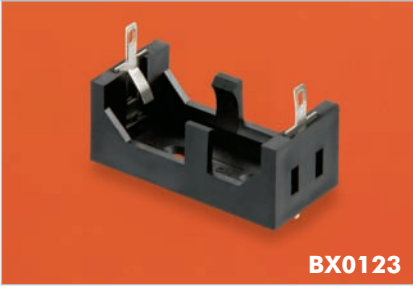
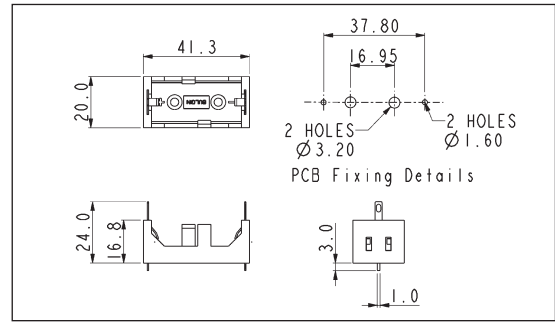


PC/Base Mounting

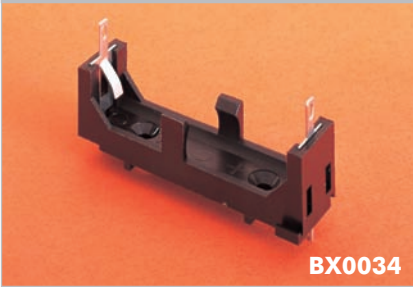
CR123 SIZE BATTERY HOLDER


BX0123

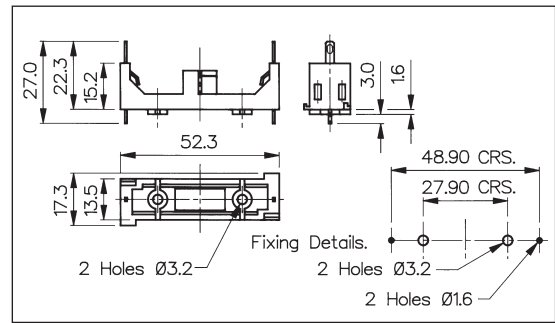
- 1 Cell
- PC/Base Mount
- Open style



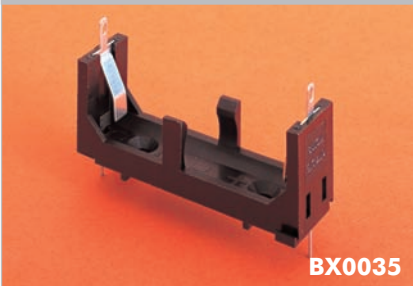
AAA SIZE BATTERY HOLDER


BX0034

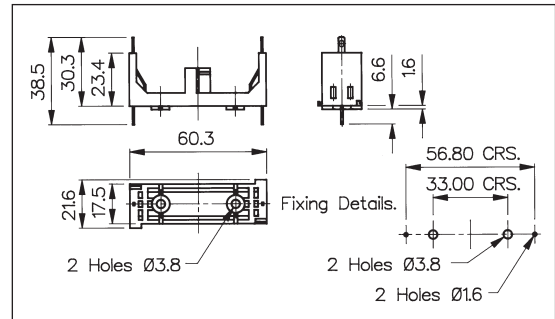
- 1 Cell
- PC/Base Mount
- Open style



AA SIZE BATTERY HOLDER


BX0035

- 1 Cell
- PC/Base Mount
- Open style



| Specification | BX0123 | BX0034 | BX0035 |
|------------------------|---|---|---|
| Battery/Cell Type: | CR123 | AAA (R03) | AA (R6) |
| No. Cells: | 1 cell | 1 cell | 1 cell |
| Terminations: | Dual connections, P.C. spills & 2.8 series tabs/solder tags. (P.C. spills may be removed if required) | Dual connections, P.C. spills & 2.8 series tabs/solder tags. (P.C. spills may be removed if required) | Dual connections, P.C. spills & 2.8 series tabs/solder tags. (P.C. spills may be removed if required) |
| Operating Temperature: | -30°C to +70°C | -30°C to +70°C | -30°C to +70°C |
| Mouldings: | Glass Filled Nylon | Glass Filled Nylon | Glass Filled Nylon |
| Contacts: | Nickel Silver, clean | Nickel Silver, clean | Nickel Silver, clean |
| Features: | | Interlocking for multiple assemblies | Interlocking for multiple assemblies |
| RoHS | Compliant | Compliant | Compliant |