

PART NAME

NEMA 4X DIE CAST ALUMINUM ENCLOSURE

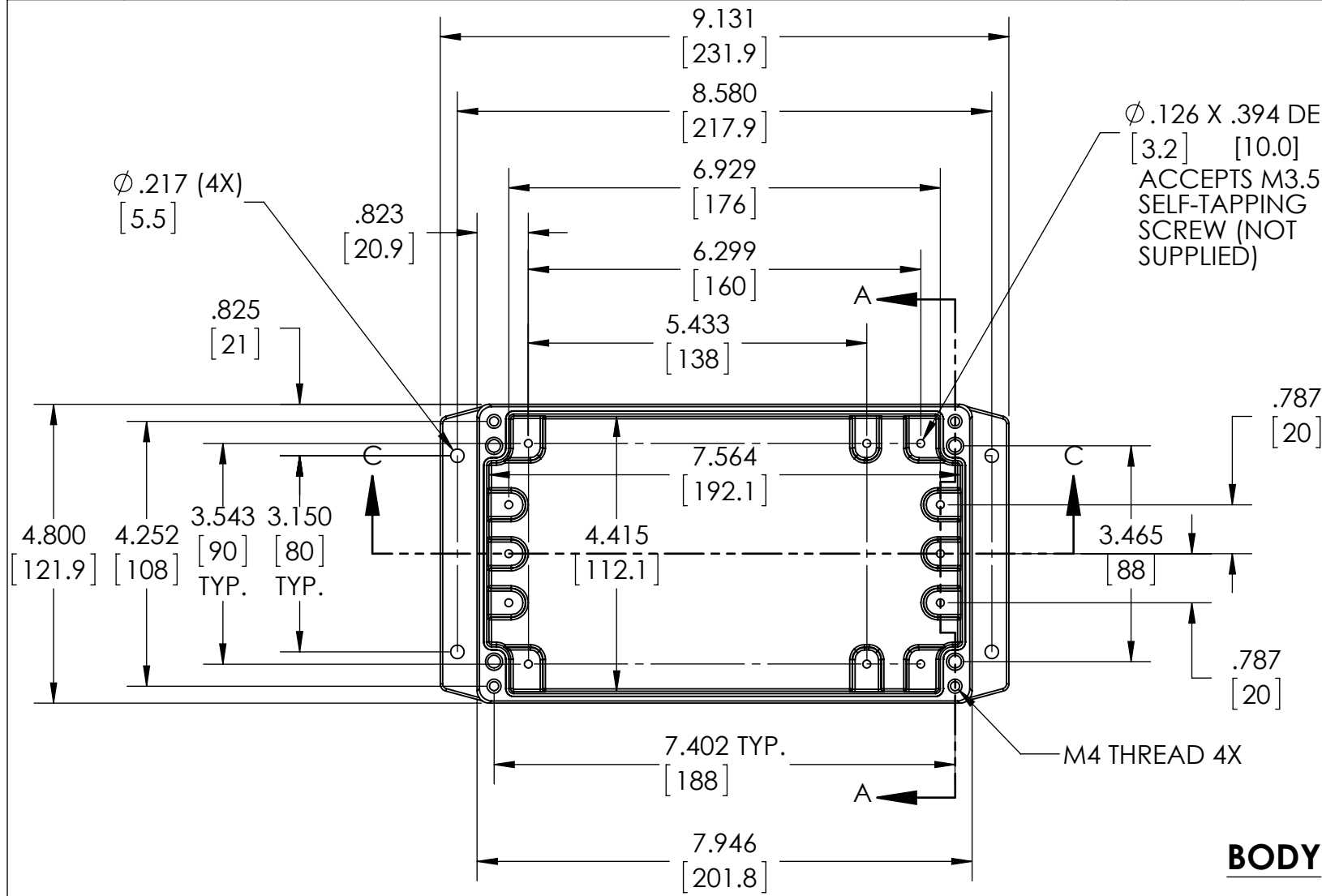
PART No.

AN-1322

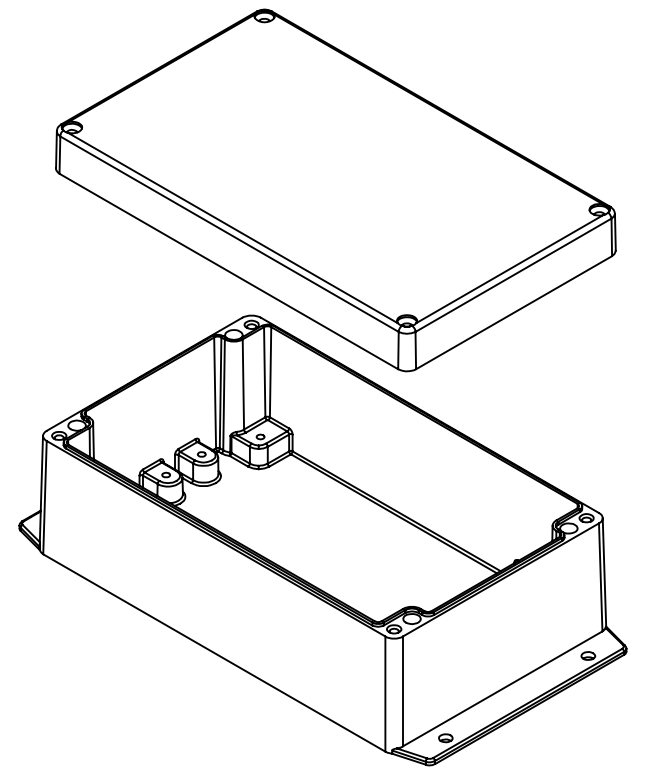
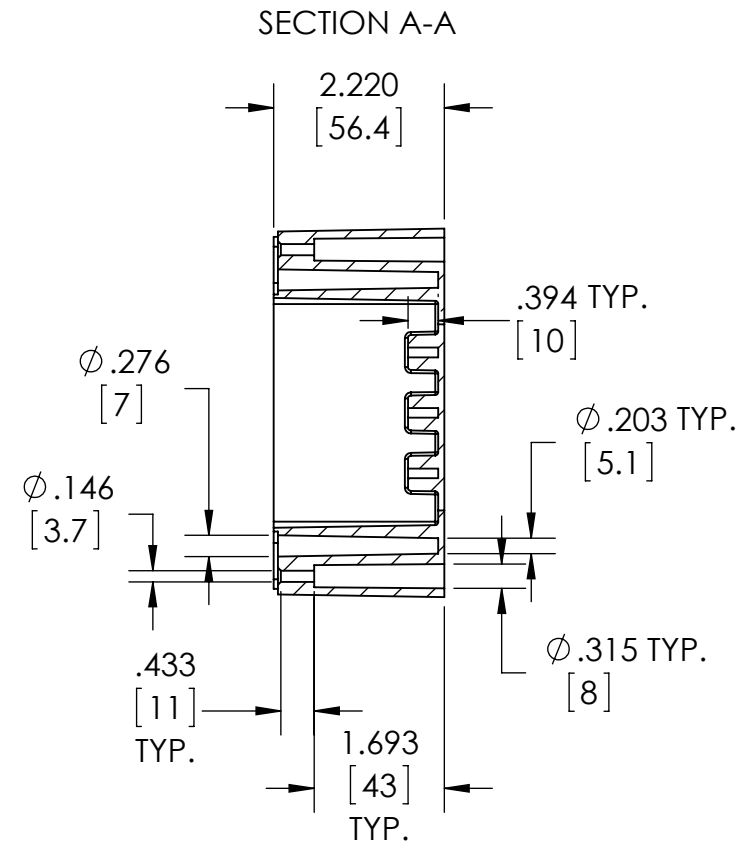
AN-1322-G

REVISION DATE

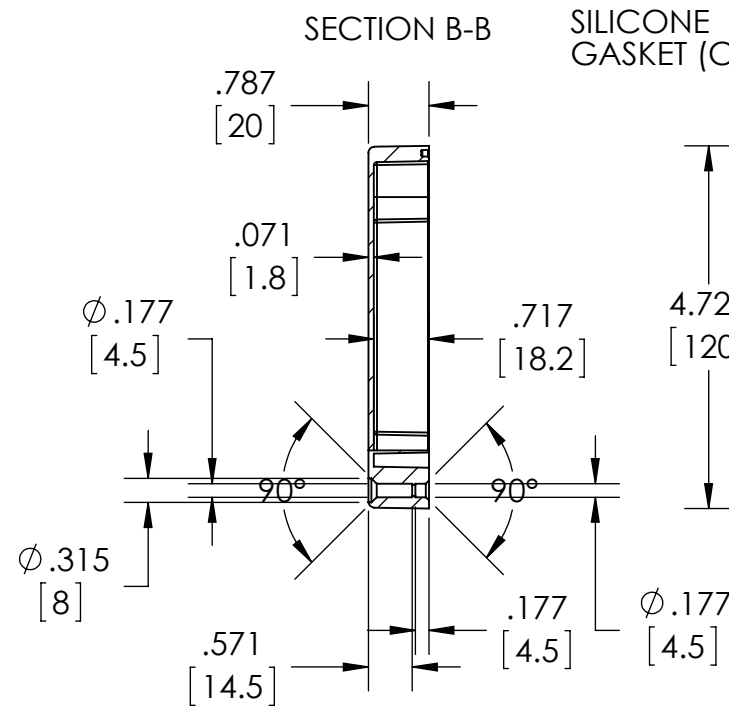
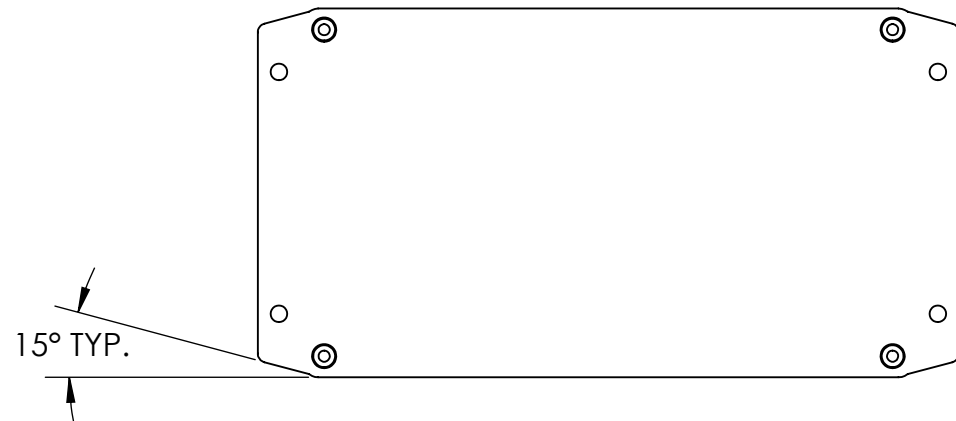
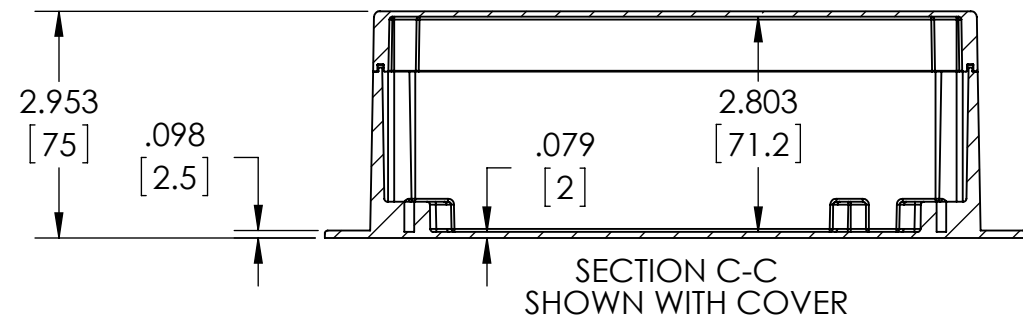
2-10-14



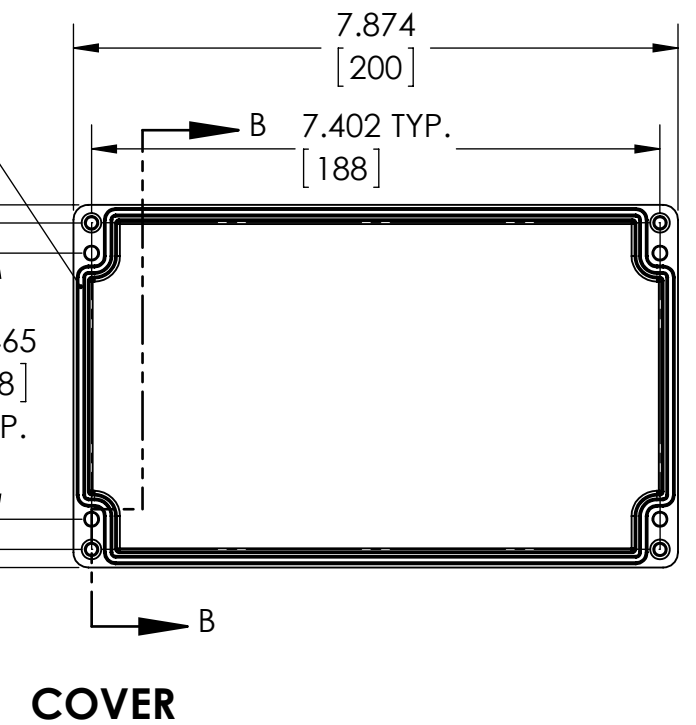
**BODY**



- NOTES:  
 1- MATERIAL: ALUMINUM ALLOY ADC-12  
 2- FINISH: NATURAL (NO SUFFIX)  
 GRAY (SUFFIX -G)  
 3- FOUR (4) M4 X 0.7mm SCREWS SUPPLIED FOR ASSEMBLY OF COVER TO BODY  
 4- ALL HOLE DIAMETERS HAVE  $\pm .005$  [.12] TOLERANCE. ALL OTHER DIMENSIONS HAVE  $\pm .015$  [.38] TOLERANCE.  
 5- ALL OUTSIDE DRAFT ANGLE:  $1^\circ$   
 ALL INSIDE DRAFT ANGLE:  $1/2^\circ$   
 6- DIMENSIONS ARE INCH[MM]



SILICONE GASKET (CLEAR)



**COVER**