



B-489 Polyester Material

Color: White **Finish: Matte**

White polyester thermal transfer material with matte finish and aggressive adhesive. Specifically designed for powder coated surfaces. A matte version of B-483.

Performance Attributes:

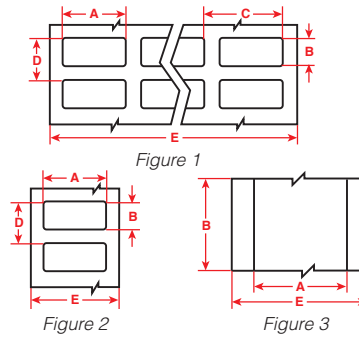


Diagram	Catalog #	Material	Color	Label Width A Inch (mm)	Label Height B Inch (mm)	Horiz. Repeat C Inch (mm)	Vert. Repeat D Inch (mm)	Web Width E Inch (mm)	Labels Per Row	Labels Per Pkg	Rec. Ribbon
Fig. 1	THT-5-489-10	Polyester	White	1.000 (25.4)	0.500 (12.7)	1.075 (27.3)	0.600 (15.2)	3.350 (85.1)	3	10,000	R4307
Fig. 1	THT-37-489-10	Polyester	White	1.500 (38.1)	0.500 (12.7)	1.650 (41.9)	0.600 (15.2)	3.350 (85.1)	2	10,000	R4307
Fig. 2	THT-17-489-3	Polyester	White	2.000 (50.8)	1.000 (25.4)	-	1.125 (28.6)	2.200 (55.9)	1	3,000	R4302
Fig. 2	THT-7-489-3	Polyester	White	2.750 (69.9)	1.250 (31.8)	-	1.375 (34.9)	2.950 (74.9)	1	3,000	R4300
Fig. 2	THT-18-489-3	Polyester	White	3.000 (76.2)	1.000 (25.4)	-	1.125 (28.6)	3.200 (81.3)	1	3,000	R4300
Fig. 2	THT-19-489-1	Polyester	White	3.000 (76.2)	2.000 (50.8)	-	2.125 (54.0)	3.200 (81.3)	1	1,000	R4300
Fig. 3	THT-21-489	Polyester	White	3.000 (76.2)	300 ft. (91.4 m)	-	300 ft. (91.4 m)	3.200 (81.3)	1	1 Roll Cont.	R4300
Fig. 2	THT-55-489-1	Polyester	White	4.000 (101.6)	2.000 (50.8)	-	2.125 (54.0)	4.200 (106.7)	1	1,000	R4307
Fig. 2	THT-76-489-1	Polyester	White	4.000 (101.6)	3.000 (76.2)	-	3.125 (79.4)	4.200 (106.7)	1	1,000	R4307



B-498 Repositionable Vinyl Cloth Material

Color: White **Finish: Semi-Gloss**

Repositionable vinyl cloth marking for wire, cable, and component marking. Adhesive and cloth backing offers excellent holding power, while easily being repositioned and removed.

Performance Attributes:

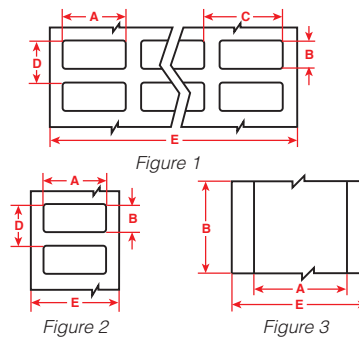


Diagram	Catalog #	Material	Color	Label Width A Inch (mm)	Label Height B Inch (mm)	Horiz. Repeat C Inch (mm)	Vert. Repeat D Inch (mm)	Web Width E Inch (mm)	Labels Per Row	Labels Per Pkg	Rec. Ribbon
Fig. 3	THT-94-498-2	Vinyl Cloth	White	0.240 (6.1)	165 ft (50.8 m)	-	-	1.000 (25.4)	1	1 Roll Cont.	R6206
Fig. 1	THT-90-498-5	Vinyl Cloth	White	0.250 (6.4)	1.437 (36.5)	0.350 (8.9)	1.562 (39.7)	2.200 (55.9)	6	5,000	R6200
Fig. 3	THT-93-498-2	Vinyl Cloth	White	0.312 (7.9)	165 ft (50.8 m)	-	-	1.000 (25.4)	1	1 Roll Cont.	R6206
Fig. 3	THT-92-498-2	Vinyl Cloth	White	0.375 (9.5)	165 ft (50.8 m)	-	-	1.000 (25.4)	1	1 Roll Cont.	R6206
Fig. 1	THT-68-498-10	Vinyl Cloth	White	0.500 (12.7)	0.750 (19.1)	0.600 (15.2)	0.850 (21.6)	2.500 (63.5)	4	10,000	R6202
Fig. 1	THT-87-498-5	Vinyl Cloth	White	0.500 (12.7)	1.437 (36.5)	0.600 (15.2)	1.562 (39.7)	3.700 (94.0)	6	5,000	R6207
Fig. 1	THT-14-498-10	Vinyl Cloth	White	0.650 (16.5)	0.200 (5.1)	0.700 (17.8)	0.300 (7.6)	2.950 (74.9)	4	10,000	R6202
Fig. 1	THT-1-498-10	Vinyl Cloth	White	0.750 (19.1)	0.250 (6.4)	0.800 (20.3)	0.350 (8.9)	3.350 (85.1)	4	10,000	R6207
Fig. 1	THT-91-498-5	Vinyl Cloth	White	0.750 (19.1)	0.937 (23.8)	0.875 (22.2)	1.062 (27.0)	3.500 (88.9)	4	5,000	R6207
Fig. 1	THT-95-498-5	Vinyl Cloth	White	0.800 (20.3)	1.437 (36.5)	0.900 (22.9)	1.562 (39.7)	2.800 (71.1)	3	5,000	R6202
Fig. 1	THT-165-498-5	Vinyl Cloth	White	0.800 (20.3)	1.437 (36.5)	0.900 (22.9)	1.562 (39.7)	3.700 (94.0)	4	5,000	R6207
Fig. 1	THT-5-498-10	Vinyl Cloth	White	1.000 (25.4)	0.500 (12.7)	1.075 (27.3)	0.600 (15.2)	3.350 (85.1)	3	10,000	R6207
Fig. 2	THT-59-498-10	Vinyl Cloth	White	1.000 (25.4)	0.500 (12.7)	-	0.600 (15.2)	1.200 (30.5)	1	10,000	R6206
Fig. 1	THT-88-498-5	Vinyl Cloth	White	1.000 (25.4)	0.750 (19.1)	1.100 (27.9)	0.875 (22.2)	2.300 (58.4)	2	5,000	R6200
Fig. 1	THT-89-498-5	Vinyl Cloth	White	1.000 (25.4)	1.440 (36.5)	1.100 (27.9)	1.562 (39.7)	3.400 (86.4)	3	5,000	R6207
Fig. 2	THT-199-498-3	Vinyl Cloth	White	1.050 (28.7)	0.250 (6.4)	-	0.350 (8.9)	1.250 (31.8)	1	3,000	R6206
Fig. 2	THT-17-498-3	Vinyl Cloth	White	2.000 (50.8)	1.000 (25.4)	-	1.125 (28.6)	2.200 (55.9)	1	3,000	R6200

NOTICE BBP®12 PRINTER ONLY: The following part numbers ending with "-SC" are 1" Small Core Rolls for use in the BBP12 Printer only.

Fig. 1	THT-90-498-2.5-SC	Vinyl Cloth	White	0.250 (6.4)	1.437 (36.5)	0.350 (8.9)	1.562 (39.7)	2.200 (55.9)	6	2,500	R6213
Fig. 3	THT-92-498-SC	Vinyl Cloth	White	0.375 (9.5)	165 ft (50.8 m)	-	-	1.000 (25.4)	1	1 Roll Cont.	R6213
Fig. 1	THT-68-498-5-SC	Vinyl Cloth	White	0.500 (12.7)	0.750 (19.1)	0.600 (15.2)	0.850 (21.6)	2.500 (63.5)	4	5,000	R6213
Fig. 1	THT-14-498-5-SC	Vinyl Cloth	White	0.650 (16.5)	0.200 (5.1)	0.700 (17.8)	0.300 (7.6)	2.950 (74.9)	4	5,000	R6213
Fig. 1	THT-1-498-5-SC	Vinyl Cloth	White	0.750 (19.1)	0.250 (6.4)	0.800 (20.3)	0.350 (8.9)	3.350 (85.1)	4	5,000	R6213
Fig. 1	THT-91-498-2.5-SC	Vinyl Cloth	White	0.750 (19.1)	0.937 (23.8)	0.875 (22.2)	1.062 (27.0)	3.500 (88.9)	4	2,500	R6213
Fig. 1	THT-165-498-2.5-SC	Vinyl Cloth	White	0.800 (20.3)	1.437 (36.5)	0.900 (22.9)	1.562 (39.7)	3.700 (94.0)	4	2,500	R6213
Fig. 1	THT-95-498-2.5-SC	Vinyl Cloth	White	0.800 (20.3)	1.437 (36.5)	0.900 (22.9)	1.562 (39.7)	2.800 (71.1)	3	2,500	R6213
Fig. 1	THT-88-498-2.5-SC	Vinyl Cloth	White	1.000 (25.4)	0.750 (19.1)	1.100 (27.9)	0.875 (22.2)	2.300 (58.4)	2	2,500	R6213
Fig. 2	THT-59-498-2.5-SC	Polyester	White	1.000 (25.4)	0.500 (12.7)	-	0.600 (15.2)	1.200 (30.5)	1	2,500	R4313
Fig. 2	THT-199-498-3-SC	Vinyl Cloth	White	1.050 (28.7)	0.250 (6.4)	-	0.350 (8.9)	1.250 (31.8)	1	3,000	R6213
Fig. 2	THT-17-498-1.5-SC	Vinyl Cloth	White	2.000 (50.8)	1.000 (25.4)	-	1.125 (28.6)	2.200 (55.9)	1	1,500	R6213

IP and PR Plus Print Ribbons on page 134.
Full Material Properties on page 227.