

## Features

- Split knurled or plain shaft options
- DPDT push-pull switch
- Metal bushing and shaft
- Carbon element
- Linear and audio taper options
- RoHS compliant\*



## PDB183-GTR - 17 mm Guitar Potentiometer w/Push-Pull Switch

### Electrical Characteristics

Taper..... Linear, audio  
 Standard Resistance Range  
 ..... 10K ohms to 1M ohms  
 Standard Resistance Tolerance..... ±20 %  
 Residual Resistance..... 1 % max.

### Environmental Characteristics

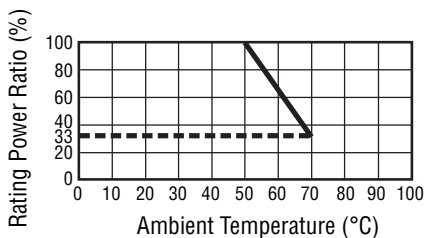
Operating Temperature  
 ..... -10 °C to +50 °C  
 Power Rating  
 Linear ..... 0.2 watt  
 Audio ..... 0.1 watt  
 Maximum Operating Voltage  
 Linear ..... 200 V  
 Audio ..... 150 V  
 Sliding Noise..... 47 mV max.

### Mechanical Characteristics

Mechanical Angle ..... 300 ° ±5 °  
 Rotational Torque ..... 30 to 100 g-cm  
 Stop Strength..... 5 kg-cm min.  
 Rotational Life..... 15,000 cycles  
 Switch Life ..... 15,000 cycles  
 Switch Type ..... DPDT  
 Switch Travel..... 4.3 ± 0.2 mm  
 (.169 ± .008 in.)

Soldering Condition  
 Manual/Wave  
 ..... 260 °C max. for 3 seconds max.  
 Wash ..... Not recommended  
 Hardware ..... Two flat washers and  
 two mounting nuts supplied per  
 potentiometer

### Derating Curve

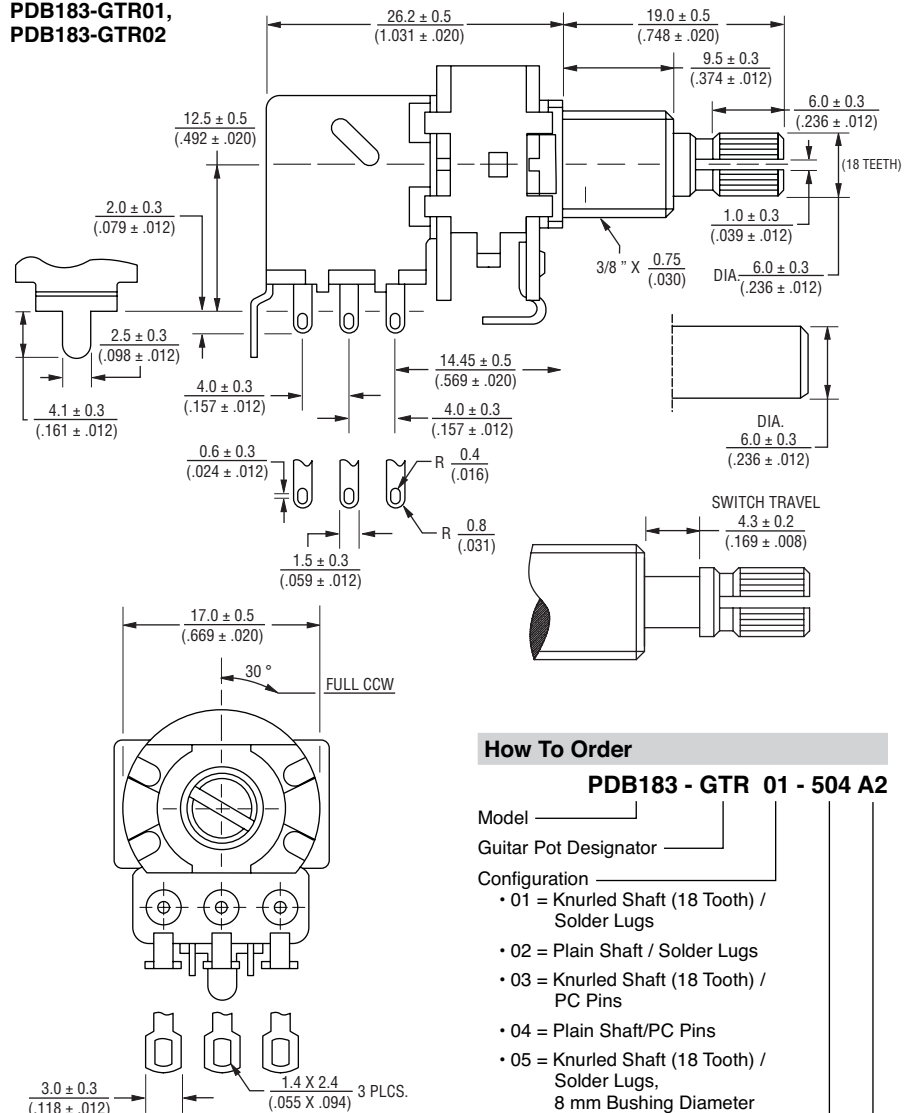


### Standard Resistance Table

Resistance (Ohms)	Resistance Code
10,000	103
25,000	253
50,000	503
100,000	104
250,000	254
300,000	304
500,000	504
1,000,000	105

### Product Dimensions

PDB183-GTR01,  
 PDB183-GTR02



### How To Order

**PDB183 - GTR 01 - 504 A2**

Model \_\_\_\_\_  
 Guitar Pot Designator \_\_\_\_\_  
 Configuration \_\_\_\_\_  
 • 01 = Knurled Shaft (18 Tooth) / Solder Lugs  
 • 02 = Plain Shaft / Solder Lugs  
 • 03 = Knurled Shaft (18 Tooth) / PC Pins  
 • 04 = Plain Shaft/PC Pins  
 • 05 = Knurled Shaft (18 Tooth) / Solder Lugs, 8 mm Bushing Diameter  
 • 11 = Knurled Shaft (24 Tooth) / Solder Lugs  
 • 13 = Knurled Shaft (24 Tooth) / PC Pins  
 • 21 = Knurled Shaft (18 Tooth) / Solder Lugs / Dual Gang  
 • 22 = Plain Shaft / Solder Lugs/ Dual Gang  
 • 31 = Knurled Shaft (18 Tooth) / Solder Lugs, Long Bushing  
 • 32 = Plain Shaft / Solder Lugs / Long Bushing  
 Resistance Code (See table) \_\_\_\_\_  
 Resistance Taper (See taper charts) \_\_\_\_\_

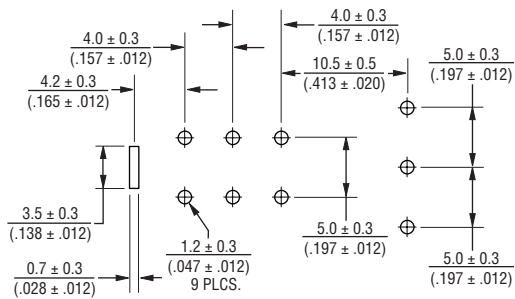
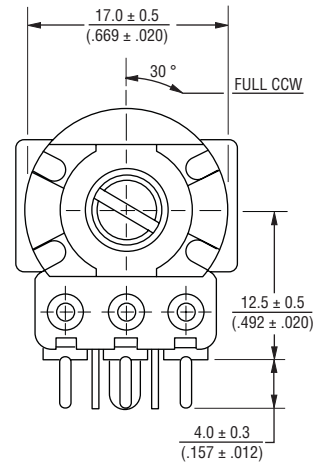
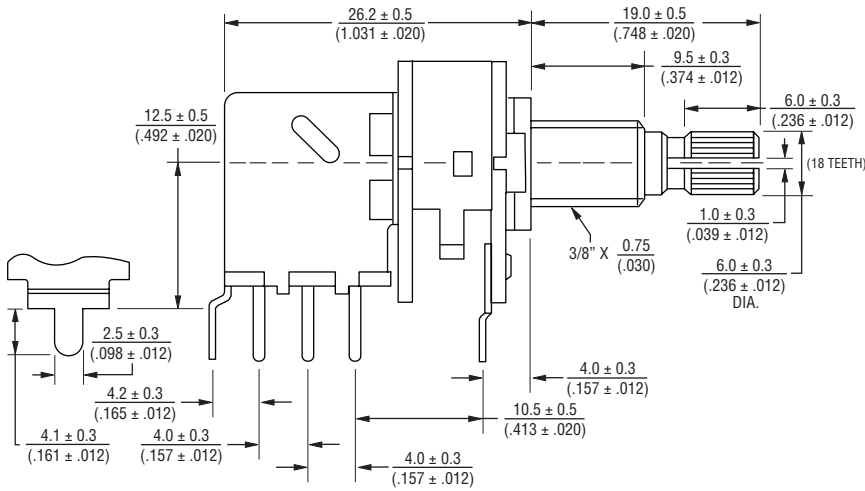
\*RoHS Directive 2002/95/EC Jan. 27, 2003 including annex and RoHS Recast 2011/65/EU June 8, 2011. Specifications are subject to change without notice. Customers should verify actual device performance in their specific applications.

# PDB183-GTR - 17 mm Guitar Potentiometer w/Push-Pull Switch

# BOURNS®

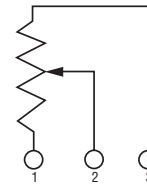
## Product Dimensions

PDB183-GTR03,  
PDB183-GTR04

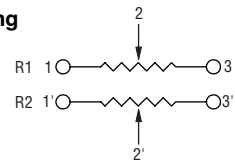


## Circuit

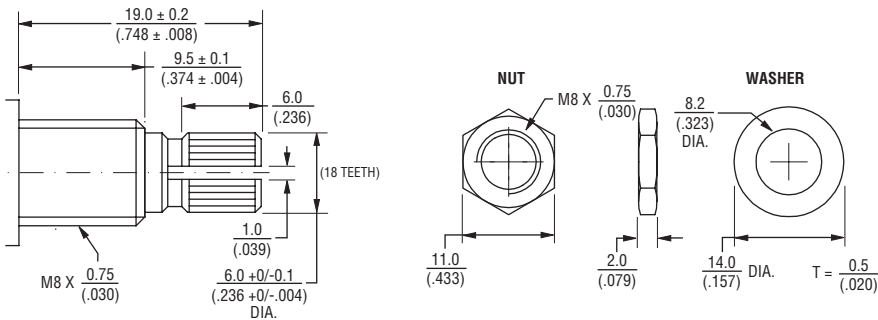
### Single Gang



### Dual Gang

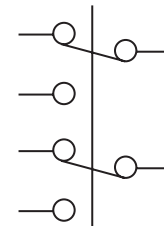


PDB183-GTR05

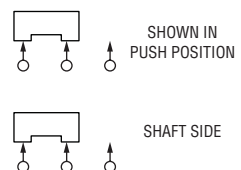


DIMENSIONS:  $\frac{\text{MM}}{\text{(INCHES)}}$

## Switch



## Schematic



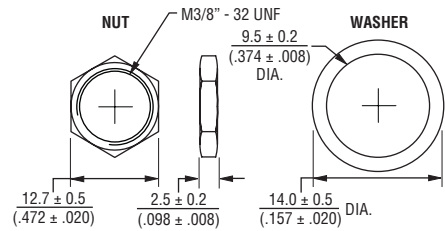
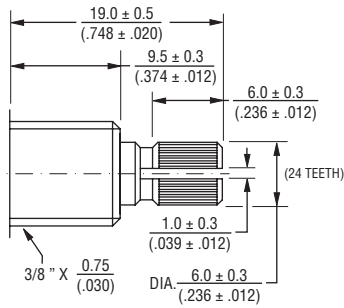
Specifications are subject to change without notice. Customers should verify actual device performance in their specific applications.

# PDB183-GTR - 17 mm Guitar Potentiometer w/Push-Pull Switch



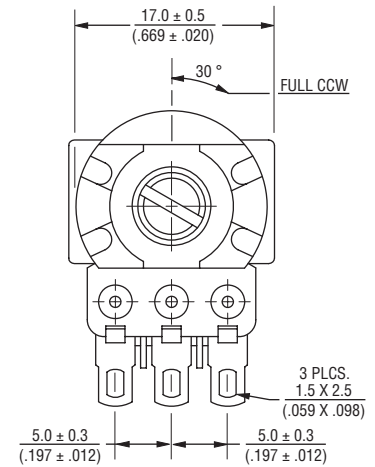
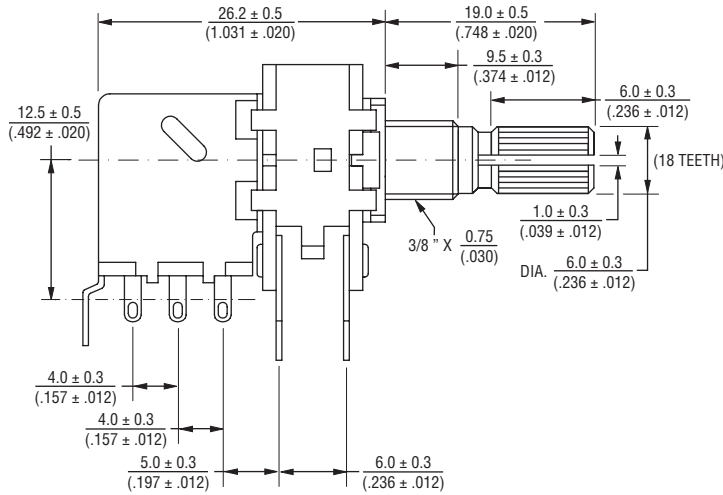
## Product Dimensions

PDB183-GTR11,  
PDB183-GTR13



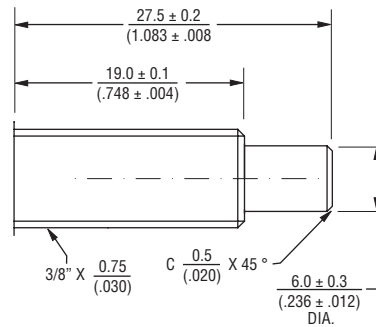
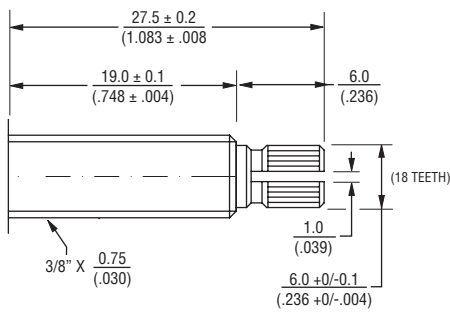
## Product Dimensions

PDB183-GTR21,  
PDB183-GTR22



## Product Dimensions

PDB183-GTR31,  
PDB183-GTR32



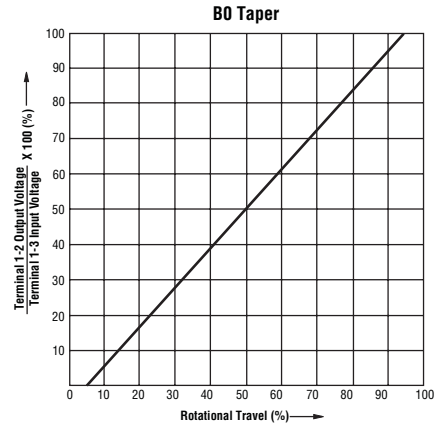
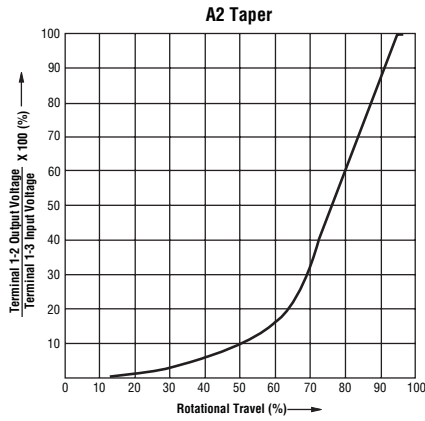
DIMENSIONS:  $\frac{\text{MM}}{\text{(INCHES)}}$

Specifications are subject to change without notice.  
Customers should verify actual device performance in their specific applications.

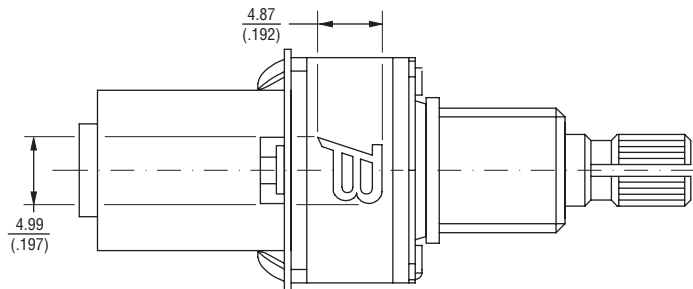
# PDB183-GTR - 17 mm Guitar Potentiometer w/Push-Pull Switch



## Tapers



## Typical Part Marking



DIMENSIONS:  $\frac{\text{MM}}{\text{(INCHES)}}$

REV. 12/11

Specifications are subject to change without notice.  
Customers should verify actual device performance in their specific applications.