

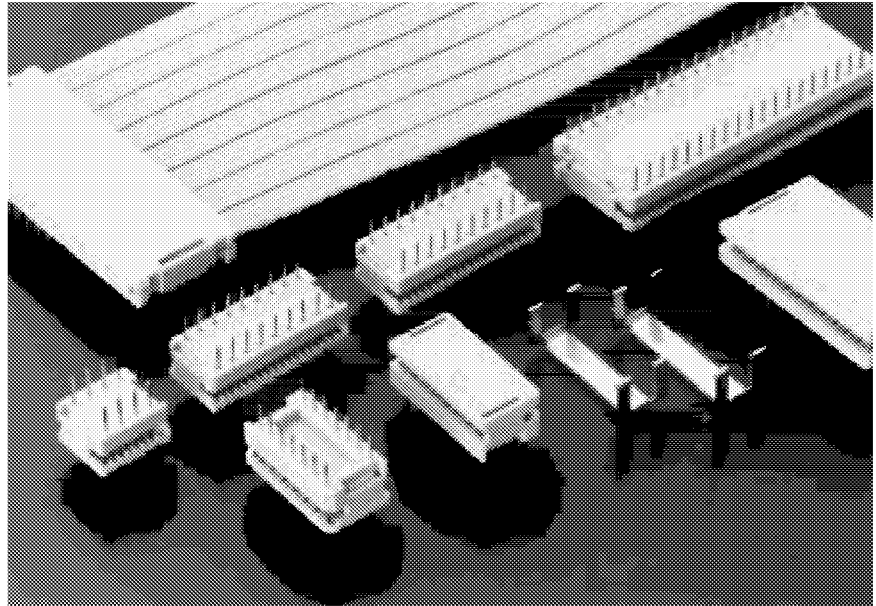
PRODUCT DESCRIPTION

The Standard and Low Profile DIP Plugs are primarily used as a disconnectable interface to DIP sockets. Heavy-duty leads are standard features on both Standard and Low Profile DIP Plugs. Low Profile DIP Plugs are also available with tin-plated pins, providing a permanent flat cable transition to printed circuit boards.

DESIGN ADVANTAGES

- Contact Material—Beryllium copper with 30 microinches min. gold over 50 micro inches min. nickel plating.
- Standard DIP Plugs available in 14 and 16 pin versions to mate with DIP sockets for disconnect applications on 2.54mm x 7.62mm (.100"x .300) grids.
- Low Profile DIP Plugs available in 9 contact sizes- 8, 14, 16, 18, 20, 22, 24, 40, and 48.
- Heavy-duty gold-plated contacts provided on both Standard and Low Profile DIP Plugs.
- Heavy-duty tin-plated contacts available on Low Profile DIP Plugs.
- Snap-on strain reliefs available for 24- and 40-position Low Profile versions.

DIP PLUGS STANDARD AND LOW PROFILE



DIP PLUGS INDEX

Standard 14 & 16 position	52
Low Profile 8-20 position	53
Low Profile 22 position	54
Low Profile 24-48 position	55

DIP PLUGS STANDARD 14 & 16 POSITION



LR92984 E60980

PHYSICAL PROPERTIES

INSULATION MATERIAL: Glass filled thermoplastic rated UL 94V-0

COLOR: Blue

CONTACTS: Beryllium copper; 30μ inches min. gold over 50μ inches nickel in contact zone; tin/lead over nickel in termination area.

ELECTRICAL PROPERTIES

CURRENT RATING: 1 Amp

INSULATION RESISTANCE: >1 x 10⁹ Ohms

DIELECTRIC STRENGTH: >1000 VRMS at sea level

ENVIRONMENTAL PROPERTIES

TEMPERATURE RATING: -55°C TO 125°C

APPLICATION TOOLING

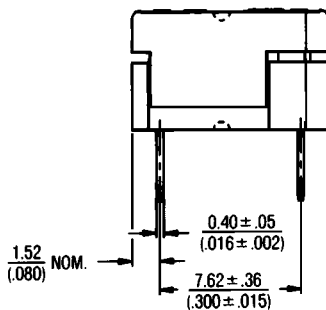
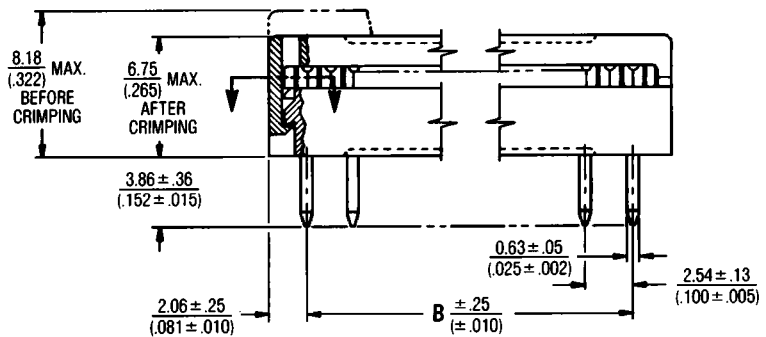
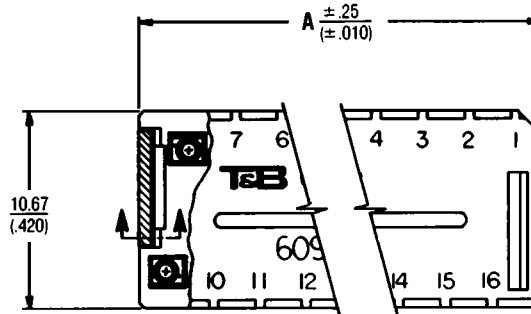
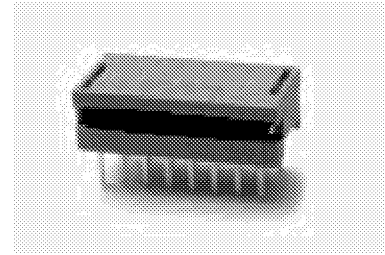
HAND TOOL 779-2100
use Die 779-2162

BENCH PRESS (MANUAL) 779-3200
use Platen 779-3130
use Base Plate 779-3162

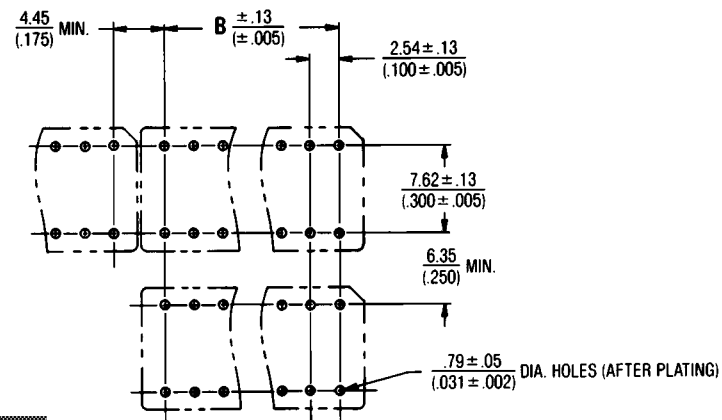
BENCH PRESS (PNEUMATIC) 779-3500XT
use Platen 779-3130
use Base Plate 779-3162

CABLE

See pages 108-120



RECOMMENDED MOUNTING HOLE PATTERN



Ordering Information

CATALOG NO.	NO. OF POS.	DIMENSIONS IN MM (INCHES)	
		A	B
609-M141H	14	19.35 (.762)	15.24 (.600)
609-M161H	16	21.89 (.862)	17.78 (.700)

Note: Connector spacings are given as minimums for ease of plugging or unplugging. Greater spacing in at least one direction is recommended.

DIP PLUGS LOW PROFILE 8-20 POSITION



PHYSICAL PROPERTIES

INSULATION MATERIAL: Glass filled thermoplastic
rated UL 94V-0

COLOR: Blue

CONTACTS: Beryllium copper; 30μ inches min.
gold over 50μ inches nickel in contact zone;
tin/lead over nickel in termination area.

ELECTRICAL PROPERTIES

CURRENT RATING: 1 Amp

INSULATION RESISTANCE: >1 x 10⁹ Ohms

DIELECTRIC STRENGTH: >1000 VRMS at sea level

ENVIRONMENTAL PROPERTIES

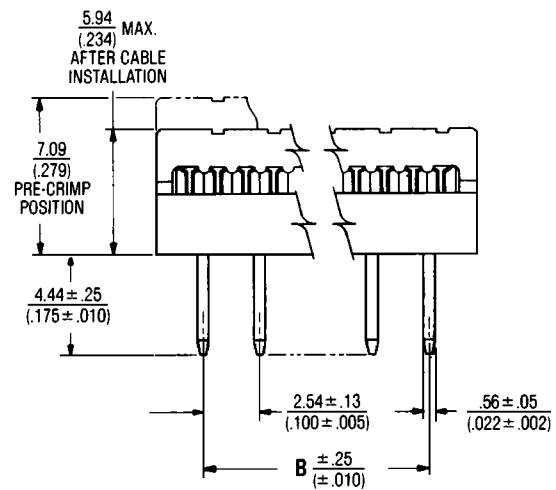
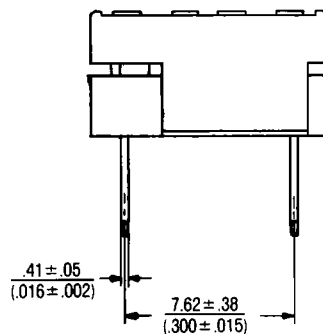
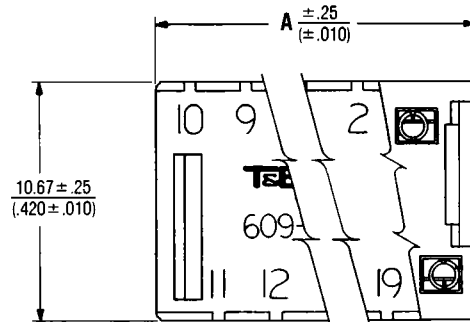
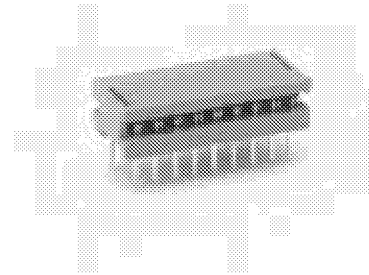
TEMPERATURE RATING: -55°C TO 125°C

APPLICATION TOOLING

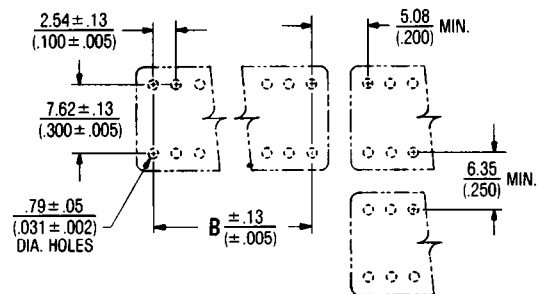
HAND TOOL	779-2100
use Die	779-2162
BENCH PRESS (MANUAL)	779-3200
use Platen	779-3130
use Base Plate	779-3162
BENCH PRESS (PNEUMATIC)	779-3500XT
use Platen	779-3130
use Base Plate	779-3162

CABLE

See pages 108-120



RECOMMENDED MOUNTING HOLE PATTERN



Note: Connector spacings are given as minimums for ease of plugging or unplugging. Greater spacing in at least one direction is recommended.

Ordering Information

CATALOG NO.	NO. OF POS.	DIMENSIONS IN MM (INCHES)	
		A	B
609-M085H	8	11.76 (.463)	7.62 (.300)
609-M145H	14	19.38 (.763)	15.24 (.600)
609-M165H	16	21.92 (.863)	17.78 (.700)
609-M185H	18	24.46 (.963)	20.32 (.800)
609-M205H	20	27.00 (1.063)	22.86 (.900)
609-M085TH	8	11.76 (.463)	7.62 (.300)
609-M145TH	14	19.38 (.763)	15.24 (.600)
609-M165TH	16	21.92 (.863)	17.78 (.700)
609-M185TH	18	24.46 (.963)	20.32 (.800)
609-M205TH	20	27.00 (1.063)	22.86 (.900)

DIP PLUGS LOW PROFILE 22 POSITION



LR92984 E60980

PHYSICAL PROPERTIES

INSULATION MATERIAL: Glass filled thermoplastic rated UL 94V-0

COLOR: Blue

CONTACTS: Beryllium copper; 30μ inches min. gold over 50μ inches nickel in contact zone; tin/lead over nickel in termination area.

ELECTRICAL PROPERTIES

CURRENT RATING: 1 Amp

INSULATION RESISTANCE: >1 x 10⁹ Ohms

DIELECTRIC STRENGTH: >1000 VRMS at sea level

ENVIRONMENTAL PROPERTIES

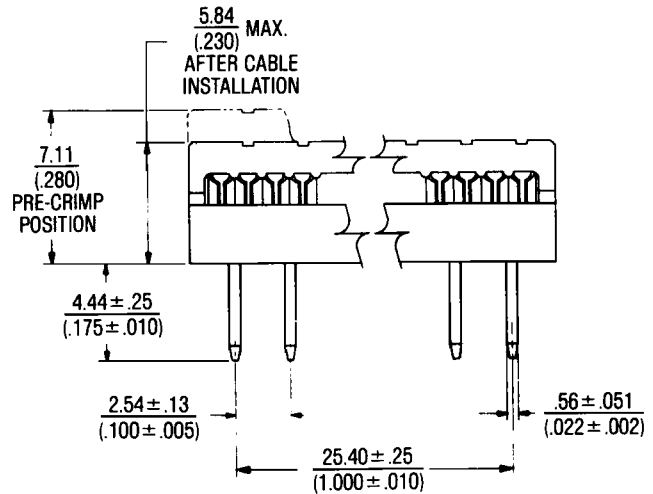
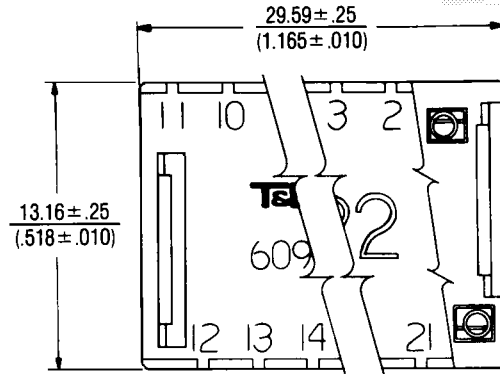
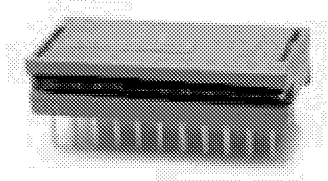
TEMPERATURE RATING: -55°C TO 125°C

APPLICATION TOOLING

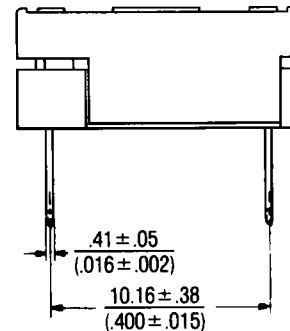
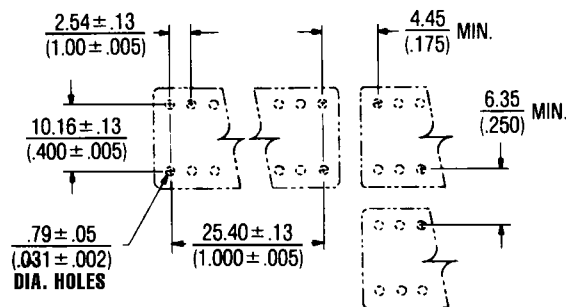
HAND TOOL	779-2100
use Die	779-2162
BENCH PRESS (MANUAL)	779-3200
use Platen	779-3130
use Base Plate	779-3162
BENCH PRESS (PNEUMATIC)	779-3500XT
use Platen	779-3130
use Base Plate	779-3162

CABLE

See pages 108-120



RECOMMENDED MOUNTING HOLE PATTERN



Ordering Information

CAT. NO.	DESCRIPTION
609-M225H	Gold over Nickel
609-M225TH	Tin over Nickel

Note: Connector spacings are given as minimums for ease of plugging or unplugging. Greater spacing in at least one direction is recommended.

DIP PLUGS LOW PROFILE 24 TO 48 POSITION



LR92984 E60980

PHYSICAL PROPERTIES

INSULATION MATERIAL: Glass filled thermoplastic
rated UL 94V-0

COLOR: Blue

CONTACTS: Beryllium copper; 30μ inches min. gold
over 50μ inches nickel in contact zone; tin/lead over
nickel in termination area.

ELECTRICAL PROPERTIES

CURRENT RATING: 1 Amp

INSULATION RESISTANCE: >1 x 10⁹ Ohms

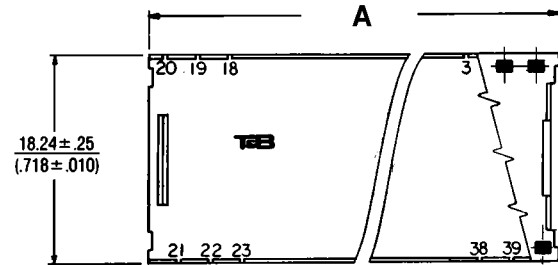
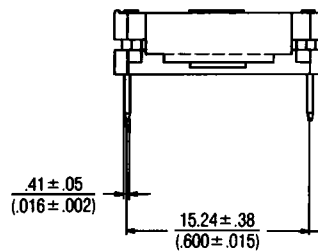
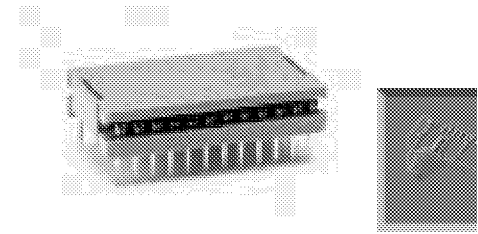
DIELECTRIC STRENGTH: >1000 VRMS at sea level

ENVIRONMENTAL PROPERTIES

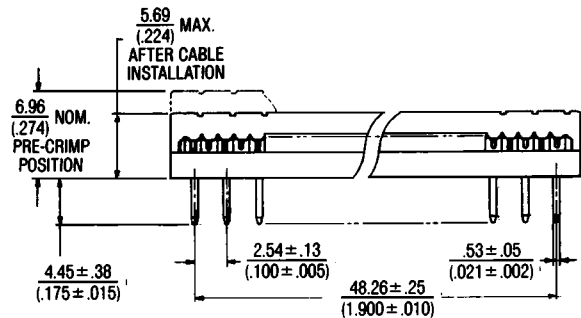
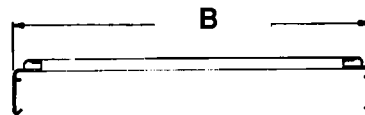
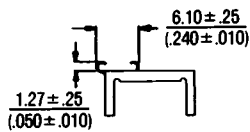
TEMPERATURE RATING: -55°C TO 125°C

CABLE

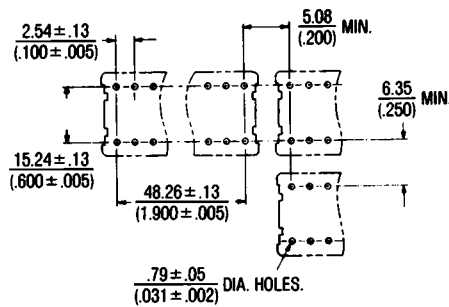
See pages 108-120



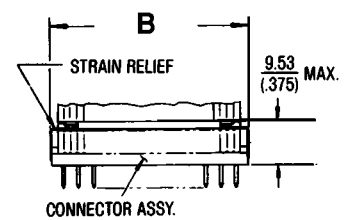
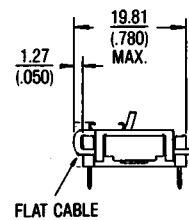
STRAIN RELIEF



RECOMMENDED MOUNTING HOLE PATTERN



CONNECTOR ASSEMBLY WITH STRAIN RELIEF



Ordering Information

NO. OF POSITIONS	CATALOG NO. BY CONTACT STYLE			DIMENSIONS	
	GOLD OVER NICKEL	TIN OVER NICKEL	STRAIN RELIEF	A	B
24	609-M245H	609-M245TH	609-M245S	32.00 ± .25 (1.260 ± .010)	32.00 ± .25 (1.260 ± .010)
40	609-M407H	609-M407TH	609-M407S	52.83 ± .25 (2.080 ± .010)	52.45 ± .25 (2.065 ± .010)
48	609-M485H	609-M485TH	609-M485S	62.63 ± .25 (2.466 ± .010)	—