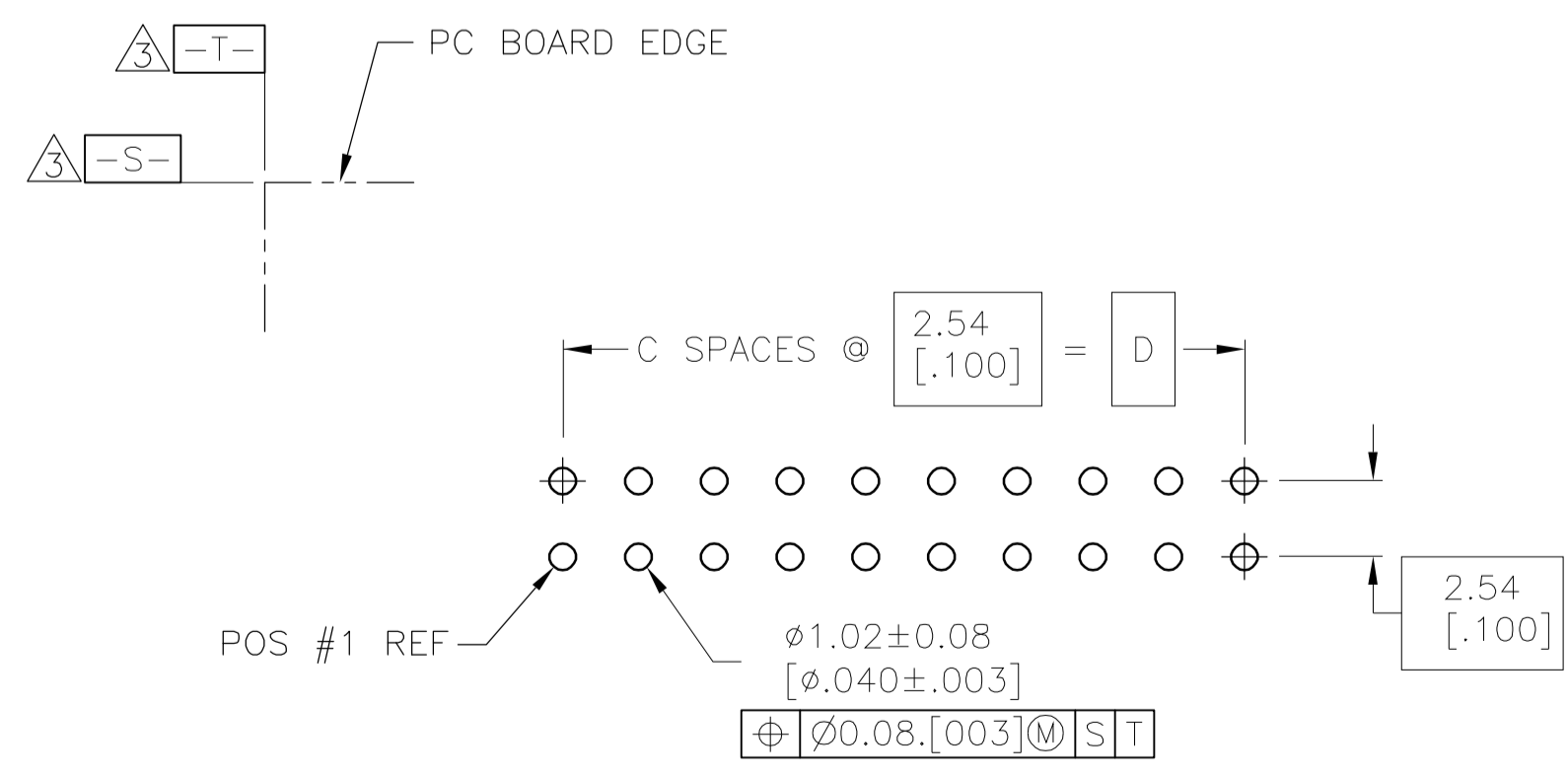
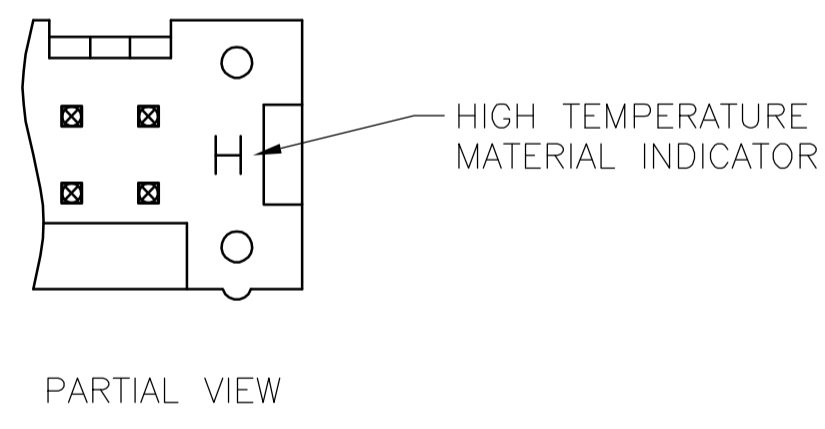
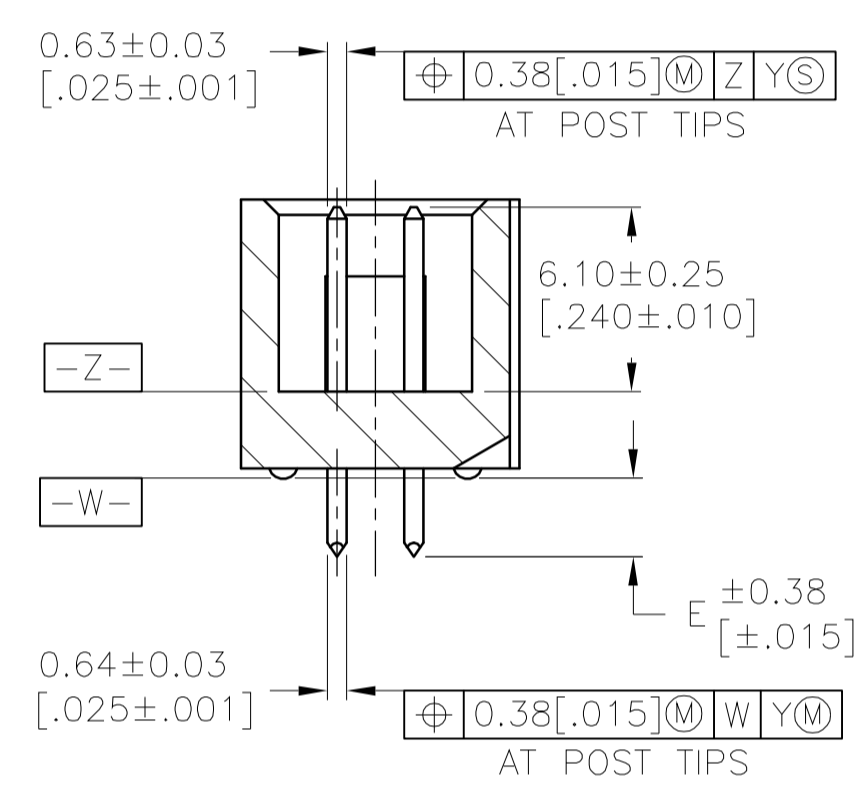
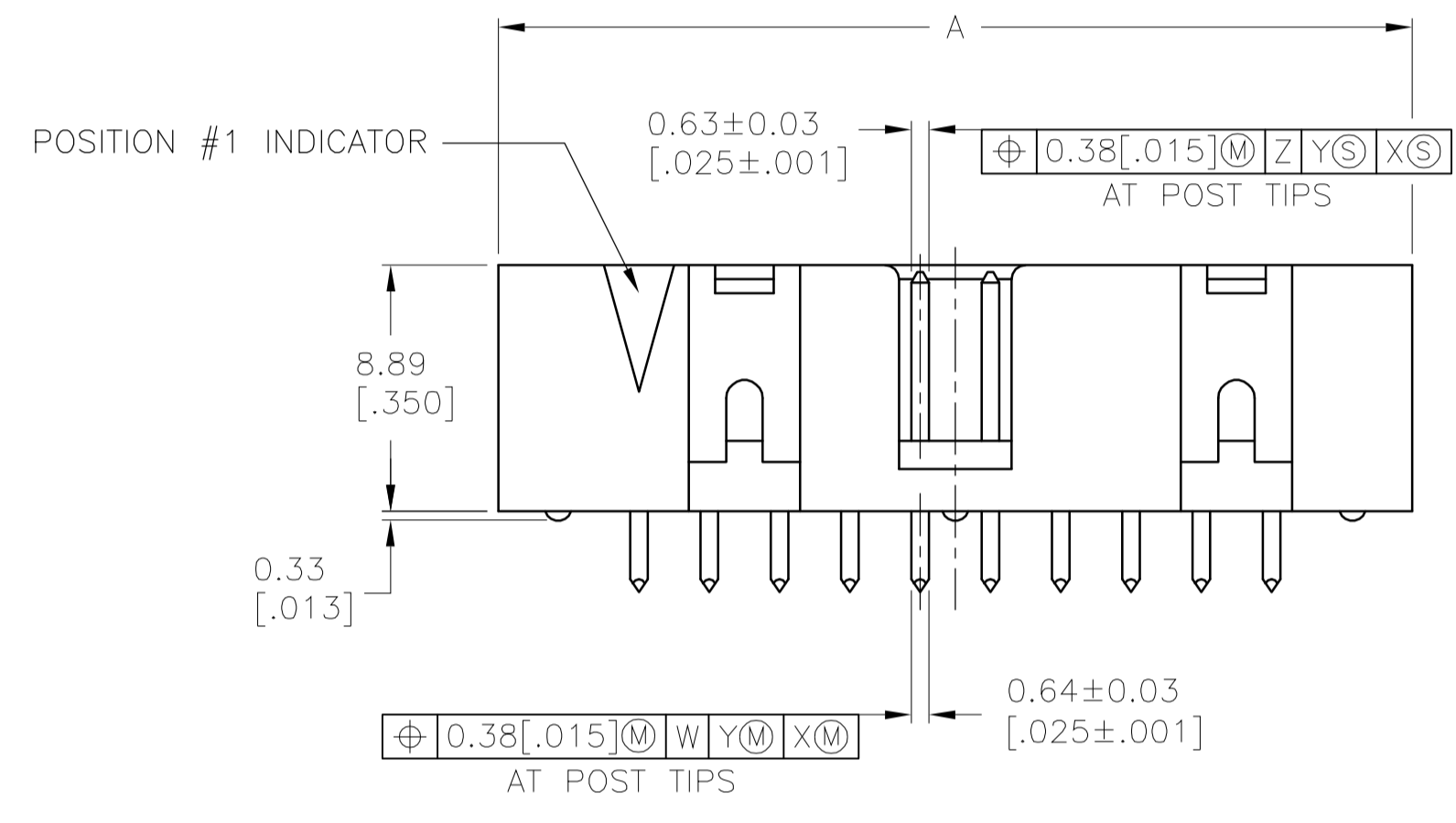


- △ HOUSING: PCT, UL94V-0, COLOR BLACK.
- △ POSTS: PHOSPHOR BRONZE.
- △ POSTS: 0.00038[.000015] MIN GOLD ON MATING AREA, 0.00254[.000100] MIN TIN-LEAD ON SOLDER END, ALL OVER 0.00127[.000050] MIN NICKEL ON ENTIRE POST.
- △ DATUMS S & T TO BE ESTABLISHED BY CUSTOMER.
- △ NO KEYING SLOT ON THIS END FOR 6, 8, 10 & 14 POSITION ASSEMBLIES.
- △ NO KEYING SLOT ON THIS END FOR 6, 8 & 10 POSITION ASSEMBLIES.



RECOMMENDED PC BOARD LAYOUT  
(VIEWED FROM CONNECTOR SIDE)

	E	D	C	B	A	NO OF POS	T&B PART NO REF	PART NUMBER
	4.19 [.165]	78.74 [3.100]	31	86.36 [3.400]	88.90 [3.500]	64	636-6437	1-1437062-4
	2.90 [.114]	78.74 [3.100]	31	86.36 [3.400]	88.90 [3.500]	64	636-6427	1-1437062-2
	4.19 [.165]	73.66 [2.900]	29	81.28 [3.200]	83.82 [3.300]	60	636-6037	1437062-6
OBSOLETE	2.90 [.114]	73.66 [2.900]	29	81.28 [3.200]	83.82 [3.300]	60	636-6027	1437062-4
OBSOLETE	4.19 [.165]	60.96 [2.400]	24	68.58 [2.700]	71.12 [2.800]	50	636-5037	9-1437061-7
	2.90 [.114]	60.96 [2.400]	24	68.58 [2.700]	71.12 [2.800]	50	636-5027	9-1437061-5
	4.19 [.165]	48.26 [1.900]	19	55.88 [2.200]	58.42 [2.300]	40	636-4037	8-1437061-8
	2.90 [.114]	48.26 [1.900]	19	55.88 [2.200]	58.42 [2.300]	40	636-4027	8-1437061-5
	4.19 [.165]	40.64 [1.600]	16	48.26 [1.900]	50.80 [2.000]	34	636-3437	7-1437061-7
	2.90 [.114]	40.64 [1.600]	16	48.26 [1.900]	50.80 [2.000]	34	636-3427	7-1437061-5
	4.19 [.165]	30.48 [1.200]	12	38.10 [1.500]	40.64 [1.600]	26	636-2637	6-1437061-1
	2.90 [.114]	30.48 [1.200]	12	38.10 [1.500]	40.64 [1.600]	26	636-2627	5-1437061-9
OBSOLETE	2.90 [.114]	27.94 [1.100]	11	35.56 [1.400]	38.10 [1.500]	24	636-2427	5-1437061-1
	4.19 [.165]	22.86 [.900]	9	30.48 [1.200]	33.02 [1.300]	20	636-2037	4-1437061-5
	2.90 [.114]	22.86 [.900]	9	30.48 [1.200]	33.02 [1.300]	20	636-2027	4-1437061-3
	2.90 [.114]	17.78 [.700]	7	25.40 [1.000]	27.94 [1.100]	16	636-1627	3-1437061-5
	2.90 [.114]	15.24 [.600]	6	22.86 [.900]	25.40 [1.000]	14	636-1427	2-1437061-7
	4.19 [.165]	10.16 [.400]	4	17.78 [.700]	20.32 [.800]	10	636-1037	2-1437061-1
	2.90 [.114]	10.16 [.400]	4	17.78 [.700]	20.32 [.800]	10	636-1027	1-1437061-9
OBSOLETE	2.90 [.114]	7.62 [.300]	3	15.24 [.600]	17.78 [.700]	8	636-0827	6-1437046-1
	2.90 [.114]	5.08 [.200]	2	12.70 [.500]	15.24 [.600]	6	636-0627	1-1437061-4

THIS DRAWING IS A CONTROLLED DOCUMENT.

DIMENSIONS: MM[INCHES]	TOLERANCES UNLESS OTHERWISE SPECIFIED:	0 PLC ± -	1 PLC ± -	2 PLC ± -	3 PLC ± 0.13[.005]	4 PLC ± -	ANGLES ± -
------------------------	----------------------------------------	-----------	-----------	-----------	--------------------	-----------	------------

MATERIAL: △ FINISH: △ WEIGHT: -

APPROVED: J. GERACE, S. BOLASH, M. WALMSLEY

PRODUCT SPEC: HEADER ASSEMBLY, VERTICAL, LOW PROFILE, IDC

SIZE: A1, CODE: 00779, DRAWING NO: 7-1437046, SHEET 1 OF 1

CUSTOMER DRAWING