



**SERIES 107 NYLON INSERTER / EXTRACTOR**

**MATERIALS**

**Extractor**

Molded in Glass Filled (30%) 6/6 or Type 6 Nylon. UL94-V0 parts are self extinguishing to flame. May be used at 121°C (250°F) continuously. Resistant to alkalis, weak acids, and common solvents.

**Assembly Pin**

Stainless steel, passivated

**COLOR**

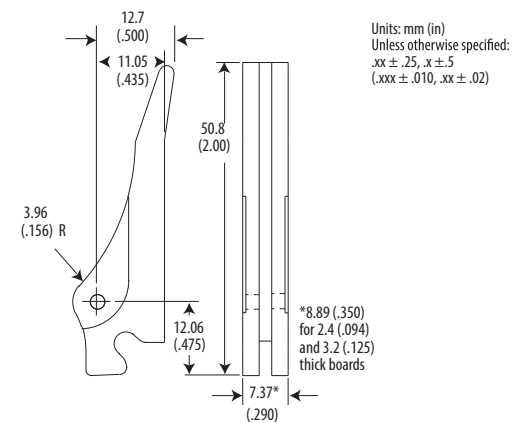
Series 107 standard color is black. Other colors available, please contact an Application Engineer with your requirements.

**HOT STAMPING**

Hot stamp marking service is available. Please contact an Application Engineer with your requirements.

**APPLICATION DATA**

Two inserter or inserter-extractors are recommended per printed circuit board taller than 127 (5) in height.

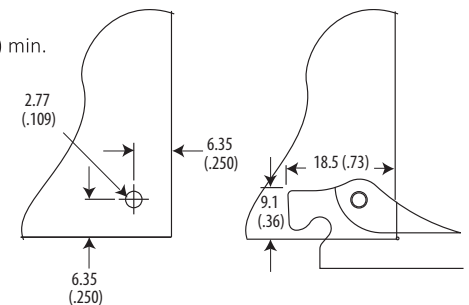
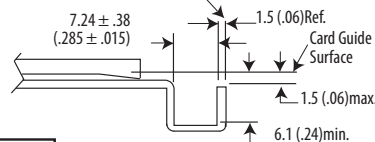


**Detail of Actuating Surfaces**

Required on Top and Bottom guide plates

Provides insertion and extraction travel of 8.9 (.35) min.

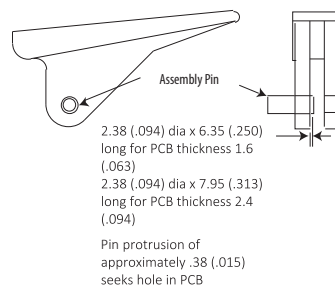
Nominal position of card edge when seated in connector. The inserter-extractor can move the board an additional 1.3 (.050) if necessary due to the tolerances of the assembly



Part Number Code	
<b>Series 107 Inserter/Extractor</b>	P 107 - 3
<b>Assembly Pin</b>	
Loose _____	[blank]
Pre assembled _____	P
<b>PCB Thickness</b>	
1.6 (.063) _____	[blank]
2.4 (.094) _____	3

**Part Number Code example: P107-3**

Series 107 extractor, with pre-started assembly pin, for PCB thickness of 2.4 (.094)



**ASSEMBLY PIN**

Option to be pre-started for:

- Faster and easier installation of the extractor to the PCB
- Eliminates the need for special tools or equipment and set up time.
- Eliminates loss of loose assembly pins

If the "P" option is not selected, the extractors and the pins will be packaged separately.