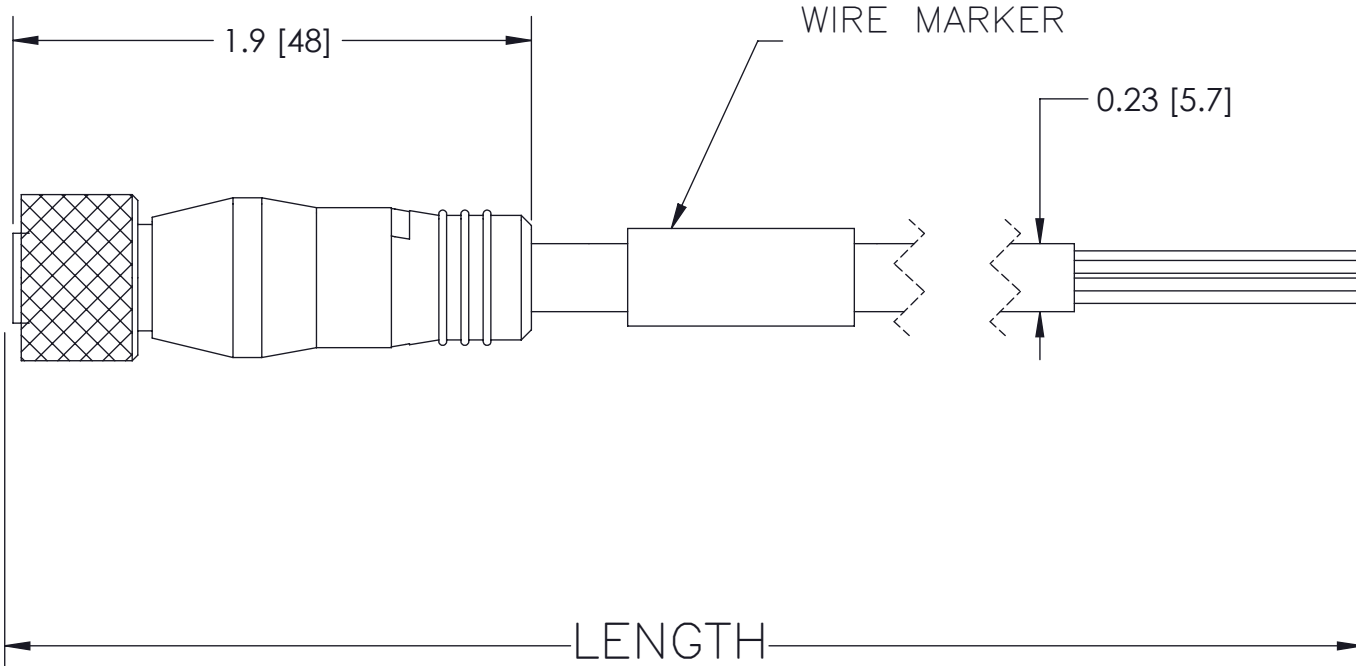
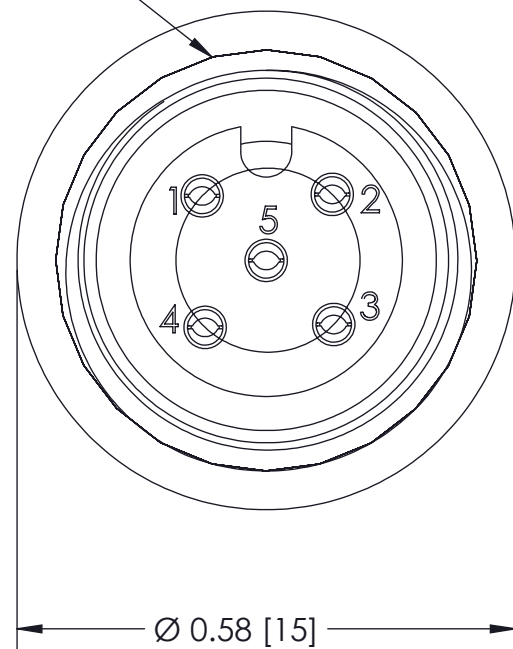


ZONE	REV.	REVISION DESCRIPTION	ECN NO.	DATE
	.	.	.	.


M12x1 FEMALE THREAD



PIN NO.	COLOR
1	BROWN
2	WHITE
3	BLUE
4	BLACK
5	GRAY

PART NO.	LENGTH
31320-K52M	2 METER
31320-K55M	5 METER
31320-K510M	10 METER

- NOTES:
- CABLE: 5 CONDUCTOR, 22 AWG, YELLOW PVC JACKET AND OVERMOLD CONTACTS: GOLD PLATED COPPER ALLOY SHELL: NICKEL PLATED BRASS
  - THIS CABLE IS INTENDED FOR USE WITH A SINGLE ENDED OUTPUT ENCODER
  - RoHS 1, 2 AND 3 COMPLIANT

<b>UNCONTROLLED COPY</b>		 BEI SENSORS 1461 LAWRENCE DRIVE THOUSAND OAKS, CA 93120	
FIRST ISSUE DATE: 06/24/19 DRAWN: DRC APPROVED: MFB DATE: 06/24/19	SENSATA TECHNOLOGIES PROPRIETARY AND CONFIDENTIAL. NEITHER THIS PRINT NOR THE INFORMATION CONTAINED HEREON IS TO BE USED AGAINST THE INTERESTS OF SENSATA TECHNOLOGIES OR AGAINST THE INTERESTS OF ANY OF ITS AFFILIATED COMPANIES OR WHOLLY OWNED SUBSIDIARIES.		TITLE <b>K5 CONNECTOR AND CABLE ASSEMBLY</b>
ECN: DATE: MATERIAL:	INTERPRET DIMENSIONING AND TOLERANCING PER ASME Y14.5-2009. UNLESS OTHERWISE SPECIFIED DIMENSIONS ARE IN INCHES[MILLIMETERS] AND ARE INTENDED AS NOMINAL SEE PRODUCT SPECIFICATIONS FOR MORE DETAILS.		SIZE <b>B</b>
DO NOT SCALE DRAWING	THIRD ANGLE PROJECTION	DWG NO. <b>09925-001</b>	REV. .
SCALE 1:1		SOLIDWORKS	SHEET 1 OF 1