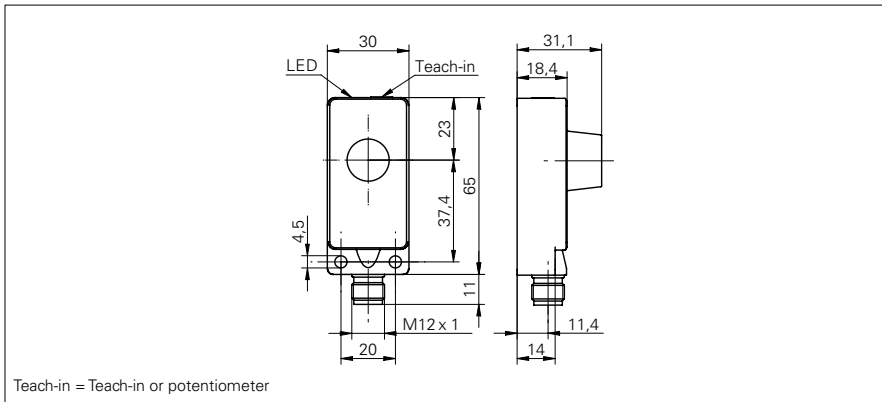


Ultrasonic distance measuring sensors

UNDK 30 (Sd = 1000 mm)

sample drawing



general data

scanning range sd	100 ... 1000 mm
scanning range far limit Sde	100 ... 1000 mm
repeat accuracy	< 0,5 mm
resolution	< 0,3 mm
response time ton	< 80 ms
release time toff	< 80 ms
temperature drift	< 2 % of distance to target So
sonic frequency	240 kHz
alignment aid	target indication flashing

potentiometer

light indicator	LED green
-----------------	-----------

Teach-in

scanning range close limit Sdc	100 ... 1000 mm
light indicator	yellow LED / red LED

electrical data

voltage supply range +Vs	15 ... 30 VDC
output current	< 20 mA
residual ripple	< 10 % Vs
short circuit protection	yes
reverse polarity protection	yes

voltage output

current consumption max. (no load)	35 mA
------------------------------------	-------

current output

current consumption max. (no load)	55 mA
load resistance +Vs max.	< 1100 Ohm
load resistance +Vs min.	< 400 Ohm

mechanical data

type	rectangular
housing material	polyester / die-cast zinc
width / diameter	30 mm
height / length	65 mm
depth	31 mm

sample picture



Ultrasonic distance measuring sensors

UNDK 30 (Sd = 1000 mm)

ambient conditions

operating temperature	-10 ... +60 °C
protection class	IP 67

order reference	adjustment	output circuit	output signal	connection types
UNDK 30I6103	Teach-in	current output	4 ... 20 mA / 20 ... 4 mA	cable, 2 m
UNDK 30I6103/S14	Teach-in	current output	4 ... 20 mA / 20 ... 4 mA	connector M12
UNDK 30U6103	Teach-in	voltage output	0 ... 10 V / 10 ... 0 V	cable, 2 m
UNDK 30U6103/S14	Teach-in	voltage output	0 ... 10 V / 10 ... 0 V	connector M12
UNDK 30U9103	potentiometer	voltage output	0 ... 10 VDC	cable, 2 m
UNDK 30U9103/S14	potentiometer	voltage output	0 ... 10 VDC	connector M12