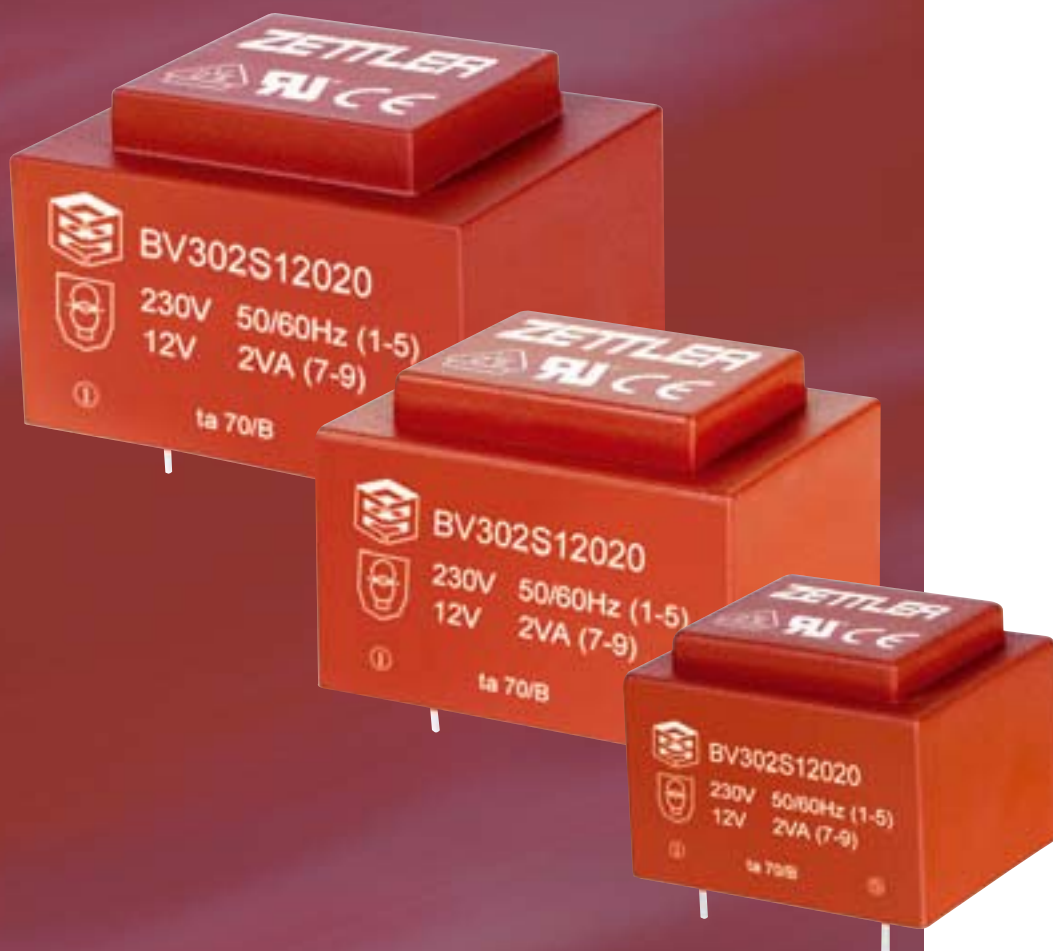


Transformers

Moulded Power Transformers



Features

Moulded Power Transformers

- VDE approved DIN EN 61558
- UL 1585 approved (0,6 to 2,3 VA)
- Vacuum Filled
- Split Bobbin Design
- Self-Extinguishing Plastics UL94V-0
- Dielectric Strength 4200Vrms
Operation Frequency 50/60Hz
- Inherently Energy Limited
- Resin Temperature-Class B IEC 85
(20,000 h Testing to IEC 216)
- Conforms to EN 61558 and EN 60950
- 100% Production Tested

Features	2
Technical Information	3
Outline Dimensions	4
Electrical Specifications	5
Electrical Specifications	6
Tube/Tray Packaging	7

Ordering-Code

XXXXXXXXXX - ZU TUBE PACKAGING

P/N



BV 30 2 S 15 010 - Z U

Sealed Transformer

EI Lamination Size

Input V

1 = 115V · 2 = 230V

Output Type

S = Single · D = Dual

Output Voltage

06 = 6V · 09 = 9V

12 = 12V, etc.

010 = 1VA · 015 = 1.5VA

028 = 2.8VA, ect.

ZU Tube Packaging

Technical Information

Rated primary voltage(V)

This is the supply voltage assigned to the transformer by the manufacturer.

Rated Secondary voltage(V)

This is the secondary output voltage assigned to the transformer when supplied with the rated primary voltage, frequency range, rated secondary current, all assigned by the manufacturer for the specified operating conditions of the transformer.

Rated Power(VA)

The specified power levels in this catalogue are the secondary power levels, in other words, those available when the transformer is loaded. It is the product of the RMS rated secondary voltage by the RMS rated current. If the transformer has more than one output winding, the rated power denotes the maximum sum of the products of RMS rated secondary voltage by the RMS rated secondary current, respectively. This rated power is defined for rated ambient temperature conditions.

Ambient temperature (T_a)

The maximum temperature at which the transformer may be operated continuously under nominal conditions of use. It is the air temperature measured close to the transformer after thermal stabilization when operating at rated conditions.

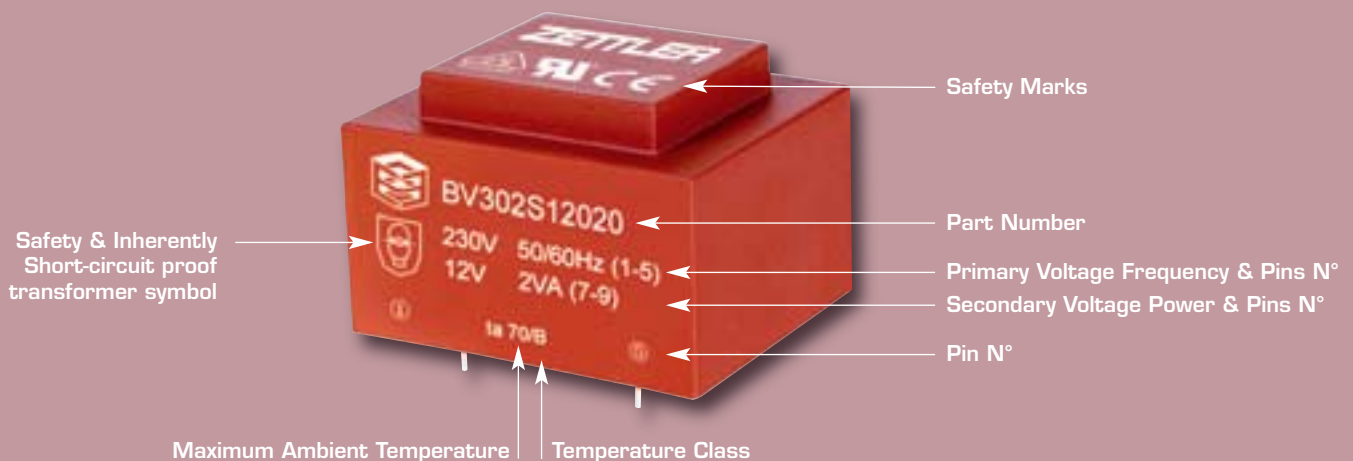
Particular points of EN 61558-2-6 standard for safety transformers

On-load secondary voltage tolerance. This should not differ from the rated value by more than:

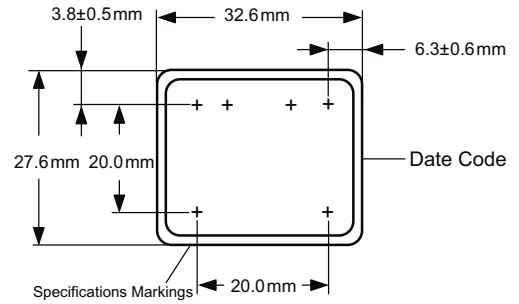
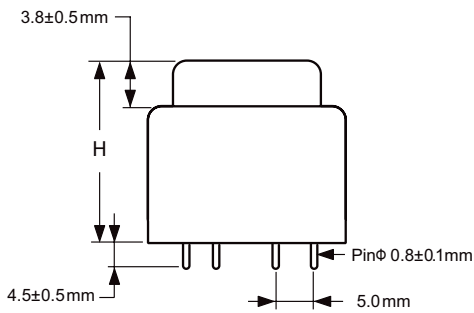
- 10% for transformers with build-in resistance to short-circuits (a supplement of 5% is granted on the 2nd secondary for transformers with 2 secondaries).
- 5% for other transformers whatever the secondaries number.

Off-load secondary voltage. The values given in this catalogue are maximum theoretical values.

Explanation

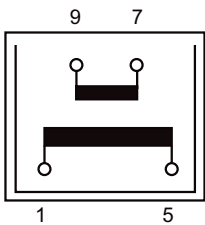


Outline Dimensions

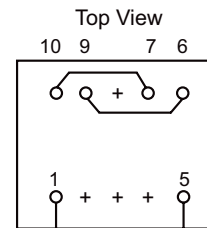
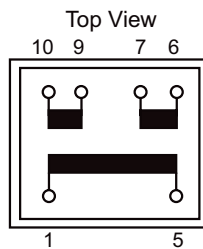


Recommended Drill Hole Diameter for Pins 1.30mm

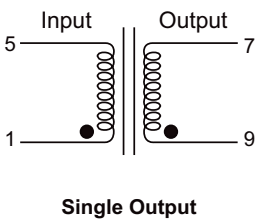
1 Secondary winding



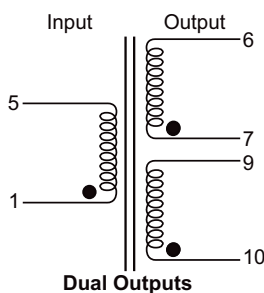
2 Secondary winding



Primary winding



Primary winding



Recommended layout for transformers with 1 Secondary winding (allows the use of a transformer with 2 secondary windings)

Electrical Specifications

0.6VA EI30-5 Series

Order Number 115V	Order Number 230V	SEC. Voltage [V]	Rated Power [VA]	No-load Voltage [V]	Ambient Temp. (°C)	Max. Height H (mm)	Weight [g]
BV301S06006	BV302S06006	6	0.6	9.94	70	15.4	40
BV301S09006	BV302S09006	9	0.6	14.95	70	15.4	40
BV301S12006	BV302S12006	12	0.6	19.9	70	15.4	40
BV301S15006	BV302S15006	15	0.6	24.9	70	15.4	40
BV301S18006	BV302S18006	18	0.6	29.9	70	15.4	40
BV301S24006	BV302S24006	24	0.6	39.8	70	15.4	40
BV301D06006	BV302D06006	2 x 6	0.6	2 x 9.94	70	15.4	40
BV301D09006	BV302D09006	2 x 9	0.6	2 x 14.95	70	15.4	40
BV301D12006	BV302D12006	2 x 12	0.6	2 x 19.9	70	15.4	40
BV301D15006	BV302D15006	2 x 15	0.6	2 x 24.9	70	15.4	40
BV301D18006	BV302D18006	2 x 18	0.6	2 x 29.9	70	15.4	40
BV301D24006	BV302D24006	2 x 24	0.6	2 x 39.8	70	15.4	40

0.15±0.02
[3.8±0.5]

0.18±0.2
[4.5±0.5]



1-1.5VA EI30-10.5 Series

Order Number 115V	Order Number 230V	SEC. Voltage (V)	Rated Power (VA)	No-load Voltage (V)	Ambient Temp. (°C)	Max. Height H (mm)	Weight (g)
BV301S06010	BV302S06010	6	1	8.6	70	22.3	70
BV301S09010	BV302S09010	9	1	12.9	70	22.3	70
BV301S12010	BV302S12010	12	1	17.2	70	22.3	70
BV301S15010	BV302S15010	15	1	21.6	70	22.3	70
BV301S18010	BV302S18010	18	1	25.9	70	22.3	70
BV301S24010	BV302S24010	24	1	37.9	70	22.3	70
BV301D06010	BV302D06010	2 x 6	1	2 x 8.6	70	22.3	70
BV301D09010	BV302D09010	2 x 9	1	2 x 12.9	70	22.3	70
BV301D12010	BV302D12010	2 x 12	1	2 x 17.2	70	22.3	70
BV301D15010	BV302D15010	2 x 15	1	2 x 21.6	70	22.3	70
BV301D18010	BV302D18010	2 x 18	1	2 x 25.9	70	22.3	70
BV301D24010	BV302D24010	2 x 24	1	2 x 37.9	70	22.3	70
BV301S06015A	BV302S06015A	6	1.5	10.1	40	22.3	70
BV301S09015A	BV302S09015A	9	1.5	15.3	40	22.3	70
BV301S12015A	BV302S12015A	12	1.5	20.2	40	22.3	70
BV301S15015A	BV302S15015A	15	1.5	25.3	40	22.3	70
BV301S18015A	BV302S18015A	18	1.5	31.2	40	22.3	70
BV301S24015A	BV302S24015A	24	1.5	43.3	40	22.3	70
BV301D06015A	BV302D06015A	2 x 6	1.5	2 x 10.1	40	22.3	70
BV301D09015A	BV302D09015A	2 x 9	1.5	2 x 15.3	40	22.3	70
BV301D12015A	BV302D12015A	2 x 12	1.5	2 x 20.2	40	22.3	70
BV301D15015A	BV302D15015A	2 x 15	1.5	2 x 25.0	40	22.3	70
BV301D18015A	BV302D18015A	2 x 18	1.5	2 x 31	40	22.3	70
BV301D24015A	BV302D24015A	2 x 24	1.5	2 x 43	40	22.3	70

1.5-1.8VA EI30-12.5 Series

Order Number 115V	Order Number 230V	SEC. Voltage (V)	Rated Power (VA)	No-load Voltage (V)	Ambient Temp. (°C)	Max. Height H (mm)	Weight (g)
BV301S06015	BV302S06015	6	1.5	9.7	70	24.4	80
BV301S09015	BV302S09015	9	1.5	14.5	70	24.4	80
BV301S12015	BV302S12015	12	1.5	19.3	70	24.4	80
BV301S15015	BV302S15015	15	1.5	24.2	70	24.4	80
BV301S18015	BV302S18015	18	1.5	29.8	70	24.4	80
BV301S24015	BV302S24015	24	1.5	38.6	70	24.4	80
BV301D06015	BV302D06015	2 x 6	1.5	2 x 9.7	70	24.4	80
BV301D09015	BV302D09015	2 x 9	1.5	2 x 15.3	70	24.4	80
BV301D12015	BV302D12015	2 x 12	1.5	2 x 19.3	70	24.4	80
BV301D15015	BV302D15015	2 x 15	1.5	2 x 24.2	70	24.4	80
BV301D18015	BV302D18015	2 x 18	1.5	2 x 29	70	24.4	80
BV301D24015	BV302D24015	2 x 24	1.5	2 x 38.6	70	24.4	80
BV301S06018	BV302S06018	6	1.8	9.8	70	24.4	80
BV301S09018	BV302S09018	9	1.8	14.8	40	24.4	80
BV301S12018	BV302S12018	12	1.8	19.7	40	24.4	80
BV301S15018	BV302S15018	15	1.8	24.6	40	24.4	80
BV301S18018	BV302S18018	18	1.8	30.3	40	24.4	80
BV301S24018	BV302S24018	24	1.8	39.3	40	24.4	80
BV301D06018	BV302D06018	2 x 6	1.8	2 x 9.8	40	24.4	80
BV301D09018	BV302D09018	2 x 9	1.8	2 x 15.2	40	24.4	80
BV301D12018	BV302D12018	2 x 12	1.8	2 x 19.7	40	24.4	80
BV301D15018	BV302D15018	2 x 15	1.8	2 x 24.6	40	24.4	80
BV301D18018	BV302D18018	2 x 18	1.8	2 x 29.5	40	24.4	80
BV301D24018	BV302D24018	2 x 24	1.8	2 x 39.3	40	24.4	80

2-2.4VA EI30-15.5 Series

Order Number 115V	Order Number 230V	SEC. Voltage (V)	Rated Power (VA)	No-load Voltage (V)	Ambient Temp. (°C)	Max. Height H (mm)	Weight (g)
BV301S06020	BV302S06020	6	2	10.4	70	27.4	100
BV301S09020	BV302S09020	9	2	15.5	70	27.4	100
BV301S12020	BV302S12020	12	2	20.7	70	27.4	100
BV301S15020	BV302S15020	15	2	25.8	70	27.4	100
BV301S18020	BV302S18020	18	2	30.8	70	27.4	100
BV301S24020	BV302S24020	24	2	41.4	70	27.4	100
BV301D06020	BV302D06020	2 x 6	2	2 x 10.4	70	27.4	100
BV301D09020	BV302D09020	2 x 9	2	2 x 15.4	70	27.4	100
BV301D12020	BV302D12020	2 x 12	2	2 x 20.7	70	27.4	100
BV301D15020	BV302D15020	2 x 15	2	2 x 25.0	70	27.4	100
BV301D18020	BV302D18020	2 x 18	2	2 x 30.8	70	27.4	100
BV301D24020	BV302D24020	2 x 24	2	2 x 41.4	70	27.4	100
BV301S06024	BV302S06024	6	2.4	10.5	40	27.4	100
BV301S09024	BV302S09024	9	2.4	15.5	40	27.4	100
BV301S12024	BV302S12024	12	2.4	20.7	40	27.4	100
BV301S15024	BV302S15024	15	2.4	25.8	40	27.4	100
BV301S18024	BV302S18024	18	2.4	30.8	40	27.4	100
BV301S24024	BV302S24024	24	2.4	41.4	40	27.4	100
BV301D06024	BV302D06024	2 x 6	2.4	2 x 10.4	40	27.4	100
BV301D09024	BV302D09024	2 x 9	2.4	2 x 15.4	40	27.4	100
BV301D12024	BV302D12024	2 x 12	2.4	2 x 20.7	40	27.4	100
BV301D15024	BV302D15024	2 x 15	2.4	2 x 25.0	40	27.4	100
BV301D18024	BV302D18024	2 x 18	2.4	2 x 30.8	40	27.4	100
BV301D24024	BV302D24024	2 x 24	2.4	2 x 41.4	40	27.4	100

2.3-2.8VA EI30-18 Series

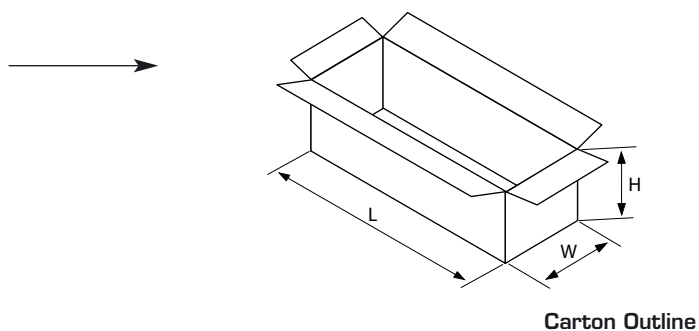
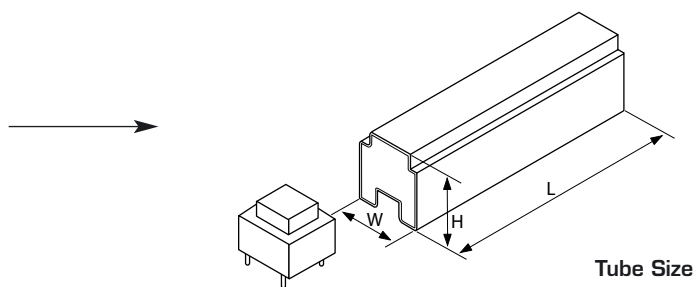
Order Number 115V	Order Number 230V	SEC. Voltage (V)	Rated Power (VA)	No-load Voltage (V)	Ambient Temp. (°C)	Max. Height H (mm)	Weight (g)
BV301S06023	BV302S06023	6	2.3	10.5	70	29.8	110
BV301S09023	BV302S09023	9	2.3	15.7	70	29.8	110
BV301S12023	BV302S12023	12	2.3	21.0	70	29.8	110
BV301S15023	BV302S15023	15	2.3	25.9	70	29.8	110
BV301S18023	BV302S18023	18	2.3	31.4	70	29.8	110
BV301S24023	BV302S24023	24	2.3	41.9	70	29.8	110
BV301D06023	BV302D06023	2 x 6	2.3	2 x 10.5	70	29.8	110
BV301D09023	BV302D09023	2 x 9	2.3	2 x 15.7	70	29.8	110
BV301D12023	BV302D12023	2 x 12	2.3	2 x 21.0	70	29.8	110
BV301D15023	BV302D15023	2 x 15	2.3	2 x 25.9	70	29.8	110
BV301D18023	BV302D18023	2 x 18	2.3	2 x 31.4	70	29.8	110
BV301D24023	BV302D24023	2 x 24	2.3	2 x 41.9	70	29.8	110
BV301S06028	BV302S06028	6	2.8	10.5	40	29.8	110
BV301S09028	BV302S09028	9	2.8	15.4	40	29.8	110
BV301S12028	BV302S12028	12	2.8	21.1	40	29.8	110
BV301S15028	BV302S15028	15	2.8	26.3	40	29.8	110
BV301S18028	BV302S18028	18	2.8	30.9	40	29.8	110
BV301S24028	BV302S24028	24	2.8	42.1	40	29.8	110
BV301D06028	BV302D06028	2 x 6	2.8	2 x 10.5	40	29.8	110
BV301D09028	BV302D09028	2 x 9	2.8	2 x 15.4	40	29.8	110
BV301D12028	BV302D12028	2 x 12	2.8	2 x 21.1	40	29.8	110
BV301D15028	BV302D15028	2 x 15	2.8	2 x 25.0	40	29.8	110
BV301D18028	BV302D18028	2 x 18	2.8	2 x 31.5	40	29.8	110
BV301D24028	BV302D24028	2 x 24	2.8	2 x 42.1	40	29.8	110



Tube Packaging

Model	Tube Size L x W x H (mm)	QTY (Pcs per Tube)	Weight (Per Tube)
EI30-5 Series	510 x 31 x 26	15	0.668 kg
EI30-10.5 Series	510 x 31 x 32	15	1.124 kg
EI30-12.5 Series	510 x 31 x 35	15	1.275 kg
EI30-15.5 Series	510 x 31 x 38	15	1.579 kg
EI30-18 Series	510 x 31 x 41	15	1.733 kg

Model	Carton Outline L x W x H (mm)	QTY (Pcs per Carton)	Weight (Per Carton)
EI30-5 Series	565 x 195 x 140	300	13.5 kg
EI30-10.5 Series	565 x 195 x 140	225	16.9 kg
EI30-12.5 Series	565 x 195 x 130	150	12.9 kg
EI30-15.5 Series	565 x 195 x 130	150	15.9 kg
EI30-18 Series	565 x 195 x 140	150	17.5 kg



A member of the
ZETTLER Group

**Enjoy the technical competence
and the absolutely reliable service
of a worldwide operating group!**

Contact

ZETTLER electronics GmbH
Junkersstraße 3
D-82178 Puchheim
Phone 004989/80097-0
Fax 004989/80097-200
office@ZETTLERelectronics.com
www.ZETTLERelectronics.com

Office Essen
Hinseler Hof 95
D45277 Essen
Phone 0049201/64 82 24 23
Fax 0049201/64 82 24 24

Office Friedrichshafen
Pfauenweg 1
D-88048 Friedrichshafen
Phone 00497541/56957
Fax 00497541/56980

Office Belgium
Grote Steenweg 62
B-3400 Landen
Phone 0032 16/82 51 83
Fax 0032 16/82 24 37

ZETTLER electronics B.V.
Dorpsstraat 51
NL-2761 AA Zevenhuizen
Phone 0031 180-310663
Fax 0031 180-311048
office@zettlerelectronics.nl
www.zettlerelectronics.nl

**ZETTLER electronics Poland
sp.z.o.o.**
Osadników Wojskowych 40
PL-68-200 Zary
Phone 004868-4791437
Fax 004868-4791439
office@zettlerelectronics.pl
www.zettlerelectronics.pl

- Global engineering departments with well experienced engineers and sophisticated measuring equipment
- Excellent guidance in choice of products
- Customer specific tests
- Additional securing the components quality by continuous incoming inspection.
- New designs and modifications of existing parts according to European and international standards or according to customer specifications
- Well assorted warehouse of standard components
- Fast and upon request delivery on a given day
- Certified acc. to DIN EN ISO 9001: 2000

DIN EN ISO 9001: 2000 certified

online
Find more information online

- News of the company and the group
- Product News
- General survey about the product range
- Download of detailed data sheets and specifications
- Application Notes for the daily work with relays
- Stock Availability



www.ZETTLERelectronics.com