

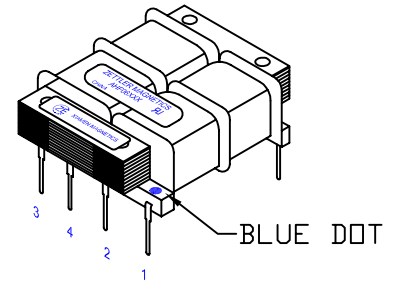
TRANSFORMER, POWER, PCB 6.0 VA
 DUAL 115/230V PRIMARIES AND DUAL SECONDARIES

1. ELECTRICAL SPECIFICATIONS:

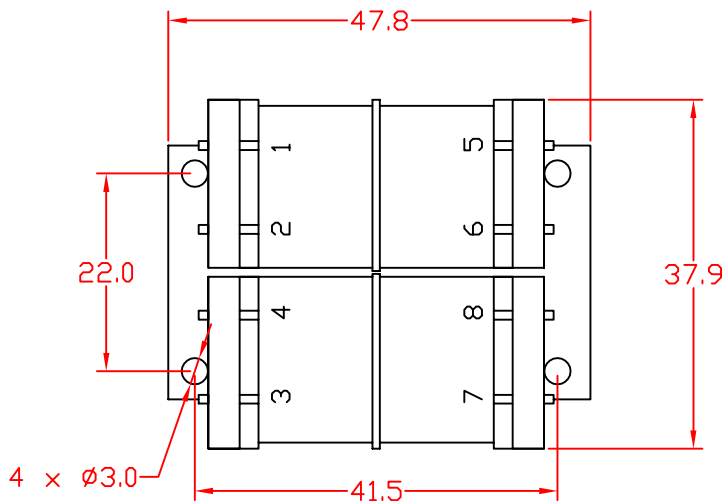
- A. Maximum Power: 6.0VA
- B. Input Voltage and Frequency: 115/230V± 10 @ 50/60Hz
- C. Secondary Voltage: See Electrical Table
- D. Temperature Rise: 45° C MAX allowed
- E. Excitation Current: 45 mA MAX
- F. Hi-Pot: 2500Vrms 1 minute @ Pri. to Sec.
 1500Vrms 1 minute @ Pri. to Core
 1500Vrms 1 minute @ Sec. to Core

G. Safety:

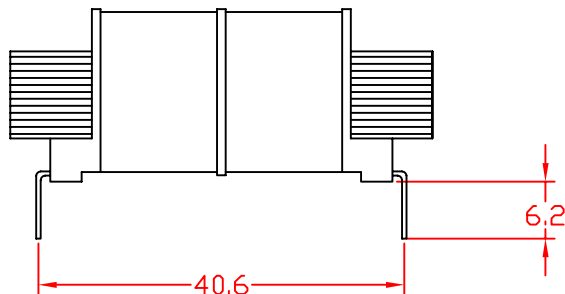
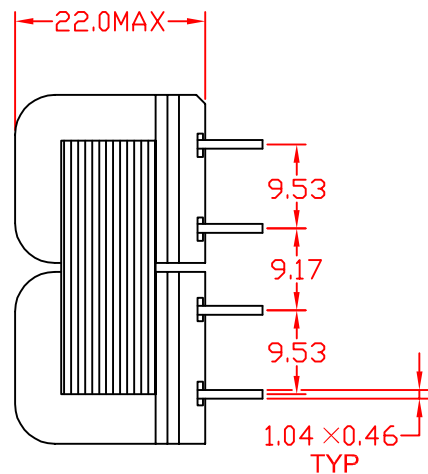
Insulation System ZM-130-5, Class B, UL File No.E177235
 UL506,General Purpose, US and Canada, File No.E177998



2. MECHANICAL SPECIFICATIONS:



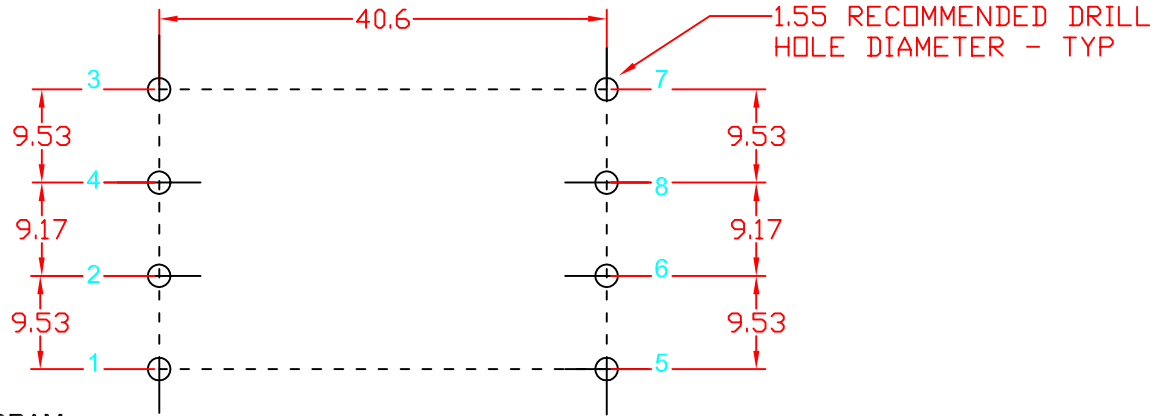
BOTTOM VIEW



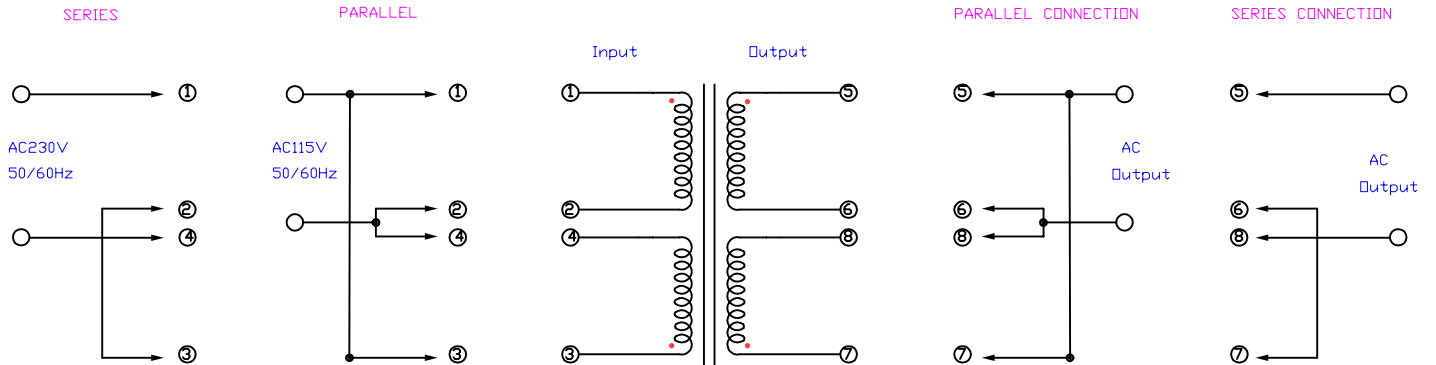
REV.	DESCRIPTION	DRAWN	DATE(M/D/Y)
A	CREATED DRAWING	ZHENG	June 17,2002
A/1	UPDATE DRAWING	WUBX	May 21,2004
A/2	MODIFIED	Winston	Sep 13,2005

TOLERANCE		SCALE NOT 1:1	UNIT mm	DATE (M/D/Y)	MODEL DESCRIPTION	
X	±0.3	DRAWN	ZHENG	June 17,2002	ZETTLER MAGNETICS	MATERIAL Class B 130° C
X.X	±0.2	CHECKED	YUZHUY	June 17,2002		MODEL: AHF06 SERIES
X.XX	±0.1	APPROVED	Roger Ding	June 17,2002		SHEET: 1 OF 2
THICKNESS	/					
REV.	A/2	E:\ACAD\VAHF06SERIES\VAHF06SERIESPCD			TITLE AHF06 SERIES PCD	

3. MOUNTING FOOTPRINT:



4. SCHEMATIC DIAGRAM:



5. ELECTRICAL TABLE:

INPUT	SERIES / PARALLEL			
	PARALLEL CONNECTION		SERIES CONNECTION	
OUTPUT	AC VOLTS	RMS AMPS	AC VOLTS	RMS AMPS
AHF06010	5V	1.2A	10V	0.6A
AHF06012	6.3V	0.9A	12.6V	0.45A
AHF06016	8V	0.7A	16V	0.35A
AHF06020	10V	0.6A	20V	0.3A
AHF06024	12V	0.5A	24V	0.25A
AHF06030	15V	0.4A	30V	0.2A
AHF06034	17V	0.34A	34V	0.17A
AHF06040	20V	0.3A	40V	0.15A
AHF06056	28V	0.2A	56V	0.1A
AHF06088	44V	0.13A	88V	0.065A
AHF06120	60V	0.1A	120V	0.05A
AHF06230	115V	0.05A	230V	0.025A

REV.	DESCRIPTION	DRAWN	DATE(M/D/Y)
A	CREATED DRAWING	ZHENG	June 17,2002
A/2	MODIFIED	Winston	Sep 13,2005

TOLERANCE	SCALE NOT 1:1	UNIT mm	DATE (M/D/Y)	MODEL DESCRIPTION	
X	± 0.3	DRAWN	ZHENG	ZETTLER MAGNETICS TITLE AHF06 SERIES PCD	
X.X	± 0.2	CHECKED	YUZHUY		
X.XX	± 0.1	APPROVED	Roger Ding		
THICKNESS	/				
REV.	A2	E:\ACAD\VAHF06SERIES\VAHF06SERIESPCD		MATERIAL Class B 130° C	MODEL: AHF06 SERIES
					SHEET: 2 OF 2