

General Purpose — AC Rated 2.2
General Purpose — AC/DC Rated 2.8
Industrial Purpose — AC/DC Rated 2.12
Special Purpose
• Illuminated AC Rated 2.14
• Double Insulated — Industrial and VDE 2.15
• Panelboard Switches 2.16
• Outlet Box Mounting 2.18
• High Capacity 2.19
• Heavy Duty and Heavy Duty Hesitation 2.20
Military Purpose 2.24



Toggle Switches



The Power of Reliability

2 TOGGLE SWITCHES

General Purpose Toggle Switches — AC Rated

DESCRIPTION

These ac rated toggle switches offer the widest selection of features and the design flexibility to meet a variety of applications.

Combi-Term Option

This is an extension of our ac rated General Purpose Toggle Switch. The "Combi-Term" design allows the user the option of Screw Terminals, .250" Quick Connects or Solder Termination all on the same switch. The special clips and screws are provided in a poly bag with the switch.

SPECIFICATIONS

Rating:

See selection table.

Circuits:

1PST, 1PDT, 2PST, 2PDT, 3PST, 3PDT, 4PST & 4PDT.

Maintained and momentary.

Contact Mechanism:

Slow-make/Slow-brake butt contact.

Terminal Types:

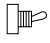
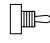
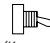
Screw Terminals — Brass designed to accept #6-32 x 3/16 binding head (Cat. No. 811-2) screws. Furnished unassembled.

Solder Lug Terminals — Tintillate plated brass.

Spade Terminals — Brass.

Combi-Term — Brass.

STANDARD AC RATED TOGGLES SELECTION TABLE (BOLD FACE TYPE INDICATES ITEMS NORMALLY IN DISTRIBUTOR STOCK)

Rating	Poles and Throw	Circuit with Toggle in			BASE CIRCUIT SEE PAGE 4.28	Bushing Length A mm (inches)	Lever Length B mm (inches)	CATALOG NUMBERS			
		UP Position 	CENTER Position 	DOWN Position (Keyway) 				Solder Lugs	Screw Terminals	.250" Spade Terminals	Combi-Term
ONE POLE											
ONE POLE											
6A, 125V ac 3A, 250V ac	1 P.S.T.	ON	NONE	OFF	A	8.74 (.344) 11.91 (.469)	14.30 (.563) 14.30 (.563)	7580K7 7580K6	7580K5 7580K4	7580K9 7580K8	N/A
	1 P.D.T.	ON	OFF	ON	B	11.91 (.469)	14.30 (.563)	7581K6	7581K4	7581K8	
	1 P.D.T.	ON	NONE	ON	B	11.91 (.469)	14.30 (.563)	7582K6	7582K4	7582K8	
	1 P.D.T.	ON ON*	NONE OFF	ON* ON*	B	11.91 (.469)	14.30 (.563)	7585K6 7587K6	7585K4 7587K4	7585K8 7587K8	
10A, 250V ac 1/2 Hp, 250V ac	1 P.S.T.	OFF	NONE	ON*	A	11.91 (.469)	14.30 (.563)	7506K3	7506K4	7506K6	
	1 P.S.T.	OFF	NONE	ON*	A	11.91 (.469)	17.48 (.688)	7506K38	7506K36	7506K40	
	1 P.D.T.	ON* ON	OFF NONE	ON* ON*	B	11.91 (.469)	14.30 (.563)	7509K4 7510K6	7509K5 7510K7	7509K7 7510K9	
	1 P.D.T.	ON ON*	OFF OFF	ON* ON*	B	11.91 (.469)	17.48 (.688)	7508K38 7509K38	7508K36 7509K36	7508K40 7509K40	
15A, 125V ac 10A, 250V ac 3/4 Hp, 250V ac 1/2 Hp, 125V-250V ac	1 P.S.T.	ON	NONE	OFF	A	8.74 (.344) 11.91 (.469)	14.30 (.563) 14.30 (.563)	7501K12 7501K13	7500K13 ② 7500K14 ②	7501K14 7501K15	
	1 P.D.T.	ON	OFF	ON	B	11.91 (.469)	14.30 (.563)	7503K13 ②	7502K13	7503K15	
15A, 125V ac 10A, 250V ac 1/2 Hp, 125V ac 3/4 Hp, 250V ac	1 P.D.T.	ON	NONE	ON	B	11.91 (.469)	14.30 (.563)	7505K4	7504K4 ②	7505K6	
	1 P.D.T.	ON	NONE	ON	B	11.91 (.469)	14.30 (.563)	7505K4	7504K4 ②	7505K6	
20A, 125V ac 10A, 250V ac 1/2 Hp, 125V ac 3/4 Hp, 250V ac	1 P.S.T.	ON	NONE	OFF	A	11.91 (.469)	17.48 (.688)	7546K38	7546K36	7546K40	
	1 P.S.T.	ON	NONE	OFF	A	11.89 (.468)	17.45 (.687)	7802K11	7802K31	7802K21 ③	
20A, 125V AC 10A, 250V AC 1 Hp, 120-240V ac	1 P.D.T.	ON ON ON*	OFF NONE OFF	ON ON ON*	B	11.89 (.468)	17.04 (.671)	7802K12 7802K13 7802K17 ④	7802K32 7802K33 7802K37 ④	7802K22 7802K23 ③ 7802K27 ④	7802K42 7802K43 7802K47 ④
	1 P.S.T.	ON	NONE	OFF	A	8.74 (.344)	14.30 (.563)	—	7576K2	—	N/A

Selection Table continues on page 2.4.

* Momentary Contact.

① Single pole switch in 2-pole base.

② Also 4.2A L @ 125V ac Rating.

③ Also 7.5A @ 277V ac, 3/4 Hp @ 120, 240 and 277V ac.

④ Not CSA Certified.

Base Material:

Thermoset molding material.

Mounting Means:

Threaded Bushing —
11.89mm (.468") dia.,
32 threads/inch.

Keyway —

1.73 x .89mm deep
(.068 x .035" deep), provides
antirotation feature.

Hardware Supplied —

1 hexagon locknut
(Cat. No. 15-192) and
1 bright nickel plated knurled
facenut (Cat. No. 15-124F1),
except 7700-7705 which have
bright nickel hexagon facenut
(Cat. No. 15-966-2).
Furnished unassembled.

Finish:

Bright nickel plated toggle lever
and bushing.

Dielectric Withstand:

1,000V RMS minimum.

**Operating
Temperature Range:**

-17.8°C to +65.6°C
(0°F to +150°F).

Approvals:

UL Recognized.

CSA Certified (except as noted).



Contact Material:

7500, 7600, 7700 and 7900 Series Switches		
Amperage	Movable	Stationary
3 to 6	Silver Plated Copper	Silver Plated Copper
10 to 20	Silver Plated Copper with Silver Buttons	Silver Plated Copper with Silver Buttons
20 to 30	Silver Plated Copper with Cad Oxide Buttons	Copper with Cad Oxide Buttons
7800 Series Switches		
3 to 6	Silver Plated Copper	Silver Plated Copper
10 to 20	Copper with Silver Buttons	Copper with Silver Buttons

OPTIONAL FEATURES — General Purpose AC Rated Toggles, pages 2.2-2.4. Features shown below may not be available on all toggle models. Contact your local Eaton Sales Representative.

FEATURES FOR 7500, 7600, 7700, 7900 SERIES

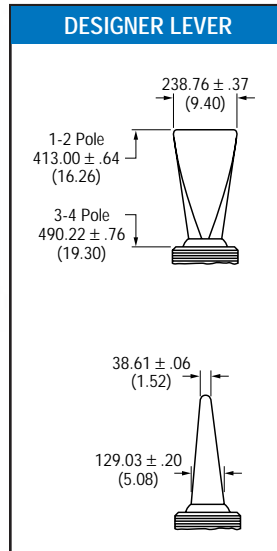
- 3-Independent "ON" Circuit (2PDT or 4PDT only, refer to page 4.28)
- Short (11/32") Bushing
- Tall (15/32") Bushing
- White Nylon Designer Lever (See above dimensions)
- Black Nylon Designer Lever (See above dimensions)
- Hardware Furnished Assembled
- Reversing Jumpers (Not for use with 3-Independent "ON" Circuit)
- Short (15/32") Bat Lever
- Tall (11/16") Bat Lever (Not available with Short Bushing)
- Rotate Keyway 180°
- Lever Seal
- Omit One Pole (2P, 3P, 4P only. Not for use with 3-Independent "ON" Circuit)

FEATURES FOR 7800 SERIES ONLY

- 3-Independent "ON" Circuit (2PDT or 4PDT only, refer to page 4.28)
- Hardware Furnished Assembled
- Reversing Jumpers (Not for use with 3-Independent "ON" Circuit)
- Rotate Keyway 180°
- Silicone Lever Seal (1P and 2P only)
- Omit One Pole (2P, 3P, 4P only. Not for use with 3-Independent "ON" Circuit)

DIMENSIONS

APPROXIMATE IN MM (INCHES)



Single Pole



7500, 7600, 7700, 7900 Series
Double Pole



7800 Series
Double Pole





Four Pole

2 TOGGLE SWITCHES

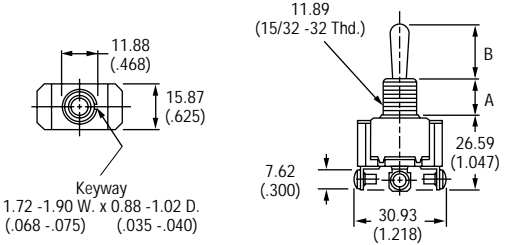
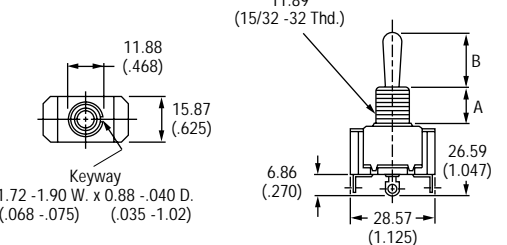
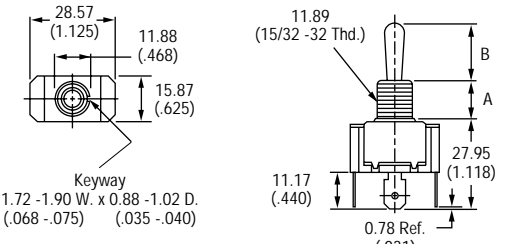
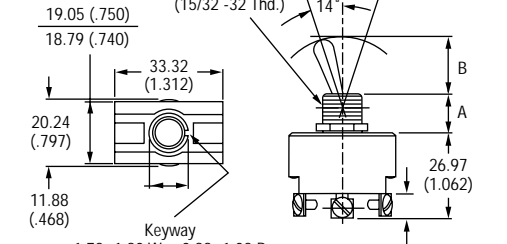
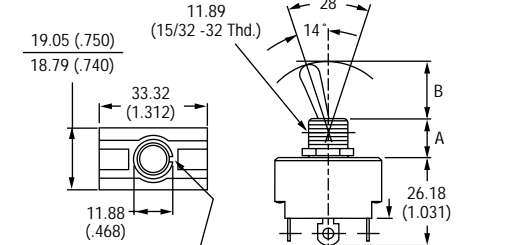
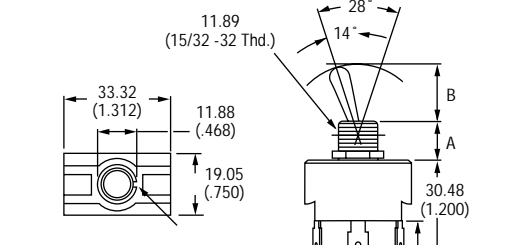
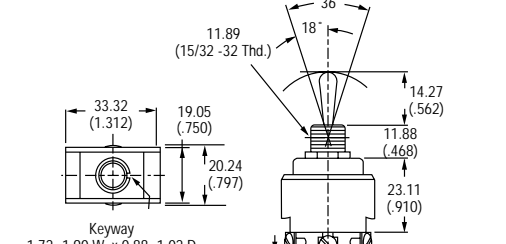
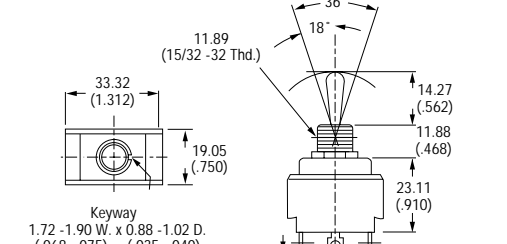
General Purpose Toggle Switches — AC Rated (continued)

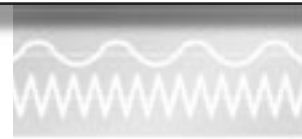
STANDARD AC RATED TOGGLES SELECTION TABLE (BOLD FACE TYPE INDICATES ITEMS NORMALLY IN DISTRIBUTOR STOCK)

Rating	Poles and Throw	Circuit with Toggle in			BASE CIRCUIT SEE PAGE 4.28	Bushing Length A mm (inches)	Lever Length B mm (inches)	CATALOG NUMBERS			
		UP Position 	CENTER Position 	DOWN Position (Keyway) 				Solder Lugs	Screw Terminals	.250" Spade Terminals	Combi-Term
TWO POLE		TWO POLE									
6A, 125V ac 3A, 250V ac 2A, 277V ac 2.5A, L @ 125V ac	2 P.S.T.	ON	NONE	OFF	C	11.91 (.469)	14.30 (.563)	7590K6	7590K4	7590K8	N/A
6A, 125V ac 3A, 250V ac 2.5A, L @ 125V ac	2 P.D.T.	ON	OFF	ON	D	11.91 (.469)	14.30 (.563)	7591K6	7591K4	7591K8	
	2 P.D.T.	ON	NONE	ON	D	11.91 (.469)	14.30 (.563)	7592K6	7592K4	7592K8	
6A, 125V ac 3A, 250V ac	2 P.D.T.	ON*	OFF	ON*	D	11.91 (.469)	14.30 (.563)	7597K6	7597K4	7597K8	
15A, 125V ac 10A, 250V ac 3/4 Hp, 250V ac 1/2 Hp, 125V ac	2 P.S.T.	ON	NONE	OFF	C	8.74 (.344) 11.91 (.469)	14.30 (.563) 14.30 (.563)	7561K5 7561K4	7560K6 7560K5	7561K7 7561K6	
15A, 125V ac 10A, 250V ac 3/4 Hp, 125-250V ac	2 P.D.T.	ON	OFF	ON	D	8.74 (.344) 11.91 (.469)	14.30 (.563) 14.30 (.563)	7563K5 7563K4	7562K5 7562K4	7563K7 7563K6	
15A, 125V ac 10A, 250V ac 3/4 Hp, 250V ac	2 P.D.T.	ON	NONE	ON	D	11.91 (.469)	14.30 (.563)	7565K5	7564K6	7565K7	
15A, 125V ac 10A, 250V ac 1/2 Hp, 250V ac	2 P.S.T.	OFF	NONE	ON*	C	11.91 (.469)	14.30 (.563)	7566K4	7566K5	7566K7	
	2 P.D.T.	ON ON*	OFF OFF	ON* ON*	D	11.91 (.469)	14.30 (.563)	7568K3 ❶ 7569K1 7570K4	7568K2 ❶ 7569K2 7570K5	7568K4 ❶ 7569K3 7570K7	
	2 P.D.T.	ON*	OFF	ON*	D	11.91 (.469)	17.48 (.688)	7569K38	7569K36	7569K40	
20A, 125V ac 10A, 250V ac 3/4 Hp, 250V ac 1/2 Hp, 125V ac	2 P.S.T.	ON	NONE	OFF	C	11.91 (.469)	17.48 (.688)	7630K38	7630K36	7630K40	
	2 P.D.T.	ON	NONE	ON	D	11.91 (.469)	17.48 (.688)	7632K38	7632K36	7632K40	
20A, 125V ac 10A, 250V ac 1 Hp, 120-240V ac	2 P.S.T.	ON	OFF	ON	C	—	—	7803K11	7803K31	7803K21 ❸	7803K41
	2 P.D.T.	ON ON*	OFF NONE OFF	ON ON ON*	D	—	—	7803K12 7803K13 7803K17 ❸	7803K32 7803K33 7803K37 ❸	7803K22 ❹ 7803K23 ❹ 7803K27 ❸	7803K42 7803K43 ❸ 7803K47 ❸
THREE POLE		THREE POLE									
15A, 125V ac 10A, 250V ac 3/4 Hp, 250V ac 1 Hp, 3 Ph 125-600V ac 1 Hp & 2 Ph 125-480V ac	3 P.S.T.	ON	NONE	OFF	E	11.91 (.469)	17.48 (.688)	7700K1	7700K2	7700K3	N/A
	3 P.D.T.	ON ON	OFF NONE	ON ON	F	11.91 (.469)	17.48 (.688)	7701K1 7702K1	7701K2 7702K2	7701K3 7702K3	
15A, 125V ac 10A, 250V ac 3/4 Hp, 250V ac	3 P.D.T.	ON* ON*	OFF NONE	ON ON	F	11.91 (.469)	17.48 (.688)	7704K1 7705K1	7704K2 7705K2	7704K3 7705K3	
20A, 125V ac 10A, 250V ac 1 Hp, 120V ac 1, 2, & 3 phase	3 P.D.T.	ON	OFF	ON	F	—	—	7804K12 ❷❸	7804K32 ❸	7804K22 ❸	7804K42 ❸
FOUR POLE		FOUR POLE									
15A, 125V ac 10A, 250V ac 3/4 Hp, 250V ac	4 P.S.T.	ON	NONE	OFF	E	11.91 (.469)	17.48 (.688)	7691K14	7690K8	—	N/A
	4 P.D.T.	ON ON	OFF NONE	ON ON	F	11.91 (.469)	17.48 (.688)	7693K2 7695K5	7692K13 7694K4	—	
20A, 125V ac 10A, 250V ac 3/4 Hp, 250V ac 1/2 Hp, 125V ac	4 P.S.T.	ON	NONE	OFF	E	11.91 (.469)	17.48 (.688)	7933K38	7933K36	7933K40	
	4 P.D.T.	ON ON	OFF NONE	ON ON	F	11.91 (.469)	17.48 (.688)	7934K38 7935K38	7934K36 7935K36	7934K40 7935K40	
20A, 125V ac 10A, 250V ac 1 Hp, 125-240V ac 2 & 3 phase	4 P.D.T.	ON	OFF	ON	F	—	—	7805K12 ❹	7805K32 ❹	7805K22 ❹	7805K42 ❹

* Momentary Contact.
 ❶ Also 1/2 Hp at 125-250V ac Rating.
 ❷ 1 Hp @ 240-480V ac 1 or 2 phase and 240-600V ac, 3 phase.
 ❸ Not CSA Certified.
 ❹ Also 7.5A, 277V ac, 3/4 Hp, 120-240-277V ac.

DIMENSIONS — 7500, 7600, 7700, 7900 SERIES APPROXIMATE IN MM (INCHES)

1PST MAINTAINED & MOMENTARY (SCREW TERMINALS)	1PDT MAINTAINED & MOMENTARY (SOLDER LUGS)
 <p>11.88 (.468) 15.87 (.625) 11.89 (15/32 -32 Thd.) 7.62 (.300) 30.93 (1.218) 26.59 (1.047) Keyway 1.72 -1.90 W. x 0.88 -1.02 D. (.068 -.075) (.035 -.040)</p>	 <p>11.88 (.468) 15.87 (.625) 11.89 (15/32 -32 Thd.) 6.86 (.270) 28.57 (1.125) 26.59 (1.047) Keyway 1.72 -1.90 W. x 0.88 -.040 D. (.068 -.075) (.035 -1.02)</p>
1PDT MAINTAINED & MOMENTARY (SPADE TERMINALS)	2PDT MAINTAINED (SCREW TERMINALS)
 <p>28.57 (1.125) 11.88 (.468) 15.87 (.625) 11.89 (15/32 -32 Thd.) 11.17 (.440) 0.78 Ref. (.031) 27.95 (1.118) Keyway 1.72 -1.90 W. x 0.88 -1.02 D. (.068 -.075) (.035 -.040)</p>	 <p>19.05 (.750) 18.79 (.740) 33.32 (1.312) 20.24 (.797) 11.88 (.468) 11.89 (15/32 -32 Thd.) 28° 14° 26.97 (1.062) 7.62 (.300) Keyway 1.72 -1.90 W. x 0.88 -1.02 D. (.068 -.075) (.035 -.040)</p>
2PDT MAINTAINED (SOLDER LUGS)	2PDT MAINTAINED (SPADE TERMINALS)
 <p>19.05 (.750) 18.79 (.740) 33.32 (1.312) 11.88 (.468) 11.89 (15/32 -32 Thd.) 28° 14° 26.18 (1.031) 6.85 (.270) Keyway 1.72 -1.90 W. x 0.88 -1.02 D. (.068 -.075) (.035 -.040)</p>	 <p>33.32 (1.312) 11.88 (.468) 19.05 (.750) 11.89 (15/32 -32 Thd.) 28° 14° 30.48 (1.200) 11.17 (.440) Keyway 1.72 -1.90 W. x 0.88 -1.02 D. (.068 -.075) (.035 -.040)</p>
2PDT MOMENTARY (SCREW TERMINALS)	2PDT MOMENTARY (SOLDER LUGS)
 <p>33.32 (1.312) 19.05 (.750) 20.24 (.797) 11.89 (15/32 -32 Thd.) 36° 18° 14.27 (.562) 11.88 (.468) 23.11 (.910) 0.78 Ref. (.031) 7.62 (.300) Keyway 1.72 -1.90 W. x 0.88 -1.02 D. (.068 -.075) (.035 -.040)</p>	 <p>33.32 (1.312) 19.05 (.750) 11.89 (15/32 -32 Thd.) 36° 18° 14.27 (.562) 11.88 (.468) 23.11 (.910) 0.78 Ref. (.031) 6.85 (.270) Keyway 1.72 -1.90 W. x 0.88 -1.02 D. (.068 -.075) (.035 -.040)</p>



2 TOGGLE SWITCHES

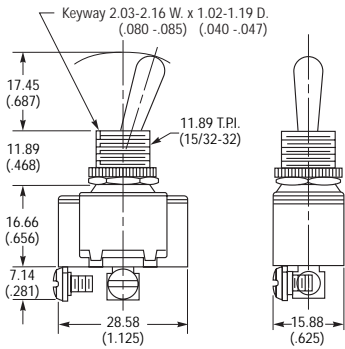
General Purpose Toggle Switches — AC Rated (continued)

DIMENSIONS — 7500, 7600, 7700, 7900 SERIES APPROXIMATE IN MM (INCHES)

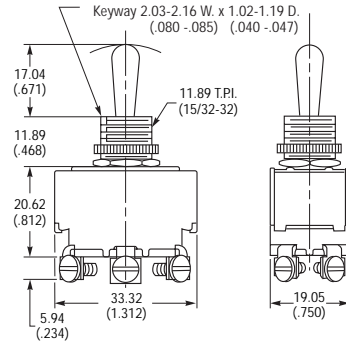
2PDT MOMENTARY (SPADE TERMINALS)	3PDT MAINTAINED & MOMENTARY (SCREW TERMINALS)
<p>33.32 (1.312)</p> <p>19.05 (.750)</p> <p>Keyway 1.72-1.90 W. x 0.88-1.02 D. (.068 -.075) (.035 -.040)</p> <p>11.89 (15/32 - 32 Thd.)</p> <p>36°</p> <p>18°</p> <p>14.27 (.562)</p> <p>11.88 (.468)</p> <p>23.11 (.910)</p> <p>0.78 Ref. (.031)</p> <p>11.18 (.440)</p>	<p>31°</p> <p>15.5°</p> <p>11.89 (15/32 - 32 Thd.)</p> <p>17.47 (.688)</p> <p>11.91 (.469)</p> <p>24.51 (.965)</p> <p>7.62 (.300)</p> <p>0.78 Ref. (.031)</p> <p>33.85 Max. (1.333)</p> <p>36.49 (1.437)</p> <p>Keyway 1.72 -1.90 W. x 0.88 -1.02 D. (.068 -.075) (.035 -.040)</p>
3PDT MAINTAINED & MOMENTARY (SOLDER LUGS)	3PDT MAINTAINED & MOMENTARY (SPADE TERMINALS)
<p>31°</p> <p>15.5°</p> <p>11.89 (15/32 - 32 Thd.)</p> <p>17.47 (.688)</p> <p>11.91 (.469)</p> <p>24.51 (.965)</p> <p>6.85 (.270)</p> <p>0.78 Ref. (.031)</p> <p>33.85 Max. (1.333)</p> <p>36.49 (1.437)</p> <p>Keyway 1.72 -1.90 W. x 0.88 -1.02 D. (.068 -.075) (.035 -.040)</p>	<p>31°</p> <p>15.5°</p> <p>11.89 (15/32 - 32 Thd.)</p> <p>17.47 (.688)</p> <p>11.91 (.469)</p> <p>24.51 (.965)</p> <p>11.17 (.440)</p> <p>0.78 Ref. (.031)</p> <p>33.85 Max. (1.333)</p> <p>36.49 (1.437)</p> <p>Keyway 1.72 -1.90 W. x 0.88 -1.02 D. (.068 -.075) (.035 -.040)</p>
4PDT MAINTAINED & MOMENTARY (SCREW TERMINALS)	4PDT MAINTAINED & MOMENTARY (SOLDER LUGS)
<p>Keyway 1.72 -1.90 W. x 0.88 -1.02 D. (.068 -.075) (.035 -.040)</p> <p>17.47 (.688)</p> <p>11.91 (.469)</p> <p>11.89 (15/32 - 32 Thd.)</p> <p>36.49 (1.437)</p> <p>32.13 (1.265)</p> <p>7.62 (.300)</p> <p>0.78 Ref. (.031)</p> <p>33.85 Max. (1.333)</p>	<p>Keyway 1.72 -1.90 W. x 0.88 -1.02 D. (.068 -.075) (.035 -.040)</p> <p>17.47 (.688)</p> <p>11.91 (.469)</p> <p>11.89 (15/32 - 32 Thd.)</p> <p>36.49 (1.437)</p> <p>39.26 (1.546)</p> <p>31.11 (1.225)</p> <p>6.85 (.270)</p> <p>0.78 Ref. (.031)</p> <p>1.333 Max. (33.85)</p>
4PDT MAINTAINED & MOMENTARY (SPADE TERMINALS)	
<p>Keyway 1.72 -1.90 W. x 0.88 -1.02 D. (.068 -.075) (.035 -.040)</p> <p>36.49 (1.437)</p> <p>39.26 (1.546)</p> <p>33.85 Max. (1.333)</p>	<p>17.47 (.688)</p> <p>11.91 (.469)</p> <p>11.89 (15/32 - 32 Thd.)</p> <p>35.68 (1.405)</p> <p>11.17 (.440)</p> <p>0.78 Ref. (.031)</p>

DIMENSIONS — 7800 SERIES APPROXIMATE IN MM (INCHES)

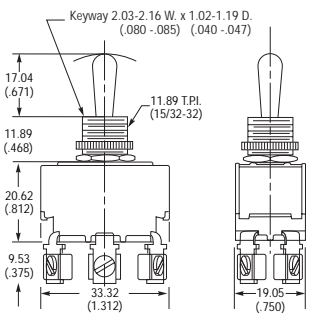
1PST MAINTAINED (SCREW TERMINALS)



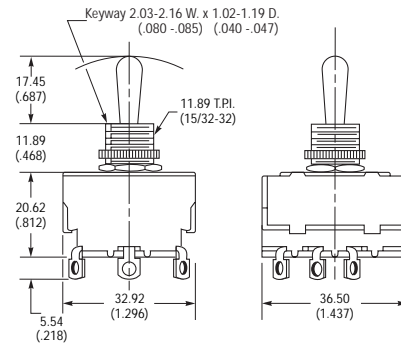
2PDT MAINTAINED (SCREW TERMINALS)



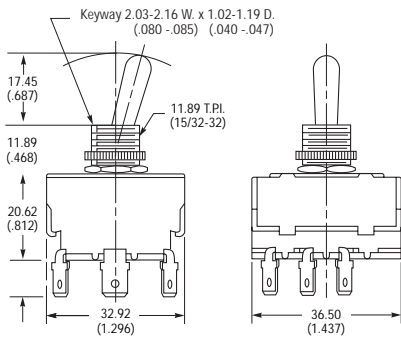
2PDT MAINTAINED (COMBI-TERMINALS)



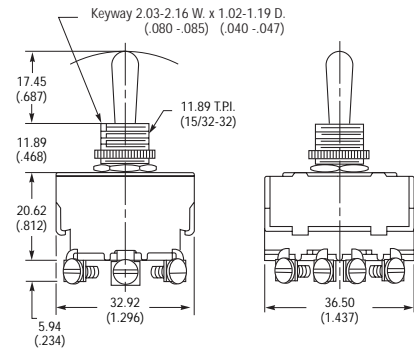
3PDT MAINTAINED (SCREW TERMINALS)



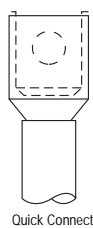
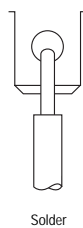
3PDT MAINTAINED (.250 SPADE TERMINALS)



4PDT MAINTAINED (SCREW TERMINALS)



COMBI-TERM TERMINATION OPTIONS



2 TOGGLE SWITCHES

General Purpose Toggle Switches — AC/DC Rated

DESCRIPTION

This line of switches employs a Quick-make/Quick-break contact mechanism. The resultant high speed movement eliminates the "teasing" of the switch and reduces the pitting of the contact surfaces due to arcing. Self-cleaning and wiping contact action assures positive contact on switch operation. These switches are especially suited for use in small motor applications.

SPECIFICATIONS

Ratings:

See selection table.

Circuits:

1PST, 1PDT, 2PST, 2PDT.

Maintained and momentary toggle action.

Contact Mechanism:

Quick-make/Quick-break wiping action.

Contact Material:

Bronze silver plated.

Terminal Types:

Screw Terminals — Brass designed to accept #5-40 x 5/32" (Cat. No. 11-26) screws. Furnished unassembled.

Solder Lug Terminals — Brass silver plated with 2.16 - 2.29mm (.085 - .090") dia. hole.

Integrated Wire Leads — 18 gauge, 6" long and skinned 3/4". Special wire leads lengths beyond 6" are available at additional charge.

Base Material:




Thermoset molding material.

Mounting Means:

Threaded Bushing — 11.89mm (.468") dia., 32 threads/inch.

Keyway — 1.73 x .89mm deep (.068 x .035" deep), provides antirotation feature.

AC/DC RATED TOGGLES SELECTION TABLE (BOLD FACE TYPE INDICATES ITEMS NORMALLY IN DISTRIBUTOR STOCK)

Rating	Poles and Throw	Circuit with Toggle in			BASE CIRCUIT SEE PAGE 4.28	Bushing Length B mm (inches)	Lever Length A mm (inches)	CATALOG NUMBERS		
		UP Position 	CENTER Position 	DOWN Position (Keyway) 				Solder Lugs	Screw Terminals	Wire Leads
ONE POLE										
3A, 250V dc	1 P.S.T.	ON	NONE	OFF	A	8.74 (.344)	12.70 (.500)	8280K115	8295K107	8290K115
6A, 125V ac/dc 3A, 250V dc	1 P.S.T.	ON	NONE	OFF	A	8.74 (.344)	12.70 (.500)	8381K107	8396K107	8391K107
		ON ON*	NONE NONE	OFF OFF		11.91 (.469)	12.70 (.500)	8381K108	8396K108	8391K108
6A, 125V ac/dc 3A, 250V dc	1 P.D.T.	ON	NONE	ON	B	11.91 (.469)	12.70 (.500)	8928K479	—	—
TWO POLE										
6A, 125V ac/dc 3A, 250V dc	2 P.S.T.	ON ON*	NONE NONE	OFF OFF	C	11.91 (.469) 11.91 (.469)	12.70 (.500) 12.70 (.500)	8370K107 8928K481	8372K107 8928K482	8371K107 —
	2 P.D.T.	ON ON	NONE NONE	ON ON	D	8.74 (.344) 11.91 (.469)	12.70 (.500) 12.70 (.500)	8373K108 8373K107	8375K108 8375K107	8374K108 8374K107

* Momentary Contact.

Hardware supplied —
 1 hexagon locknut
 (Cat. No. 15-192) and
 1 bright nickel plated knurled
 facenut (Cat. No. 15-124F1).
 Furnished unassembled.

Finish:

Bright nickel plated toggle
 lever and bushing.

Operating

Temperature Range:

-17.8°C to +65.6°C
 (0°F to +150°F).

Options:

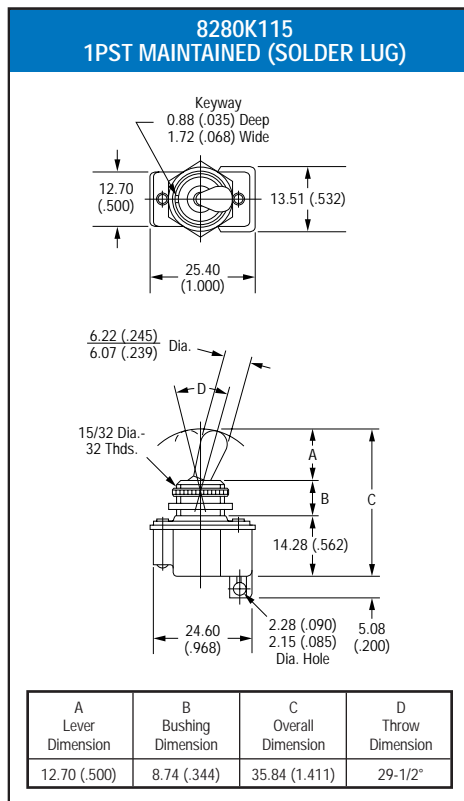
- Lever —11/16"
- Lever seal.
- Mounting hardware.
 Furnished assembled.
- Other lead lengths.

Approvals:

UL Recognized.
 CSA Certified.



DIMENSIONS APPROXIMATE IN MM (INCHES)



Dimensions continue on [page 2.10](#).



8280K115



8372K107



8290K115



8374K107

2 TOGGLE SWITCHES

General Purpose Toggle Switches — AC/DC Rated (continued)

DIMENSIONS APPROXIMATE IN MM (INCHES)

8290K115 1PST MAINTAINED (WIRE LEAD)		8295K107 1PST MAINTAINED (SCREW TERMINALS)		8381K107 & K108 1PST MAINTAINED (SOLDER LUG)	
A Lever Dimension	B Bushing Dimension	C Overall Dimension	D Throw Dimension	A Lever Dimension	B Bushing Dimension
12.70 (.500)	8.74 (.344)	35.71 (1.406)	29-1/2"	12.70 (.500)	8.74 (.344)
12.70 (.500)	11.91 (.469)	42.06 (1.656)	25-1/2"	12.70 (.500)	11.91 (.469)
8391K107 & K108 1PST MAINTAINED (WIRE LEAD)		8396K107 & K108 1PST MAINTAINED (SCREW TERMINALS)		8928K478 1PST MOMENTARY (SOLDER LUG)	
A Lever Dimension	B Bushing Dimension	C Overall Dimension	D Throw Dimension	A Lever Dimension	B Bushing Dimension
12.70 (.500)	8.74 (.344)	38.89 (1.531)	29-1/2"	12.70 (.500)	8.74 (.344)
12.70 (.500)	11.91 (.469)	42.06 (1.656)	25-1/2"	12.70 (.500)	11.91 (.469)
A Lever Dimension	B Bushing Dimension	C Overall Dimension	D Throw Dimension	A Lever Dimension	B Bushing Dimension
12.70 (.500)	8.74 (.344)	50.29 (1.980)	29-1/2"	12.70 (.500)	8.74 (.344)
12.70 (.500)	11.91 (.469)	42.06 (1.656)	25-1/2"	12.70 (.500)	11.91 (.469)

DIMENSIONS APPROXIMATE IN MM (INCHES)

8370 & 8373K107 & K108
2PST/2PDT MAINTAINED (SOLDER LUG)

A Lever Dimension	B Bushing Dimension	C Overall Dimension	D Throw Dimension
12.70 (.500)	8.74 (.344)	43.03 (1.694)	29-1/2"
12.70 (.500)	11.91 (.469)	46.23 (1.820)	25-1/2"

8371 & 8374K107 & K108
1PST MAINTAINED (WIRE LEAD)

A Lever Dimension	B Bushing Dimension	C Overall Dimension	D Throw Dimension
12.70 (.500)	8.74 (.344)	37.69 (1.484)	29-1/2"
12.70 (.500)	11.91 (.469)	38.48 (1.515)	25-1/2"

8373 & 8375107 & K108
2PST/2PDT MAINTAINED (SCREW TERMINALS)

A Lever Dimension	B Bushing Dimension	C Overall Dimension	D Throw Dimension
12.70 (.500)	8.74 (.344)	37.69 (1.484)	29-1/2"
12.70 (.500)	11.91 (.469)	40.87 (1.609)	25-1/2"

2 TOGGLE SWITCHES

Industrial Purpose Toggle Switches — AC/DC Rated

DESCRIPTION

The Industrial Toggle Switch Line employs a Quick-make/Quick-break wiping action contact mechanism. Large, well separated terminals reduce the possibility of electrical creepage and insure separation of loose wire strands from adjacent leads.

These switches are designed for heavy duty applications, such as industrial power tools and floor cleaning/polishing equipment.

SPECIFICATIONS

Ratings:

See selection table.

Circuits:

1PST, 2PST, 2PDT.

Maintained contact action.

Contact Mechanism:

Quick-make/Quick-break wiping action.

Contact Material:

Movable — Copper silver plated.

Stationary — Bronze silver plated.

Terminal Types:

Screw Terminals —

7320 & 7321 Series:

Brass designed to accept #5-40 x 1/4" (Cat. No. 811-14) binding head screws. Furnished unassembled.

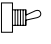
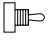

7360 & 7361 Series:

Brass designed to accept #6-32 x 1/4" (Cat. No. 811-161) binding head screws. Furnished unassembled.

8690 Series:

Brass designed to accept #6-32 x 1/4" (Cat. No. 811-7248) binding head screws. Furnished unassembled.

INDUSTRIAL PURPOSE SELECTION TABLE

Rating	Poles and Throw	Circuit with Toggle in			BASE CIRCUIT SEE PAGE 4.28	Bushing Length A mm (inches)	Lever Length B mm (inches)	CATALOG NUMBERS
		UP Position 	CENTER Position 	DOWN Position  (Keyway)				Screw Terminals
ONE POLE — STANDARD		ONE POLE — STANDARD						
16A, 125V ac/dc 8A, 250V ac/dc 1 Hp, 125V ac/dc	1 P.S.T.	ON	NONE	OFF	A	11.91 (.469)	16.66 (.656)	7321K3
20A, 125V ac/dc 10A, 250V ac/dc 1 Hp, 250V ac 1 1/2 Hp, 250V dc	1 P.S.T.	ON	NONE	OFF	A	11.91 (.469)	16.66 (.656)	7361K5
TWO POLE — STANDARD		TWO POLE — STANDARD						
16A, 125V ac/dc 8A, 250V ac/dc 1 Hp, 125V ac/dc	2 P.S.T.	ON	NONE	OFF	C	8.74 (.344) 11.91 (.469)	16.66 (.656) 16.66 (.656)	7320K2 7320K3
20A, 125V ac/dc 10A, 250V ac/dc 1 1/2 Hp, 125V ac/dc 1 1/2 Hp, 250V ac/dc	2 P.S.T.	ON	NONE	OFF	C	8.74 (.344) 11.91 (.469)	16.66 (.656) 16.66 (.656)	7360K7 7360K8
20A, 250V ac/dc 1 1/2 Hp, 125V ac/dc 2 Hp, 250V ac/dc	2 P.S.T.	ON	NONE	OFF	C	8.74 (.344) 11.91 (.469)	20.65 (.813) 20.65 (.813)	7402K3 7402K4
5A, 125V ac/dc 10A, 250V ac/dc	2 P.D.T.	ON	NONE	ON	D	11.91 (.469)	20.65 (.813)	8690K2

7402 Series:
 Brass designed to accept
 #8-32 x 3/8" binding
 (Cat No. 11-1766)
 head screws.
 Furnished unassembled.

Base Material:

Thermoset molding material.

Lever Material and Finish:

Bright nickel plated brass.

Mounting Means:

Threaded Bushing —
 0.468" dia., 32 threads/inch.

Keyway — .068 x .035" deep,
 provides antirotation feature.

Hardware Supplied —
 1 hexagon locknut
 (Cat. No. 15-192) and
 1 bright nickel plated
 hexnut (Cat. No. 15-966-2).
 Furnished unassembled.

**Operating
 Temperature Range:**

0°C to +55°C
 (32°F to +131°F).

Options:

- Spade terminals.
- Different bushing sizes.
- Special markings.
- Dust resistant lever seals.

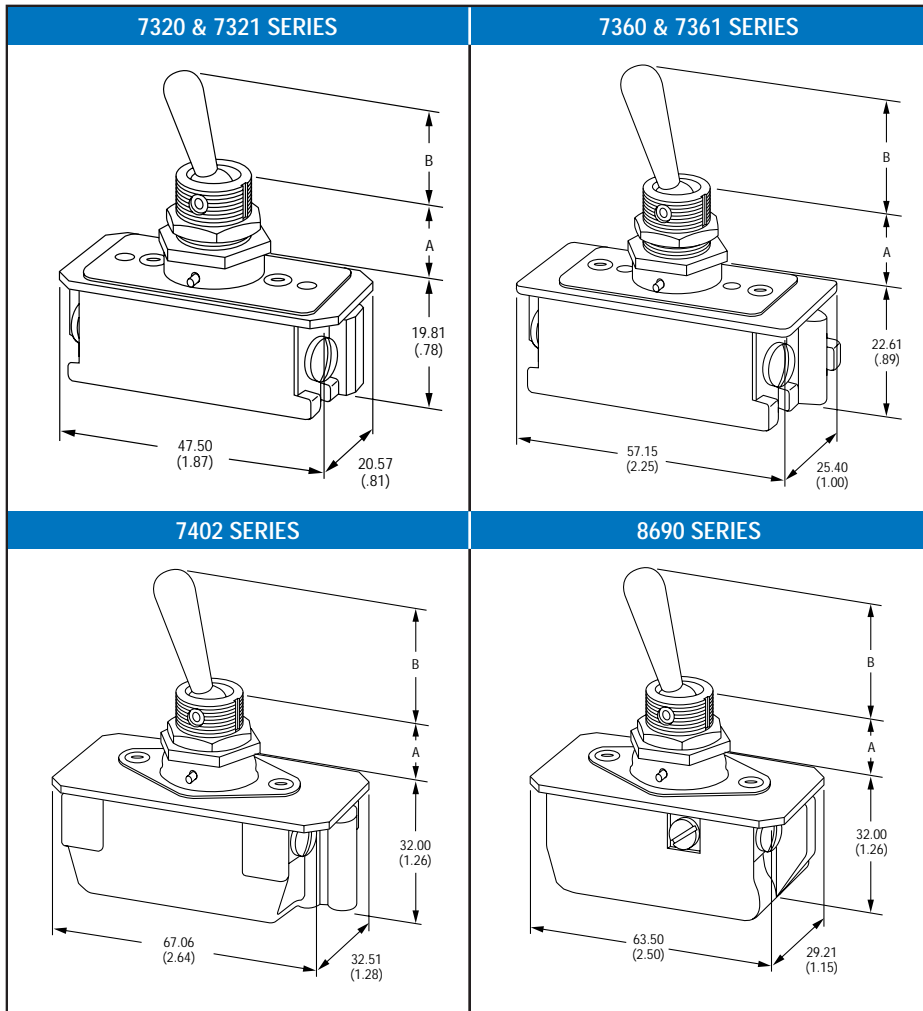
Approvals:

UL Recognized.

CSA Certified.



DIMENSIONS APPROXIMATE IN MM (INCHES)



7321K3



7360K7



7402K4



8690K2

2 TOGGLE SWITCHES

Special Purpose — Illuminated AC Rated

DESCRIPTION

These illuminated switches are available only in single pole circuitry. A two pole base is utilized with one pole housing the lamp. On single throw circuits, the lamp is wired to operate in conjunction with the switch. On double throw circuits, the

lamp is independent of the switch. On the sealed versions, a silicone rubber seal is fitted to the paddle lever to provide a moisture and dust resistant seal between the lever and bushing.

SPECIFICATIONS

Circuits:

1PST and 1PDT.
Maintained and momentary action.

Contact Material:

Movable — Silver plated copper.
Stationary — Silver plated copper.

Terminal Types:

Spade Terminals — Brass.

Lever Material:

Colored thermoplastic paddle lever.

Refer to pages 2.2-2.3 for general specifications.

HOW TO ORDER — ILLUMINATED TOGGLES

To determine your **Complete Catalog Number** you must start with the appropriate **Base Circuit Number** and add the appropriate **Code Letters and/or Numbers** as in the example below:

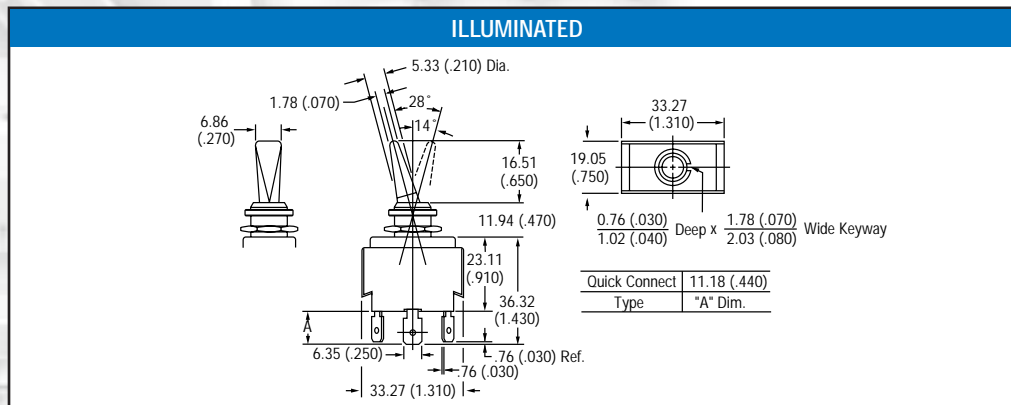
Start with this Base Circuit Number	...add each appropriate Code Number or Letter...			...to get to your Complete Catalog Number
Base Circuit Catalog Number	Lever Color	Bulb Voltage	Termination Type	Complete Catalog Number
7071K21	G	1	52	7071K21G152

ILLUMINATED AC RATED TOGGLE SELECTION TABLE

Rating	Poles and Throw	Circuit with Toggle in			BASE CATALOG NUMBER	BASE CIRCUIT SEE PAGE 4.28	CODE LETTERS AND NUMBERS — ADD TO BASE CIRCUIT NUMBER									
		UP Position	CENTER Position	DOWN Position (Keyway)			Lever Color		Bulb Voltage		Termination					
							Color	Code	Voltage Type	Code	Termination Type	Code				
ILLUMINATED AC TOGGLE SWITCHES — STANDARD																
15A, 125V ac 10A, 250V ac 3/4 Hp, 250V ac	1 P.S.T.	ON	NONE	OFF	7071K21	G	Green	G	14V	1	.250" Spade	52	Red	T	Amber	A
ILLUMINATED AC TOGGLE SWITCHES — SEALED																
15A, 125V ac 10A, 250V ac 3/4 Hp, 250V ac	1 P.S.T.	ON	NONE	OFF	7073K21	G	Green	G	14V	1	.250" Spade	52	Red	T	Amber	A
	1 P.D.T.	ON ON*	OFF OFF	ON ON*	7073K20 7073K25	H										

* Momentary Contact.

DIMENSIONS APPROXIMATE IN MM (INCHES)



Double Insulated — Industrial and VDE

DESCRIPTION

This line of Double Insulated toggles comes in two versions: Industrial and VDE Class II. The VDE version has the VDE registration number 80861239 and has been tested in accordance with VDE 0630.

SPECIFICATIONS

Lever Material and Finish:

Durable high strength nylon.

Contact Mechanism:

Quick-make/Quick-break wiping action.

Contact Material:

Movable — Copper silver plated.

Stationary — Bronze silver plated.

Approvals:

UL Recognized.

CSA Certified.

VDE Registered (where noted).



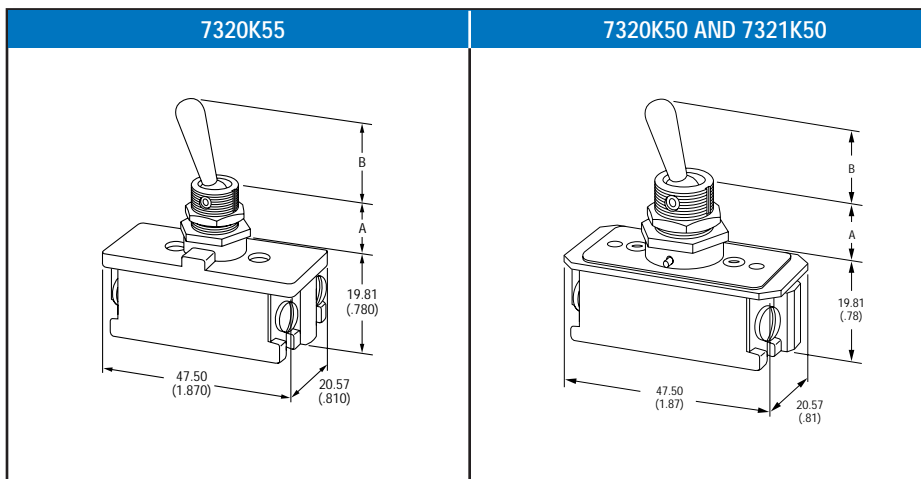
Refer to pages 2.12-2.13 (Industrial Purpose) for general specifications.

DOUBLE INSULATED SELECTION TABLE

Rating	Poles and Throw	Circuit with Toggle in			BASE CIRCUIT SEE PAGE 4.28	Bushing Length A mm (inches)	Lever Length B mm (inches)	CATALOG NUMBERS
		UP Position	CENTER Position	DOWN Position (Keyway)				
SINGLE POLE — INDUSTRIAL								
16A, 125V ac/dc 8A, 250V ac/dc 1 Hp, 125V ac/dc	1 P.S.T.	ON	NONE	OFF	A	11.89 (.468)	17.12 (.674)	7321K50
TWO POLE — INDUSTRIAL								
16A, 125V ac/dc 8A, 250V ac/dc 1 Hp, 125V ac/dc	2 P.S.T.	ON	NONE	OFF	C	11.89 (.468)	17.12 (.674)	7320K50
VDE APPROVED (MEETS REQUIREMENTS OF CEE PUBL. 25)								
16A, 125V ac/dc 8A, 250V ac/dc ① 1 Hp, 125V ac/dc	2 P.S.T.	ON	NONE	OFF	C	11.89 (.468)	17.12 (.674)	7320K55

① VDE 8(8) 250V, T85C.

DIMENSIONS APPROXIMATE IN MM (INCHES)



7073K20G152
Illuminated



7071K21T152
Illuminated



7071K21A152
Illuminated



7320K55
Double Insulated

2 TOGGLE SWITCHES

Special Purpose Toggle Switches — Panelboard Switches

DESCRIPTION

This group of two position power toggle switches is used by manufacturers in a wide variety of applications that require dependability and long service, such as welding equipment, commercial floor polishers, battery chargers, food processors and panelboards.

SPECIFICATIONS

Rating:

10-60A, 120-600V.

See selection table.

Circuits:

1PST, 2PST, 3PST, 2 circuit.

Maintained.

Except for: **8980K13**; Momentary.

Contact Mechanism:

Quick-make/Quick-break wiping action.

Except for: **8980K13**:

Quick-make/Quick-break butt contact.

Contact Material:

Movable — Bronze.

Stationary — Copper.

8980K13 — Silver.

Type of Termination:

Screw or bus.

Termination Material:

Copper.

Mounting Means:

Two Hole Mounting — Panel Type Flush.

Dielectric Withstand:

1,000 Volts RMS minimum.

Operating Temperature Range:

-17.8°C to +65.6°C
(0°F to +150°F).

Approvals:

UL Recognized.

CSA Certified as noted.



PANEL BOARD SWITCH SELECTION TABLE (BOLD FACE TYPE INDICATES ITEMS NORMALLY IN DISTRIBUTOR STOCK)

Rating	Poles and Throw	Mounting	Terminals	CATALOG NUMBERS
60A, 250V ac/dc 2 Hp, 125-250V ac/dc ❶	2 P.S.T.			8980K1 ❷
30A, 250V ac/dc 30A, 125V "T" 2 Hp, 120-240V ac	1P Double Break	Frame Plate	Center Bus	8980K2
30A, 250V ac/dc 30A, 125V "T" 2 Hp, 120-250V ac	1P Quad Break	Frame Plate	Center Bus	8980K3
30A, 250V ac/dc 20A, 600V ac 2 Hp, 120-600V ac	2 P.S.T.	Panel Type Strap	Screw	8980K5
30A, 250V ac/dc 20A, 600V ac 2 Hp, 120-600V ac 3 Phase	3 P.S.T.	Panel Type	Screw	8980K6
60A, 250V dc/575V ac 5 Hp, 230-575V ac 1 Phase 2 Hp, 125V dc 5 Hp, 250V dc	2 P.S.T.	Panel Type	Bus	8980K7
20A, 120-240V ac 2 Hp, 240V ac	2 P.S.T. (N.O.)	Panel Type Strap	Screw	8980K13 ❸❹
30A, 250V ac/dc 2 Hp, 120V-240V ac 1 Hp, 480V ac	2 P.S.T.	Panel Type Strap	Screw	8980K14 ❸
30A, 250V ac/dc 2 Hp, 120-240V ac	2 P.S.T.	Panel Type Strap	Screw	8980K16

❶ For appliance use only; 32A, 480V ac; 25A 600V ac.

❷ CSA Certified.

❸ Binding screws assembled. For binding screws provided unassembled, order **8980K30**.

❹ Suitable for side or back wiring.



8980K1



8980K2



8980K3



8980K5



8980K6



8980K7



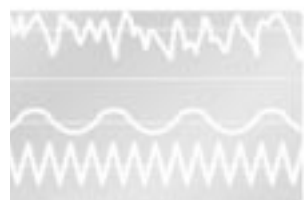
8980K13



8980K14



8980K16



2 TOGGLE SWITCHES

Special Purpose Toggle Switches — Outlet Box — 8337K2

DESCRIPTION

The switch mechanism on this toggle switch is enclosed in a molded housing. A one piece actuator block is provided with spring loaded detent plungers for "feel" and positioning to insure contact pressure and provide a substantial wear allowance. Large insulating barriers between terminals prevent electrical creepage and insure separation of loose wire strands. Metal parts visible when the switch is mounted are bright nickel plated. These switches have a flat zinc lever with an aluminum ball.

SPECIFICATIONS

Ratings:

- 20A, 250V ac.
- 1-1/2 Hp, 115V ac 1-Ph.
- 2 Hp, 115V ac 3-Ph.
- 2 Hp, 230-460-575V ac
1 through 3 Ph.

Circuits:

- 3PST maintained action.
- ON-NONE-OFF.
- Circuit Number E, [see page 4.28](#).

Contact Mechanism:

Slow-make/Slow-break
butt contact.

Contact Material:

Movable and Stationary —
Solid silver.

Terminal Type:

Screw Terminals —
Brass designed to accept
#6-32 x 6.35mm (.250") binding
head (Cat. No. 811-161) screws.
Furnished unassembled.

Mounting Means:

O.B.M. — Switches have
countersunk mounting holes
spaced for Outlet Box Mounting.

Finish:

Flat zinc lever with aluminum
ball tip.

Options:

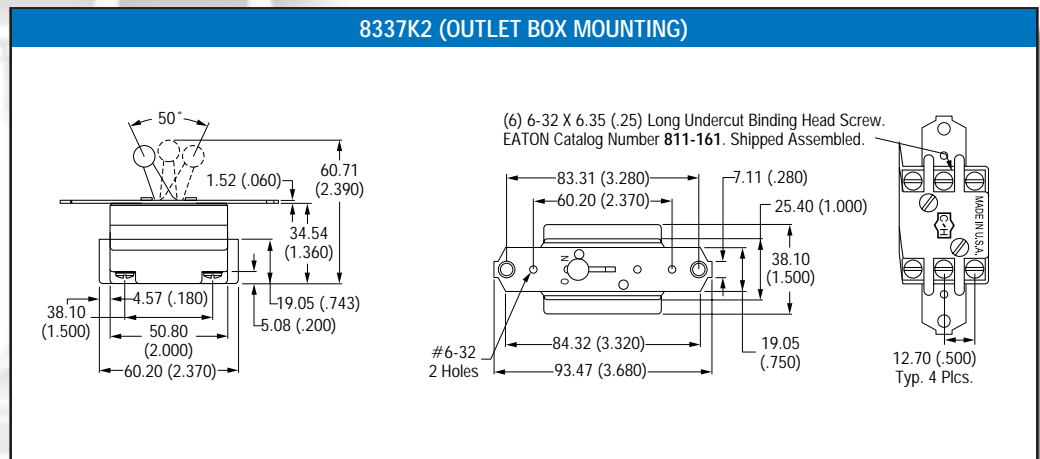
- Terminal screws assembled.
- Wire clamps on terminal screws.

Approvals:

UL Recognized.
CSA Certified.



DIMENSIONS APPROXIMATE IN MM (INCHES)



High Capacity Toggle Switch — 7818K1

DESCRIPTION

The heavy duty, high capacity switch (Cat. No. 7818K1) is ideal for exceptionally high power applications, heavy duty motor loads and for use in welding equipment or similar industrial applications.

HIGH CAPACITY OVERVIEW

Capacitive loads will result in a current inrush far exceeding normal operating current. In fact, the typical capacitive load inrush current, shown in Figure 2, is potentially more damaging to a switch than a typical inductive load inrush. The major difference is that the capacitive load can reach maximum inrush sooner. Generally, peak inductive load current inrush (figure 1) occurs after any switch contact bounce has subsided. In a capacitive load, however, switch contact bounce could occur at the same time as maximum current inrush, increasing the possibility of

arcing, and of welding the switch contact. EATON has addressed this problem with its high inrush switch.

By combining innovative design and quality materials, this switch is designed to carry the specified maximum inrush current for 10 milliseconds for a minimum of 20,000 On/Off cycles.

SPECIFICATIONS

Ratings:

40A, 600V ac.
5 Hp, 250V ac.

Circuits:

2PST — maintained.

Contact Mechanism:

Quick-make/Quick break snap acting butt contact.

Make: 200A peak inrush at 125V ac for 10 ms for 20,000 cycles minimum.

Break: 20A at 125V ac for 20,000 cycles minimum.

Contact Material:

10% silver cadmium oxide composite.

Terminal Type:

Screw Terminals — Brass (Cat. No. 11-6074-4) supplied. Furnished unassembled.

Mounting Means:

Molded flush mounting bracket, high impact polycarbonate, 84.12mm (3.312"), center-to-center spacing and 60.33mm (2.375") spacing for self-tapping screws.

Lever:

Nylon.

Base:

Molded thermoset material.

Dielectric Withstand:

2200V RMS minimum.

Approvals:

UL to Standard 508, File E147754.

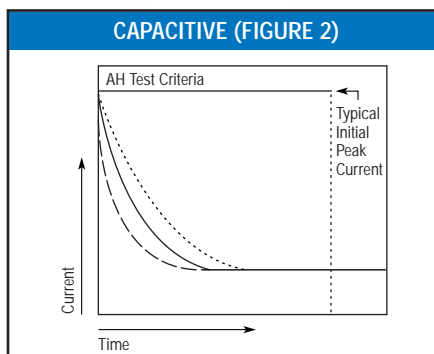
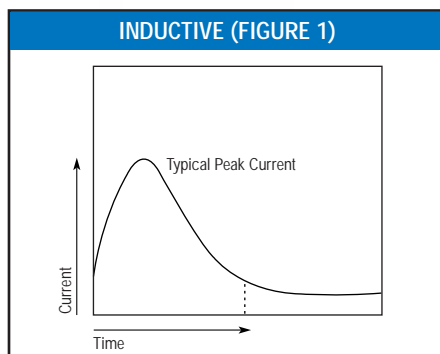
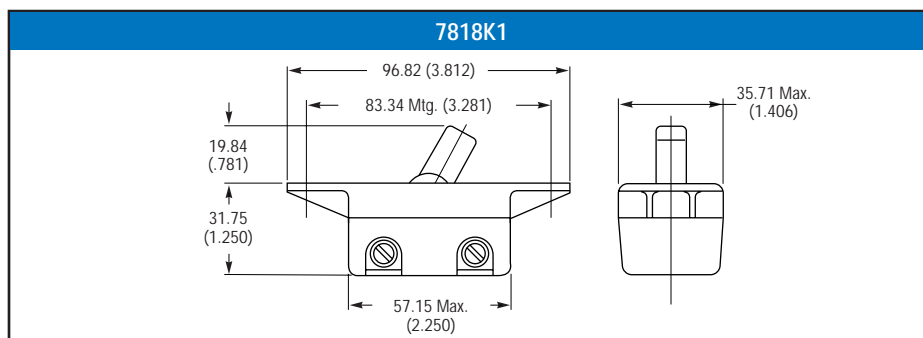


8337K2
Outlet Box Mounting



7818K1
High Capacity

DIMENSIONS APPROXIMATE IN MM (INCHES)



2 TOGGLE SWITCHES

Special Purpose Heavy Duty and Heavy Duty Hesitation Switches

DESCRIPTION

One Hole Panel Mount




These heavy duty toggle switches are available in either two or three position. The three position switches offer a unique positive center stop feature which assures that the lever cannot be thrown from one side through the center "OFF" position without stopping. This design feature is a major factor in their widespread

acceptance for motor reversing and speed control applications. The most common application for the switch is to help prevent motor damage resulting from the high current generation by counter EMF of the armature at the time of reversing. This type of device is referred to within the industry as an anti-plugging, hesitation, positive stop or positive off switch. Typical applications include bench tools, coach and truck (electric lift) and X-Ray equipment.

Flush Mount

These three position switches also offer the positive center stop feature where the lever cannot be thrown from one side through the center "OFF" position without stopping. The high ratings of this series allow it to be used with a broad range of heavy duty applications. Copper contacts and brass screw terminals are standard.




ONE HOLE PANEL MOUNT SWITCH SELECTION TABLE (BOLD FACE TYPE INDICATES ITEMS NORMALLY IN DISTRIBUTOR STOCK)

Rating	Poles and Throw	Circuit with Toggle in			BASE CIRCUIT SEE PAGE 4.28	Bushing Length mm (inches)	Lever Length mm (inches)	Lever Type	CATALOG NUMBERS
		UP Position 	CENTER Position 	DOWN Position  (Keyway)					Screw Terminals
		ONE HOLE PANEL MOUNT			ONE HOLE PANEL MOUNT				
14A, 125V ac/dc 7A, 250V ac/dc 3/4 Hp, 125-250V ac/dc	2 P.D.T.	ON ON	NONE OFF	ON ON	D	10.31 (.406) 10.31 (.406)	13.49 (.531) 13.49 (.531)	Ball Ball	7814K1 7814K2
15A, 125V ac ① 10A, 250V ac 3/4 Hp, 250V ac	2 P.D.T.	ON	OFF	ON	D	11.89 (.468)	17.45 (.687)	Bat	7992K10
10A, 125V ac/dc 5A, 250V ac/dc	3 P.D.T.	ON	OFF	ON	F	10.31 (.406)	13.49 (.531)	Ball	7815K3
15A, 125V ac ① 10A, 250V ac 3/4 Hp, 250V ac	3 P.D.T.	ON	OFF	ON	F	11.89 (.468)	17.45 (.687)	Bat	7991K10
10A, 125V ac/dc 5A, 250V ac/dc	4 P.D.T.	ON	NONE	ON	F	10.31 (.406)	13.49 (.531)	Ball	7815K1 ②
10A, 125V ac/dc 5A, 250V ac/dc 1/2 Hp, 125-250V ac/dc	4 P.D.T.	ON	OFF	ON	F	10.31 (.406)	13.49 (.531)	Ball	7816K2
15A, 125V ac ① 10A, 250V ac 3/4 Hp, 250V ac	4 P.D.T.	ON	OFF	ON	F	11.89 (.468)	17.45 (.687)	Bat	7990K10

① Listed Rating for 125V ac also applies at 28V dc.

② Not UL Recognized.

FLUSH MOUNT SWITCH SELECTION TABLE

Rating	Poles and Throw	Circuit with Toggle in			Lever Type	Type of Termination	CATALOG NUMBERS
		UP Position 	CENTER Position 	DOWN Position  (Keyway)			Screw Terminals
		FLUSH MOUNT SWITCH			FLUSH MOUNT SWITCH		
20A, 125V ac/dc 10A, 250V ac/dc	2 P.D.T.	ON ON	NONE OFF	ON ON	Square Square	Screw Screw	7810K1 7810K2 ① ②
30A, 125V ac/dc 20A, 250V ac/dc	2 P.D.T.	ON	OFF	ON	Square	Screw	7811K2 ① ③
	3 P.D.T.	ON	OFF	ON	Square	Screw	7812K2
	4 P.D.T.	ON	OFF	ON	Square	Screw	7813K2

① CSA Certified.

② Also rated 5A, 600V ac; 1-1/2 Hp, 250V dc; 2 Hp, 240V ac.

③ Also rated 2 Hp, 250V ac/dc.

SPECIFICATIONS

Ratings:

See selection tables.

Circuits:

2PDT, 3PDT, 4PDT.
Maintained action.

Contact Mechanism:

One Pole Panel Mount

AC Rated Devices —
Slow-make/Slow-break
butt contact.

AC/DC Rated Devices —
Quick-make/Quick-break
wiping contacts.

Flush Mount

Quick-make/Quick-break
wiping contacts.

Contact Material:

One Pole Panel Mount

AC Rated Devices —
Movable — Silver plated
copper with fine or coin
silver contact face button.

Stationary — Copper with
fine or coin silver contact
face button.

AC/DC Rated Devices —

Movable — Copper.

Stationary — Bronze.

Flush Mount

Movable — Copper.

Stationary — Copper.

Terminal Types:

Screw Terminals — Brass.

Mounting Means:

One Pole Panel Mount

AC Rated Devices —
Threaded Bushing —
11.89mm (.468") dia.,
32 threads/inch.
Keyway — 1.73 x .89mm
deep (.068 x .035" deep),
provide anti-rotation feature.
Hardware Supplied —
1 hexagon locknut
(**Cat No. 15-192**) and 1 hex
facenut (**Cat No. 15-966-2**).
Furnished unassembled.

AC/DC Rated Devices —

Threaded Bushing —
19.05 mm (.750") dia.,
32 threads/inch.

Keyway — 2.59 x 2.64mm
(.102 x .104") x
1.04 x 1.09mm
(.041 - .043") deep.

Hardware Supplied —
2 hexnuts
(**Cat No. 15-1043**).
Furnished unassembled.

Flush Mount

Flush mounting panel tabs.

Dielectric Withstand:

1,000V RMS minimum.

Operating Temperature Range:

-17.8°C to +65.6°C
(0°F to +150°F).

Approvals:

UL Recognized
(except where noted).

CSA Certified
(where noted).



7814K2
Panel Mount



7815K1
Panel Mount



7810K2
Flush Mount

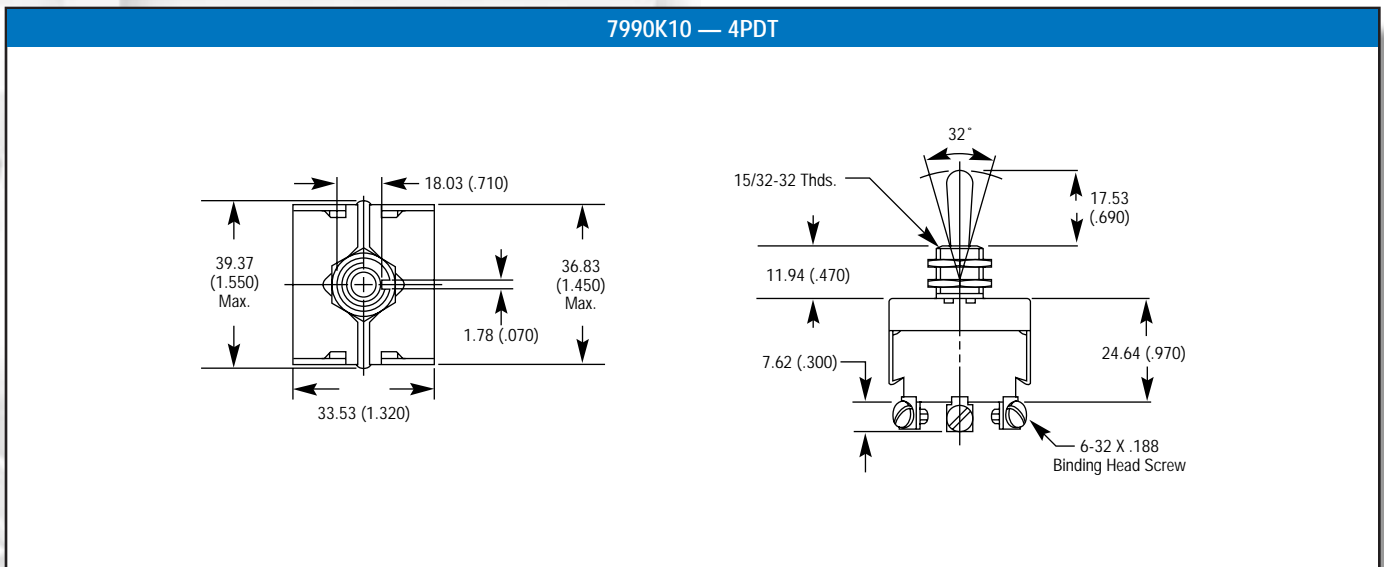
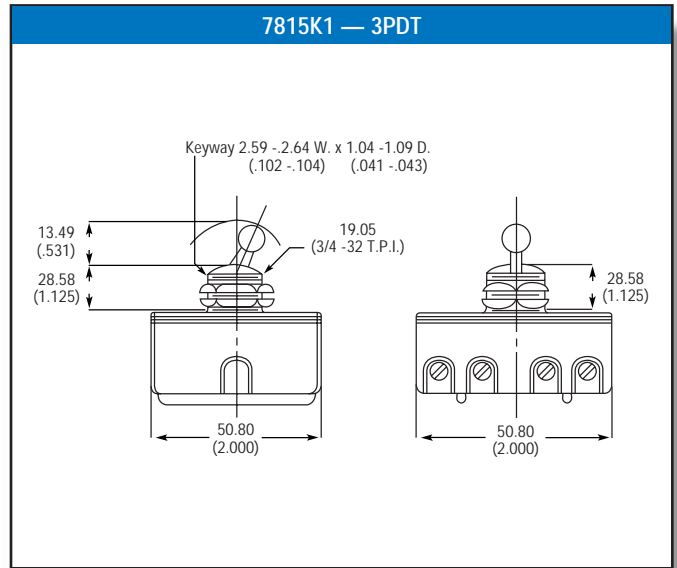
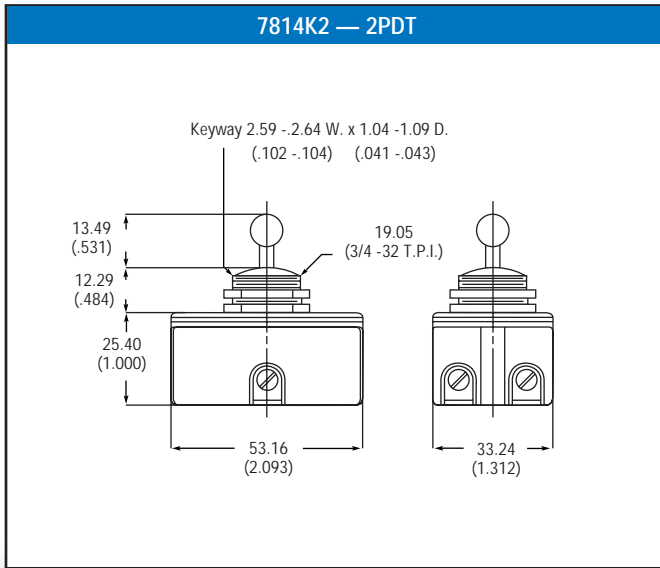


7811K2
Flush Mount

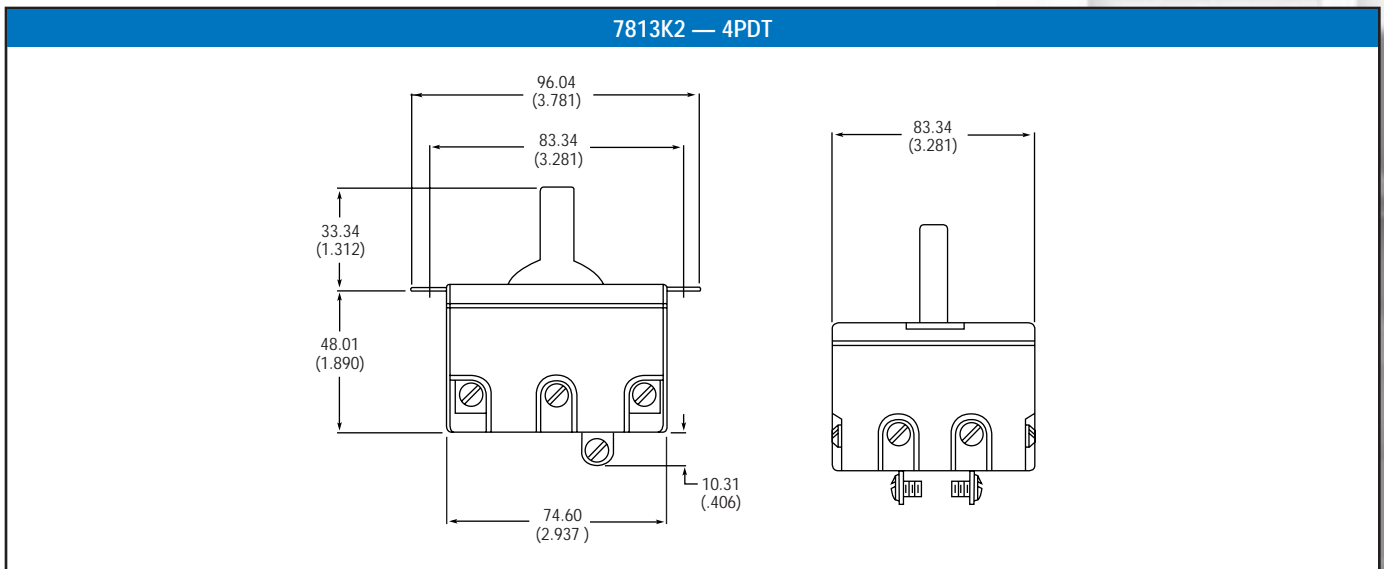
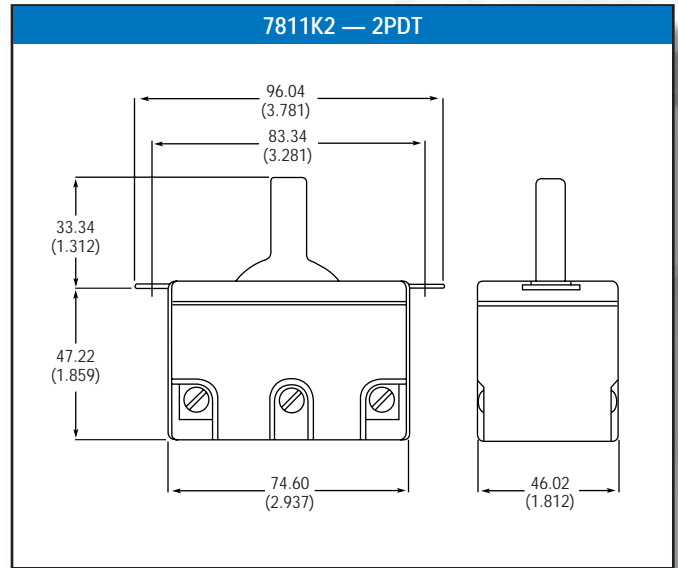
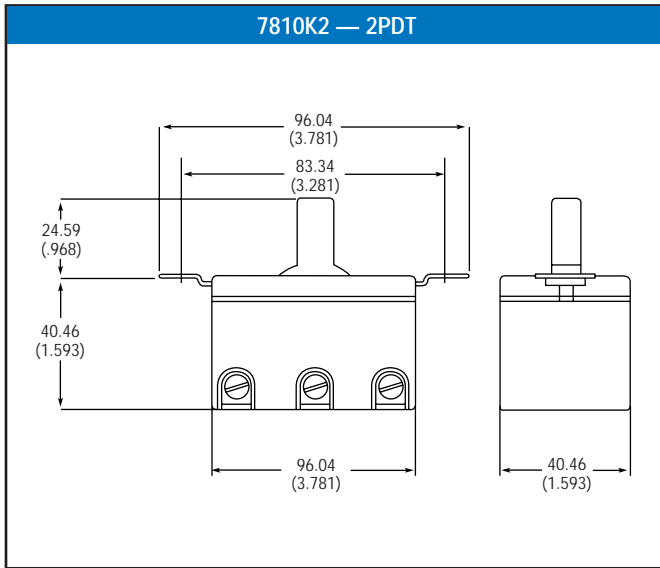
2 TOGGLE SWITCHES

Special Purpose Heavy Duty and Heavy Duty Hesitation Switches (continued)

ONE HOLE PANEL MOUNT DIMENSIONS APPROXIMATE IN MM (INCHES)



FLUSH MOUNT DIMENSIONS APPROXIMATE IN MM (INCHES)



2 TOGGLE SWITCHES

Military Purpose Toggle Switches

DESCRIPTION

Eaton's Military Purpose switches are designed to meet the requirements of MIL-S-83731 or JAN-S-23. Sealed Switches have a silicone rubber lever seal assembled between the lever and the bushing to resist the entrance of contaminants such as dust, sand or water into the contact structure.

The switch mechanisms are completely enclosed to resist the entrance of contaminants into the switch. All metal parts are plated to resist corrosion. The Heavy Duty Switches are offered in both Standard Toggle Lever and Lever

Lock versions. Circuit designations are stamped on the side of each switch.

SPECIFICATIONS

Ratings:

See selection table.

Circuits:

1PST, 1PDT, 2PST, 2PDT, 1P3T (ON-ON-ON), 4PST and 4PDT.

Maintained and momentary action.

Contact Action:

Heavy Duty

Slow-make/Slow-break butt contact.

Medium Duty

Quick-make/Quick break, wiping action.

Contact Material:

Heavy Duty


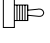

Movable — Silver plated copper with fine or coin silver contact face button.

Stationary — Copper with fine or coin silver contact face button.

Medium Duty

Movable — Copper silver plated.
Stationary — Bronze silver plated.

AC/DC RATED (MEDIUM DUTY) MIL-S-83731 SWITCHES SELECTION TABLE (BOLD FACE TYPE INDICATES ITEMS NORMALLY IN DISTRIBUTOR STOCK)

Rating	Poles and Throw	Circuit with Toggle in			BASE CIRCUIT SEE PAGE 4.28	Dimension "A" mm (inches)	Dimension "B" mm (inches)	CATALOG NUMBERS	
		UP Position 	CENTER Position 	DOWN Position (Keyway) 				Military or JAN (ST) Solder Lug Terminals	
								MIL-S-83731 With Sealed Lever	Catalog Number
SINGLE POLE									
1	1 P.S.T.	ON	NONE	OFF	A	—	23.01 (.906)	MS25098-22	8261K22
1		ON	NONE	OFF*				MS25098-29	8261K29
1		OFF	NONE	ON*				MS25098-30	8261K30
1	1 P.D.T.	ON	NONE	ON	B	23.80 (.937)	—	MS25098-23	8261K23
1		ON	NONE	ON*				MS25098-26	8261K26
DOUBLE POLE									
2	2 P.S.T.	ON	NONE	OFF	C	—	23.01 (.906)	MS25100-22	8262K22
2		ON	NONE	OFF*				MS25100-29	8262K29
2		OFF	NONE	ON*				MS25100-30	8262K30
3	2 P.D.T.	ON	NONE	ON	D	23.80 (.937)	—	MS25100-23	8262K23
3		ON	NONE	ON*				MS25100-26	8262K26

* Momentary Contact.

CURRENT RATINGS

Code From Selection Table	Part Number	CURRENT CAPACITY IN AMPERES PER POLE	
		125V ac, 60 Hz	
		Resistive Load	Inductive Load
1	All MS25098	3.0	1.5
2	MS25100-22, 29, 30	3.0	1.5
3	MS25100-23, 26	1.0	1.0

Terminal Types:

**Heavy Duty
MIL-S-83731 Types**

Screw Terminals — Brass designed to accept #6-32 x 6.35mm (.250") pan head (Cat. No. 11-1893) screws and Si bronze #6 Helical lockwasher (Cat. No. 16-1096).
Furnished unassembled.
Terminal screws are tin dipped to facilitate soldering if required.

Heavy Duty Jan-S-23 Types

Screw Terminals — Brass designed to accept #6-32 x 4.78mm (.188") binding head (Cat. No. 811-2) screws.
Furnished unassembled.

Solder Lug Terminals — Tintillate plated brass.

**Medium Duty
MIL-S-83731 Types**

Solder Lugs — Brass silver plated furnished with 2.39mm (.094") dia. hole.

Base Material:

Thermoset molding material.

Mounting Means:

Threaded Bushing — 11.89mm (.468") dia., 32 threads/inch.

Keyway — 1.73 x .89mm deep (.068 x .035" deep) — provides anti-rotation feature.

Hardware Supplied —

MIL-S-83731 Types:

2 hexagon facenuts (Cat. No. 15-966-6), 1 locking ring (Cat. No. 29-761) and 1 internal tooth lockwasher (Cat. No. 16-886).
Furnished unassembled.

Jan-S-23 Types:

2 hexagon facenuts (Cat. No. 15-966-6).
Furnished unassembled.

Dielectric:

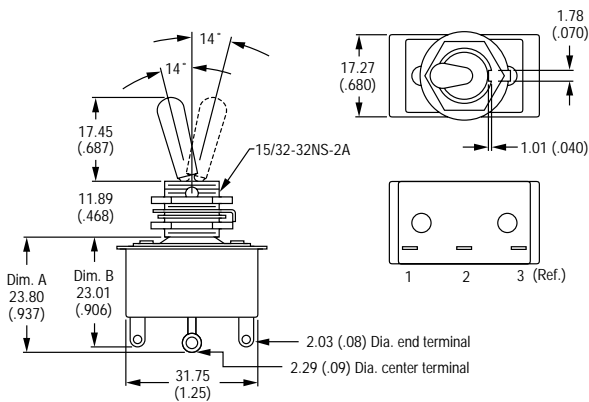
1000V RMS minimum.

Operating Temperature Range:

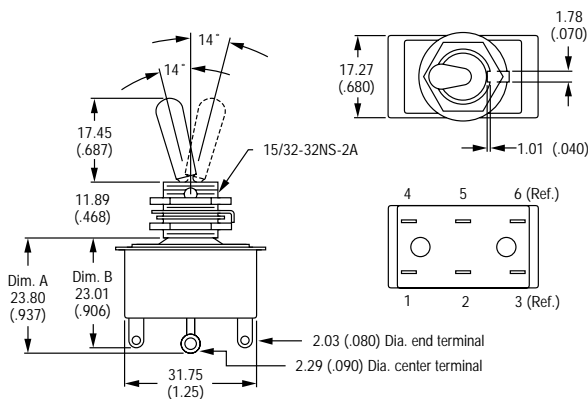
-17.8°C to +65.6°C (0°F to 150°F).

DIMENSIONS APPROXIMATE IN MM (INCHES)

1PDT MAINTAINED ACTION (SOLDER LUG)



2PDT MAINTAINED ACTION (SOLDER LUG)



8261K22
Medium Duty



8262K22
Medium Duty



8801K22
Heavy Duty


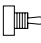
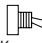


8820K16
Heavy Duty

2 TOGGLE SWITCHES

Military Purpose Toggle Switches (continued) AC Rated (Heavy Duty) MIL-S-83731 Switches with Lever Seal

AC RATED (HEAVY DUTY) MIL-S-83731 SWITCHES SELECTION TABLE (BOLD FACE TYPE INDICATES ITEMS NORMALLY IN DISTRIBUTOR STOCK)

Rating	Poles and Throw	Circuit with Toggle in			BASE CIRCUIT SEE PAGE 4.28	Bushing Length "A" mm (inches)	Lever Length "B" mm (inches)	CATALOG NUMBERS	
		UP Position	CENTER Position	DOWN Position				Screw Terminals with Sealed Lever	
				 (Keyway)				MS Part Number	Catalog Number
ONE POLE									
1 1 2 2 2 2	1 P.S.T.	ON ON ON ON NONE OFF	NONE OFF NONE OFF* OFF NONE	OFF NONE OFF* NONE ON* ON*	A	11.89 (.468) 11.89 (.468) 11.89 (.468) 11.89 (.468) 11.89 (.468) 11.89 (.468)	17.45 (.687) 17.45 (.687) 17.45 (.687) 17.45 (.687) 17.45 (.687) 17.45 (.687)	MS35058-22 MS35058-24 MS35058-29 MS35058-25 MS35058-28 MS35058-30	8801K22 8801K23 8813K17 8813K18 8811K18 8811K17
1 1 2 2 2	1 P.D.T.	ON ON ON ON*	OFF NONE NONE OFF	ON ON ON* ON*	B	11.89 (.468) 11.89 (.468) 11.89 (.468) 11.89 (.468) 11.89 (.468)	17.45 (.687) 17.45 (.687) 17.45 (.687) 17.45 (.687) 17.45 (.687)	MS35058-21 MS35058-23 MS35058-26 MS35058-27 MS35058-31	8800K16 8810K15 8804K13 8812K14 8809K16
TWO POLE									
3 3 4 4 4 4	2 P.S.T.	ON ON ON ON NONE OFF	NONE OFF NONE OFF* OFF NONE	OFF NONE OFF* NONE ON* ON*	C	11.89 (.468) 11.89 (.468) 11.89 (.468) 11.89 (.468) 11.89 (.468) 11.89 (.468)	17.45 (.687) 17.45 (.687) 17.45 (.687) 17.45 (.687) 17.45 (.687) 17.45 (.687)	MS35059-22 MS35059-24 MS35059-29 MS35059-25 MS35059-28 MS35059-30	8822K20 8822K21 8828K13 8828K12 8826K14 8826K15
3 3 4 4 4	2 P.D.T.	ON ON ON ON*	OFF NONE NONE OFF	ON ON ON* ON*	D	11.89 (.468) 11.89 (.468) 11.89 (.468) 11.89 (.468) 11.89 (.468)	17.45 (.687) 17.45 (.687) 17.45 (.687) 17.45 (.687) 17.45 (.687)	MS35059-21 MS35059-23 MS35059-26 MS35059-27 MS35059-31	8820K16 8824K14 8830K13 8834K5 8832K6
5 5 5 5 5 5	1 P.3.T in a 2P Base	ON 3 ON 4 ON* 4 ON 4 ON 4 ON* 4	ON 4 ON 4 ON 4 ON 4 ON 4 ON 4	ON 10 ON* 10 ON* 10 ON* 10 ON* 10 ON* 10	See Diagram On Page 4.28	11.89 (.468) 11.89 (.468) 11.89 (.468) 11.89 (.468) 11.89 (.468) 11.89 (.468)	17.45 (.687) 17.45 (.687) 17.45 (.687) 17.45 (.687) 17.45 (.687) 17.45 (.687)	MS25201-4 MS25201-5 MS25201-6 MS25201-7 MS25201-8 MS25201-9	8860K4 8860K5 8860K6 8860K7 12 8860K8 12 8860K9 12
FOUR POLE									
6 6 7 7 7	4 P.S.T.	ON ON ON NONE OFF	NONE OFF OFF* OFF NONE	OFF NONE NONE ON* ON*	E	11.89 (.468) 11.89 (.468) 11.89 (.468) 11.89 (.468) 11.89 (.468)	17.45 (.687) 17.45 (.687) 17.45 (.687) 17.45 (.687) 17.45 (.687)	— MS25068-24 MS25068-25 MS25068-28 —	7660K12 7660K13 7668K7 7666K9 7666K6
6 6 7 7 7	4 P.D.T.	ON ON ON ON*	OFF NONE NONE OFF	ON ON ON* ON*	F	11.89 (.468) 11.89 (.468) 11.89 (.468) 11.89 (.468) 11.89 (.468)	17.45 (.687) 17.45 (.687) 17.45 (.687) 17.45 (.687) 17.45 (.687)	MS25068-21 MS25068-23 MS25068-26 MS25068-27 MS25068-31	7662K7 7664K5 7674K5 7672K5 7670K6

* Momentary Contact.

CURRENT RATINGS

Code From Selection Table	Switch	Type of Operation	CURRENT CAPACITY IN AMPERES PER POLE								
			28V dc			115V ac, 60 Hz			115V ac, 400 Hz		
			Lamp Load	Resistive Load	Inductive Load	Lamp Load	Resistive Load	Inductive Load	Lamp Load	Resistive Load	Inductive Load
1 2	MS35058	Maintained Momentary	7 5	25 20	15 10	— —	10 10	10 7	3 —	10 —	10 —
3 4	MS35059	Maintained Momentary	7 5	20 18	15 10	— —	20 11	— —	4 —	20 —	15 —
5	MS25201	ON-ON-ON	5	18	10	2	11	8	2	11	8
6 7	MS25068	Maintained Momentary	5 4	20 18	12 10	— —	— —	— —	4 2	20 11	15 5

- 3** Across terminals 2-3 and 5-6.
- 4** Across terminals 1-2 and 5-6.
- 10** Across terminals 1-2 and 4-5.
- 11** Across terminals 2-3 and 4-5.
- 12** For "INDEPENDENT ON-ON-ON" circuit arrangement see page 4.28.

DIMENSIONS APPROXIMATE IN MM (INCHES)

ONE POLE MAINTAINED & MOMENTARY ACTION	TWO POLE MAINTAINED ACTION
<p>Keyway 0.76 (.030) Deep 1.52 (.060) Wide</p> <p>15/32-32 Thds.</p> <p>15.75 (.620)</p> <p>28.45 (1.120)</p> <p>26.42 (1.040)</p> <p>#6-32 x 4.57 (.180) Long Pan Head Screws</p>	<p>Keyway 0.76 (.030) Deep 1.52 (.060) Wide</p> <p>15/32-32 Thds.</p> <p>19.05 (.750)</p> <p>33.27 (1.310)</p> <p>26.92 (1.060)</p> <p>#6-32 X 6.35 (.250) Pan Head Screws</p>
TWO POLE MOMENTARY ACTION & 3 "ON" CIRCUITS	FOUR POLE MAINTAINED & MOMENTARY ACTION
<p>Keyway 0.76 (.030) Deep 1.52 (.060) Wide</p> <p>15/32-32 Thds.</p> <p>19.05 (.750)</p> <p>33.27 (1.310)</p> <p>30.48 (1.200)</p> <p>#6-32 X 6.35 (.250) Pan Head Screws</p>	<p>Keyway 0.76 (.030) Deep 1.52 (.060) Wide</p> <p>15/32-32 Thds.</p> <p>36.32 (1.430)</p> <p>33.53 (1.320)</p> <p>31.75 (1.250)</p> <p>#6-32 X 6.35 (.250) Long Pan Head Screws</p>



8858K39
Heavy Duty



8859K44
Heavy Duty



7301K36
Heavy Duty



7310K38
Heavy Duty

2 TOGGLE SWITCHES

Military Purpose Toggle Switches (continued) AC Rated (Heavy Duty) MIL-S-83731 Lever Lock Switches with Lever Seal

AC RATED (HEAVY DUTY) MIL-S-83731 LEVER LOCK SWITCHES SELECTION TABLE (BOLD FACE TYPE INDICATES ITEMS NORMALLY IN DISTRIBUTOR STOCK)

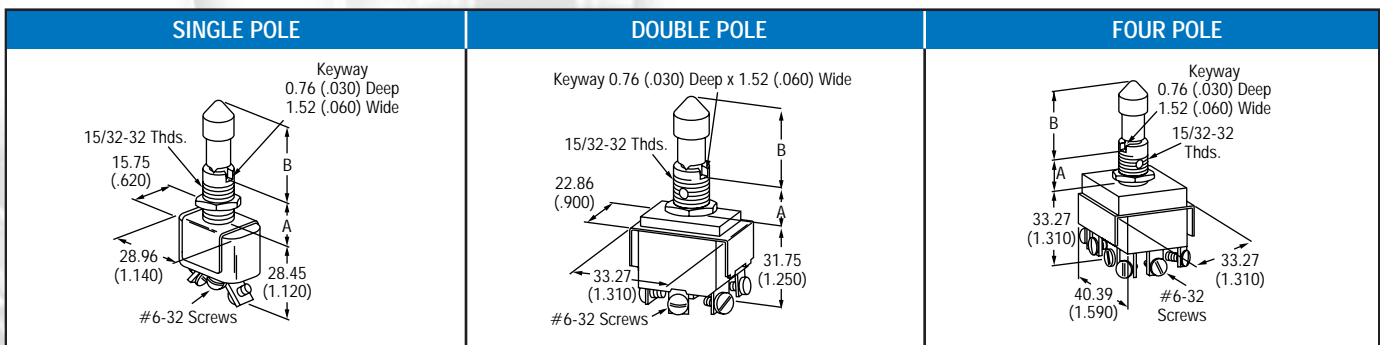
Rating	Poles and Throw	Circuit with Toggle in			BASE CIRCUIT SEE PAGE 4.28	Lever Lock Bushing Style (see below)	Bushing Length "A" mm (inches)	Lever Lock Length "B" mm (inches)	CATALOG NUMBERS	
		UP Position	CENTER Position	DOWN Position (Keyway)					Screw Terminals with Sealed Lever	
									MS Part Number	Catalog Number
ONE POLE		ONE POLE								
1	1 P.S.T.	ON	NONE	←OFF	A	14.27 (.562)	25.40 (1.000)	MS25125-C2	8857K47	
		ON→	NONE	←OFF				MS25125-E2	8857K48	
		ON→	←OFF	NONE				MS25125-J4	8857K49	
1	1 P.D.T.	ON	←OFF→	ON	B	14.27 (.562)	25.40 (1.000)	MS25125-B1	8857K40	
		ON	←OFF→	←ON				MS25125-C3	8857K45	
		ON→	NONE	←ON				MS25125-E3	8857K44	
TWO POLE		TWO POLE								
2	2 P.D.T.	ON→	←OFF→	←ON	C	14.27 (.562)	25.40 (1.000)	MS25126-A1	8858K39	
		ON	←OFF→	ON				MS25126-B1	8858K40	
		ON→	NONE	←ON				MS25126-E3	8858K44	
FOUR POLE		FOUR POLE								
3	4 P.D.T.	ON→	NONE	←ON	F	14.27 (.562)	25.40 (1.000)	MS25127-E3	8859K44	

← Indicates direction against which lever is locked.

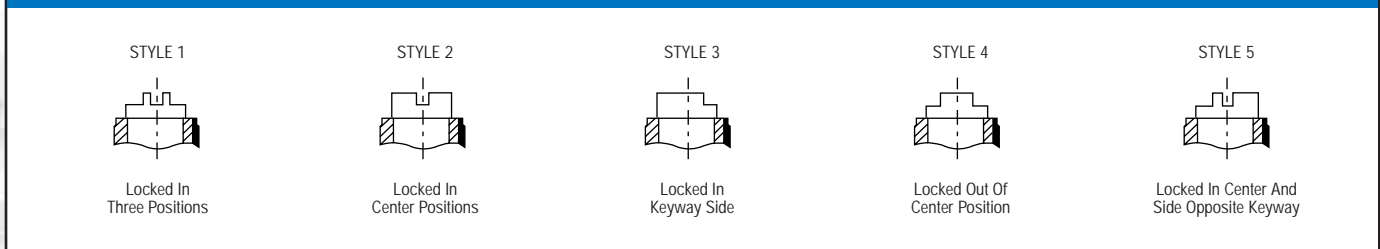
CURRENT RATINGS

Code From Selection Table	Switch	Type of Operation	CURRENT CAPACITY IN AMPERES PER POLE								
			28V dc			115V ac, 60 Hz			115V ac, 400 Hz		
			Lamp Load	Resistive Load	Inductive Load	Lamp Load	Resistive Load	Inductive Load	Lamp Load	Resistive Load	Inductive Load
1	MS25125	Maintained	5	20	15	—	—	—	3	10	10
2	MS25126	Maintained	7	20	15	—	—	—	4	20	15
3	MS25127	Maintained	5	20	15	—	—	—	4	20	15

DIMENSIONS APPROXIMATE IN MM (INCHES)



LEVER LOCK BUSHING STYLES



1 For pictorial representation only — keyway on right hand side.



Military Purpose Toggle Switches (continued)

AC Rated (Heavy Duty) Military (Jan-S-23 Equivalents) with Unsealed Lever

AC RATED (HEAVY DUTY) MILITARY JAN-S-23 EQUIVALENTS SELECTION TABLE (BOLD FACE TYPE INDICATES ITEMS NORMALLY IN DISTRIBUTOR STOCK)

Rating	Poles and Throw	Circuit with Toggle in			BASE CIRCUIT SEE PAGE 4.28	Bushing Length "A" mm (inches)	Bushing Length "B" mm (inches)	CATALOG NUMBERS					
		UP Position	CENTER Position	DOWN Position (Keyway)				Solder Lug Terminals		Screw Terminals			
								Former Jan-S-23 with Unsealed Lever	Catalog Number	Former Jan-S-23 with Unsealed Lever	Catalog Number		
ONE POLE													
1	1 P.S.T.	ON	NONE	OFF	A	11.89 (.468)	17.45 (.688)	ST-42A	7300K38	ST-40A	7300K36		
2		ON	NONE	OFF*				11.89 (.468)	17.45 (.688)	ST-42B	7304K38	ST-40B	7304K36
2		OFF	NONE	ON*				11.89 (.468)	17.45 (.688)	ST-42C	7303K38	ST-40C	7303K36
1	1 P.D.T.	ON	OFF	ON	B	11.89 (.468)	17.45 (.688)	ST-42E	7301K38	ST-40E	7301K36		
1		ON	NONE	ON				11.89 (.468)	17.45 (.688)	ST-42D	7302K38	ST-40D	7302K36
2		ON	NONE	ON*				11.89 (.468)	17.45 (.688)	ST-42F	7307K38	ST-40F	7307K36
2		ON*	OFF	ON*				11.89 (.468)	17.45 (.688)	ST-42G	7306K38	ST-40G	7306K36
2		ON	OFF	ON*				11.89 (.468)	17.45 (.688)	ST-42H	7305K38	ST-40H	7305K36
TWO POLE													
3	2 P.S.T.	ON	NONE	OFF	C	11.89 (.468)	17.45 (.688)	ST-52K	7310K38	ST-50K	7310K36		
4		ON	NONE	OFF*				11.89 (.468)	17.45 (.688)	ST-52L	7314K38	ST-50L	7314K36
4		OFF	NONE	ON*				11.89 (.468)	17.45 (.688)	ST-52M	7313K38	ST-50M	7313K36
3	2 P.D.T.	ON	OFF	ON	D	11.89 (.468)	17.45 (.688)	ST-52P	7311K38	ST-50P	7311K36		
3		ON	NONE	ON				11.89 (.468)	17.45 (.688)	ST-52N	7312K38	ST-50N	7312K36
4		ON	NONE	ON*				11.89 (.468)	17.45 (.688)	ST-52R	7317K38	ST-50R	7317K36
4		ON*	OFF	ON*				11.89 (.468)	17.45 (.688)	ST-52S	7316K38	ST-50S	7316K36
4		ON	OFF	ON*				11.89 (.468)	17.45 (.688)	ST-52T	7315K38	ST-50T	7315K36

* Momentary Contact.

CURRENT RATINGS

Code From Selection Table	Type of Operation	CURRENT CAPACITY IN AMPERES PER POLE								
		30V dc			125V ac, 60 Hz			250V ac, 60 Hz		
		Lamp Load	Resistive Load	Inductive Load	Resistive Load	Inductive Load	Horse Power	Resistive Load	Inductive Load	Horse Power
ONE POLE										
1	Maintained Momentary	5	20	15	15	—	—	6	—	—
2		4	15	10	15	—	—	6	—	—
TWO POLE										
3	Maintained Momentary	7	30	15	25	—	—	9	—	—
4		5	20	10	15	—	—	6	—	—

DIMENSIONS APPROXIMATE IN MM (INCHES)

