

**60W Constant Current LED Driver      LEDWC-060 series**

**FEATURES**

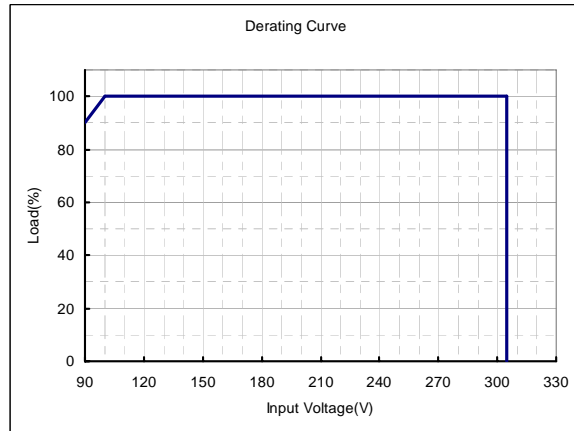
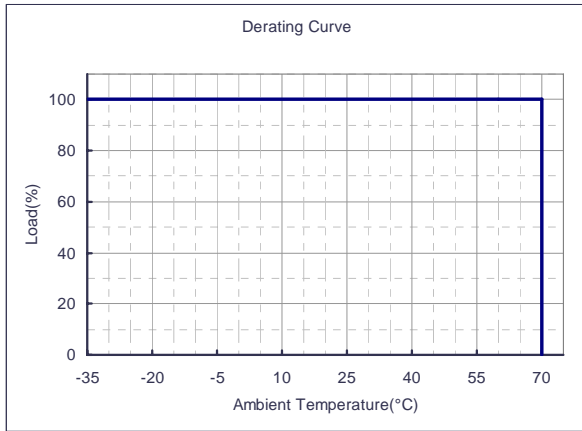
- High Efficiency (Up to 91%)
- Active Power Factor Correction (Up to 0.99)
- Waterproof (IP67)
- Over Voltage, Over Temp. & Short Circuit Protection
- Comply UL8750 & EN61347 Safety Regulations
- Very High MTBF & Life Time



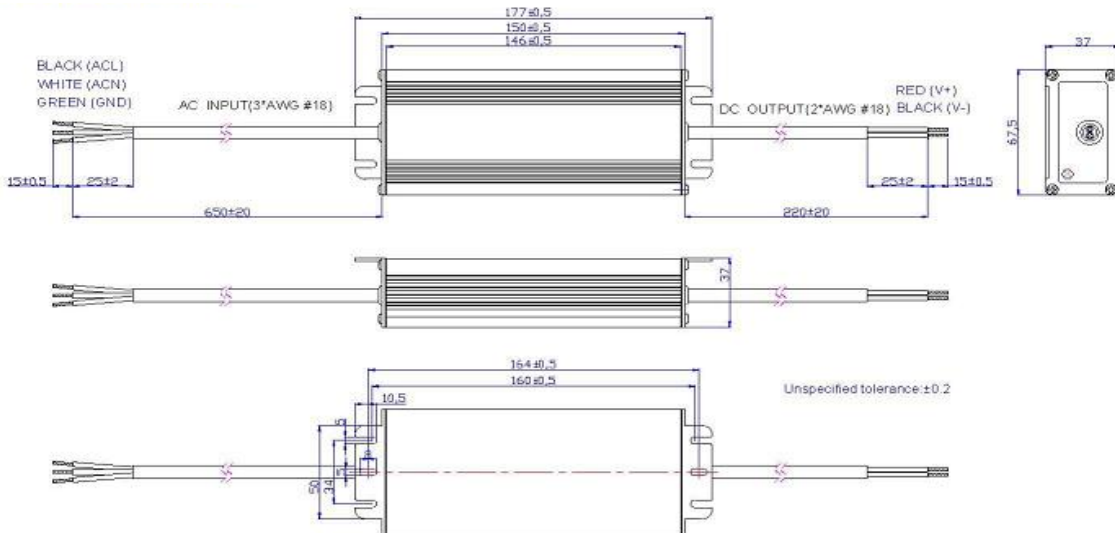
**SPECIFICATION**

Model		LEDWC-060S035ST	LEDWC-060S045ST	LEDWC-060S070ST	LEDWC-060S105ST	LEDWC-060S140ST	LEDWC-060S170ST	LEDWC-060S230ST (7)	LEDWC-060S330ST (7)	LEDWC-060S500ST (7)	
Output	Rated Current (1)	350mA	450mA	700mA	1050mA	1400mA	1700mA	2300mA	3300mA	5000mA	
	Current Range (Min - Max) mA	332 - 368	428 - 472	665 - 735	1000 - 1100	1330 - 1470	1615 - 1785	2185 - 2415	3135 - 3465	4750 - 5250	
	Rated Power	60W	60W	60W	60W	60W	60W	60W	60W	60W	
	Ripple & Noise (max.) (2)	5% Pk -Pk									
	Max. Voltage	170 Vdc	134 Vdc	86 Vdc	58 Vdc	43 Vdc	36 Vdc	27 Vdc	18 Vdc	12 Vdc	
	Voltage Range (Min - Max)	85V - 170V	67V - 134V	43V - 86V	29V - 58V	21V - 43V	18V - 36V	13V - 27V	9V - 18V	6V - 12V	
	Line Regulation	1%									
	Load Regulation	3%									
	Setup, Rise Time	3 S									
	Output Overshoot / Undershoot	10% When Power On or Off									
Input	Voltage Range	90V ~ 305VAC									
	Frequency Range	47Hz / 63Hz									
	Efficiency (Typ.) at 230Vac	91%	91%	91%	90%	90%	90%	89%	88%	87%	
	Inrush Current	65A @ 230VAC Input and 25°C									
Protections	AC Current (Typ.)	0.7 A / 100VAC      0.35A / 220VAC									
	Short Circuit Protection	Protection type : Hiccup mode, recovers automatically after fault condition is removed									
	Over Voltage (Typ.)	195V	145V	92V	65V	50V	42V	35V	23V	15V	
Environmental	Temperature Range	Operational	- 35°C ~ 75°C								
		Storage	- 40 ~ +85°C								
	Humidity	Operational	10 ~ 100% RH								
		Storage	5 ~ 100% R.H								
Safety & EMC	Safety Standards	UL8750 compliance to UL1310 Class 2 UL1012 UL935, CSA-C22.2 (No. 0, No 107.1, No. 250.0)									
	No load Power Dissipation	≤1.0W @ 230 VAC input									
	Withstand Voltage	I/P - O/P: 3KVAC (4242 DC)    I/P - FG: 1.5KVAC (2121 DC)    O/P-FG: 0.5KVAC (707 DC), 1 minute									
	Isolation Resistance	I/P - O/P, I/P - FG, O/P - FG: 100M Ohms / 500VDC									
	EMI Conduction & Radiation	EN55015 with 6db margin									
	Harmonic Current	EN61000-3-2 , EN61000-3-3									
	Leakage Current (Max.)	1 mA @277Vac 50Hz input									
Others	EMS Immunity	EN61000-4-2, EN61000-4-3, EN61000-4-4, EN61000-4-6, EN61000-4-8, EN61000-4-11, EN 61547									
	MTBF (3)	546K HRS Compliance: MIL-HDBK-217F @ 25°C ambient temp.									
	Life Time (3)	80,000 hours @ 45°C ambient temp.									
	Dimension (L*W*H)	150*67.5*37.0 (mm) -5.91*2.66*1.46 (inch)									
Weight	750 g										

### Derating Curves



### Mechanical Specification



PIN ASSIGNMENT		
CONNECTION	AC	DC
	Input	Output
PIN 1	LINE (Black)	+V (Red)
PIN 2	NEUTRAL (White)	-V (Black)
PIN 3	GROUND (Green)	
Connector	Flying lead (stripped and tinned)	

SHIPPING SPECIFICATIONS			
Series	UNITS PER CARTON	CARTON WEIGHT	
LEDWC-060	20.0	22Kg	48.4lbs

OUTER CARTON DIMENSION			
Series	inch	WIDTH	LENGTH
LEDWC-060	24.80	20.47	6.69
	mm	630.0	520.0

Model	LEDWC-060S500ST	LEDWC-060S330ST	LEDWC-060S230ST	LEDWC-060S170ST	LEDWC-060S140ST	LEDWC-060S105ST	LEDWC-060S070ST	LEDWC-060S045ST	LEDWC-060S035ST
Efficiency @ Full Load and 115VAC (min)	83.0%	84.0%	85.0%	86.0%	86.0%	86.0%	87.0%	87.0%	87.0%
Efficiency @ Full Load and 115VAC (typ)	85.0%	86.0%	87.0%	88.0%	88.0%	88.0%	89.0%	89.0%	89.0%
Efficiency @ Full Load and 230VAC (min)	85.0%	86.0%	87.0%	88.0%	88.0%	88.0%	89.0%	89.0%	89.0%
Efficiency @ Full Load and 230VAC (typ)	87.0%	88.0%	89.0%	90.0%	90.0%	90.0%	91.0%	91.0%	91.0%



**NOTES:**

1. Measured at full load, 220VAC input and 25°C ambient temperature.
2. Ripple & noise are measured at 20MHz of bandwidth oscilloscope and the output paralleled a 0.1uf ceramic capacitor & 10 uf electrolytic capacitor.
3. For 2300mA output model, measured at 110VAC input, 80%load and 25°C ambient temperature.
4. All parameters NOT specially mentioned are measured at 220VAC input, rated load and 25°C ambient temperature.
5. Specifications are subject to change without notice. AUTEK cannot be held liable for errors or omissions or the consequences thereof.
6. Class II Output