

## FEATURES

- Active PFC
- CEC IV Efficiency Regulations Compliance
- Cispr 22'B', Vcci'B', Fcc'B' Compliance
- Light Weight: 480g only
- Efficiency 85%
- Over-Voltage Protective Installation
- Short-circuit Protective Installation
- Operating Temperature 0~35°C ( 0~40°C for C Model )
- Over-Current Protective Installation



## SPECIFICATION

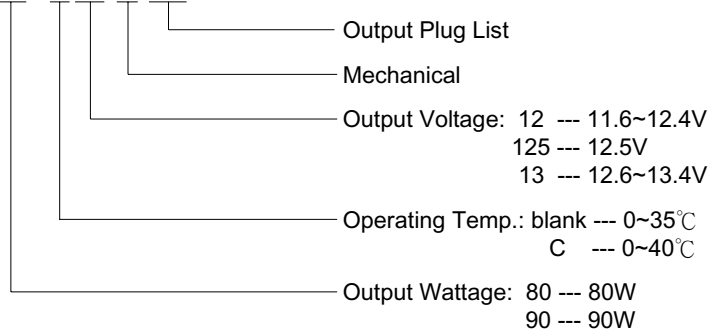
Item \ Model	A7-80S(C)12R	A7-90S(C)18R	*A7-90S(C)48
Output Voltage	12~17V	18~24V	48V
Output Rating	80W Max	90W Max	2.0A
Input Voltage	AC 90~264V		
Input Frequency	47~63Hz		
Input Current	2.0A Maximum		
Inrush Current	100A Maximum		
Line Regulation	2% Maximum		
Load Regulation	±5%		
Ripple & Noise	1.5% Typical		
Efficiency	82~87% Typical		
Temperature Coefficient	0.05%/°C		
Over-Voltage Protection	Auto Recovery		
Short-circuit Protection	Auto Recovery		
Operating Temperature	0~35°C ( 0~40°C for C Model )		
Storage Temperature	-20~85°C		
Safety	UL, CUL, TUV, CB, BSMI, CEC	Pending	
EMC (EMI/EMS)	CE	Pending	

(\*): Under Development (I/P): In Process (Pending): Pending

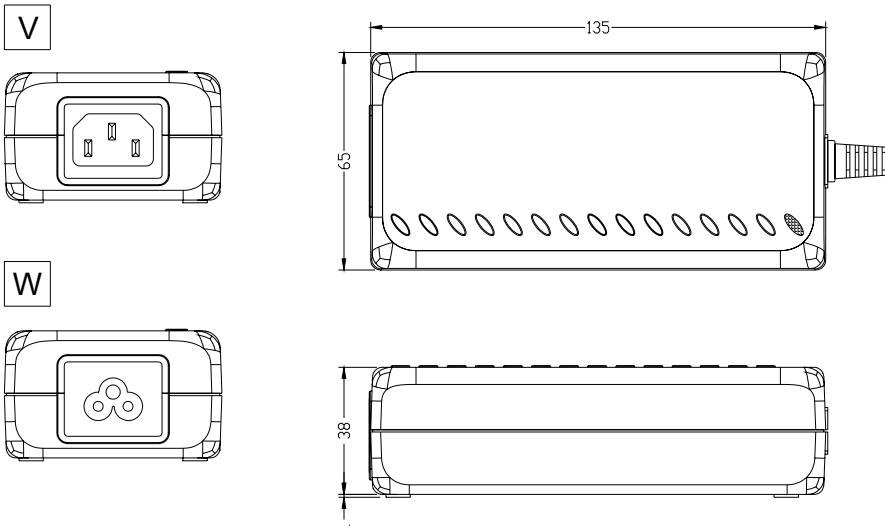
Above specification is for reference only, please contact for details.

## ORDERING INFORMATION

A7-80SC12-V-2A



## MECHANICAL



Unit: m.m.

Standard Output Cable:  
12~14V: 14AWG, UL#1571, 1200mm, EMI Core  
15~24V: 16AWG, UL#1571, 1200mm, EMI Core  
48V: 18AWG, UL#SPT-1, 1200mm, EMI Core

