

**Isolierkörpermaterial**  
 PBT, UL94V-0

**Kontaktmaterial**  
 Phosphorbronze

**Kontaktfläche**  
 Ni, Sn

**Kontaktwiderstand**  
 15mΩ max

**Isolationswiderstand**  
 10000MΩ min

**Strombelastbarkeit**  
 1A

**Betriebstemperatur**  
 -40°C - +105°C

**Betriebsspannung**  
 100V AC

**Prüfspannung**  
 500V AC

**Verpackung**  
 Stangenverpackung

**Insulator material**  
 PBT, UL94V-0

**Contact material**  
 Phosphor bronze

**Plating**  
 Ni, Sn

**Contact resistance**  
 15mΩ max

**Insulation resistance**  
 10000MΩ min

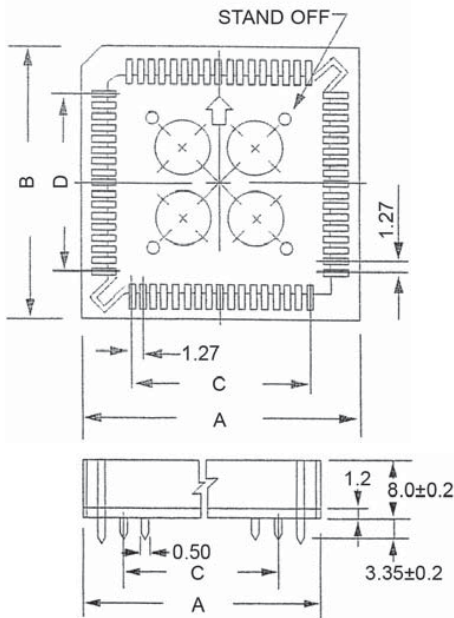
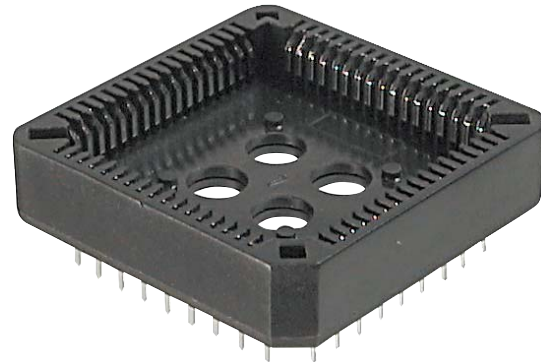
**Current rating**  
 1A

**Operating temperature**  
 -40°C - +105°C

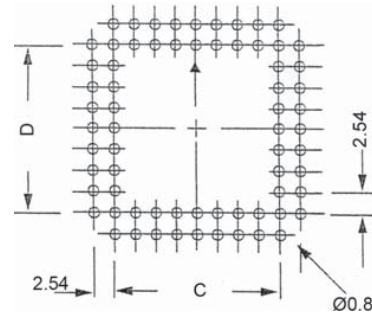
**Operating voltage**  
 100V AC

**Test voltage**  
 500V AC

**Packing**  
 Tube packing



Dimensions			
No. of contacts	A	B	C
20	15.50	15.50	5.08
28	18.05	18.05	7.62
32	18.05	20.60	7.62
44	23.50	23.50	12.70
52	25.88	25.88	15.24
68	31.66	31.66	20.32
84	36.66	36.66	25.40



Bestellcode / Ordercode

Polzahl

20 / 28 / 32 / 44 / 52 / 68 / 84

No. of contacts

20 / 28 / 32 / 44 / 52 / 68 / 84

**A - CCS 0 xx - Z - T**

Bitte „x“ durch die geeignete Option ersetzen  
 Please replace „x“ appropriate option

Cable assemblies

D-Sub / Hoods Centronics

Multiflex - DIN41651

Modular

USB IEEE1394

Switches

Powercords Powerinlets

DIN41612 Hardmetric

MiniDIN

Sockets / Strips Jumper

Terminal Blocks

Memory Card

FFC / FPC