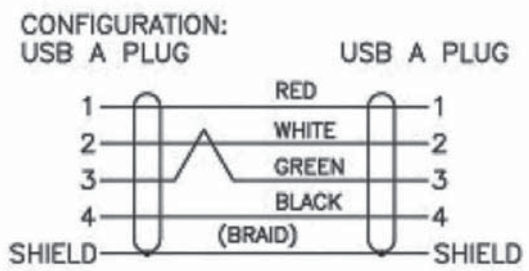
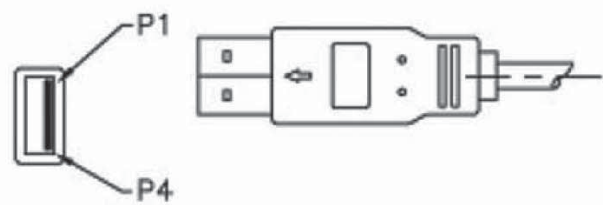
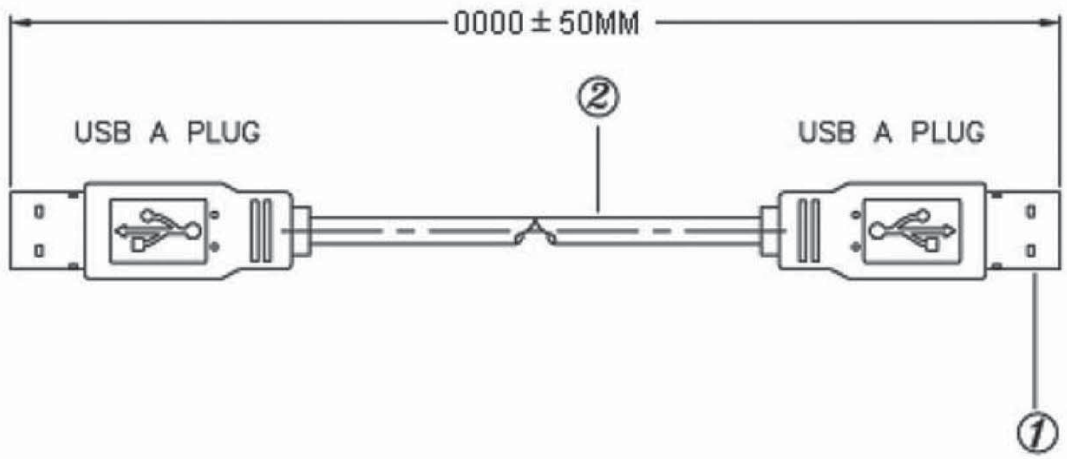


A  
B  
C  
D  
E  
F  
G  
H



**Material:**

- Cable: UL2725, T.C #28(7/0.127)x1Pair(Green, White)+ T.C #24(7/0.2)x2C(Red, Black)+AL/MY+Drain+ 65% Braid, Beige PVC O.D:4.7mm

- Connector: USB A Plug

**Note:**

1. Total Length:0000±50MM
2. Color: Beige
3. Molded Type



Scale	1:1							Name
TOLERANCE								Item No.
X.X	±0.40					Drawn	08.29.11	Chappell
X.XX	±0.25					Approved		
X.XXX	±0.15							Title
Angle	±3°							USB Cable A to A, Version 1.1 & 2.0 USB A Male to A Male
								Drawing No.
								rev00
								Replace
								Sheet



A  
B  
C  
D  
E  
F  
G  
H