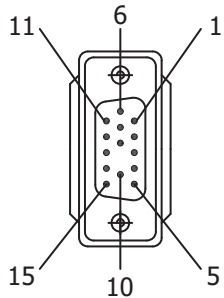
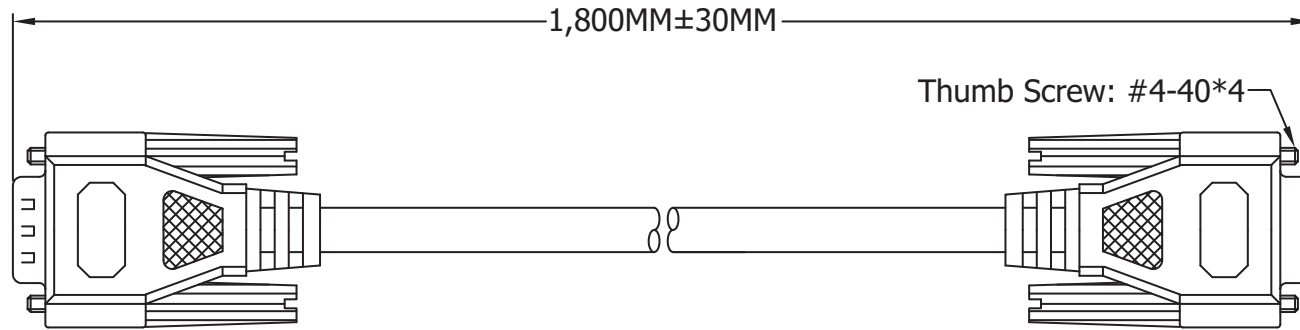


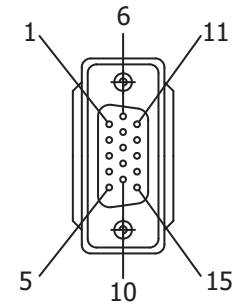
HDB 15 Male
Plastic: Blue



P1

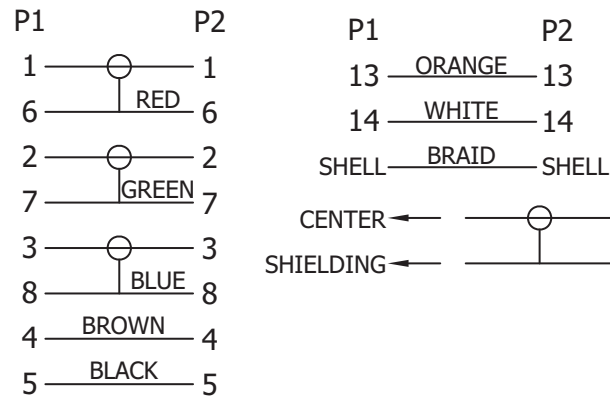


HDB 15 Female
Plastic: Blue



P2

PIN OUT



Material:

- CABLE:28AWG(7/0.127 T.C)*3COAX(75 OHMS)+INSULATION:FO-PE INNER
JACKET:PVC OD:Ø2.5± 0.1mm(UL-1354)+28AWG(7/0.127 T.C)*4C+
INSULATION:SR-PVC ID:Ø0.85± 0.05mm(UL-1061)+AL/MY+DRAIN
WIRE:26AWG(7/0.16 T.C)+BRAID SHIELD(85%)+OUTER JACKET:PVC
COLOR:BEIGE, OD:Ø 8.1± 0.15mm UL-2919
- CONNECTOR:
P1:HDB 15P MALE,GOLD FLASH CONTACT,NICKEL PLATED SHELL
(9TH PIN UNLOAD)
P2:HDB 15P FEMALE,GOLD FLASH CONTACT,NICKEL PLATED SHELL
- SHIELD:COPPER-FOIL 360° SOLDERED TO CONNECTOR SHELL & CABLE BRAID
- HOOD:MOLDED TYPE,PVC 45P,COLOR:BEIGE.
- ELECTRONIC TEST:
<1>.100% OPEN SHORT & MIS WIRE TEST
<2>.CONTACT RESISTANCE 3 OHMS MAX
<3>.INSULATION RESISTANCE 20 M OHMS MIN
- PACKING:SEE P-0039 REV.C PACKING DRAWING
(HANKING SIZE MUST BE SMALLER THAN PACKING)
PACKING TYPE: DB VP4.

Ⓜ = Assmann logo



ITEM NO.

AK3220-1.8-R

TITLE

Premium VGA Monitor extension cable -
HD D-Sub 15-pin Male <=> Female, 1.8 Meters

ASSMANN
Electronics, Inc.

1840 W. Drake Drive, Suite 101 • Tempe, AZ 85283
Toll Free: 1-877-277-6266 • Email: info@usa-assmann.com

THIS DRAWING IS UNPUBLISHED
©Copyright 2010 by Assmann Electronic Components
All International Rights Reserved