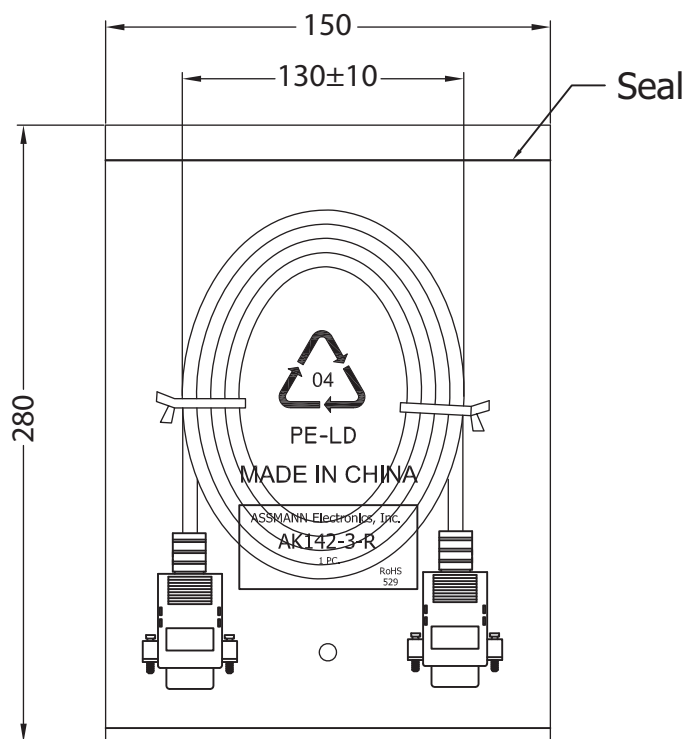


**P1**

**P2**



1PC/PE Bag

PIN ASSIGNMENT		
P1		P2
1	BLACK	4
2	BROWN	3
3	RED	2
4	ORANGE	1
5	YELLOW	5
7	GREEN	8
8	BLUE	7
9	PURPLE	9
SHELL	DRAIN	SHELL

**Material:**

- Cable: NOUL 28AWG\*8C+D+AL  
- OD 5.0MM  
- Beige
- P1 Connector: D-Sub 9-pin Female  
- Solder Type G/F  
- Blue Insulation  
- Shell - Nickel
- P2 Connector: D-Sub 9-pin Male  
- Solder Type G/F  
- Blue Insulation  
- Shell - Nickel
- Screw: #4-40UNC, L=12.5MM, Nickel plated

**Electrical:**

- 100% Open short & mis wire test
- Contact Resistance: 2Ω Max.
- Insulation Resistance: 5MΩ Min.
- Dielectric Test: 300V DC

Unit: MM



ITEM NO.

**AK142-3-R**

TITLE

Null Modem Cable - 3 Meters  
D-Sub 9-pin Male <=> D-Sub 9-pin Female

**ASSMANN**  
Electronics, Inc.

1840 W. Drake Drive, Suite 101 • Tempe, AZ 85283  
Toll Free: 1-877-277-6266 • Email: info@usa-assmann.com

THIS DRAWING IS UNPUBLISHED  
©Copyright 2011 by Assmann Electronic Components  
All International Rights Reserved