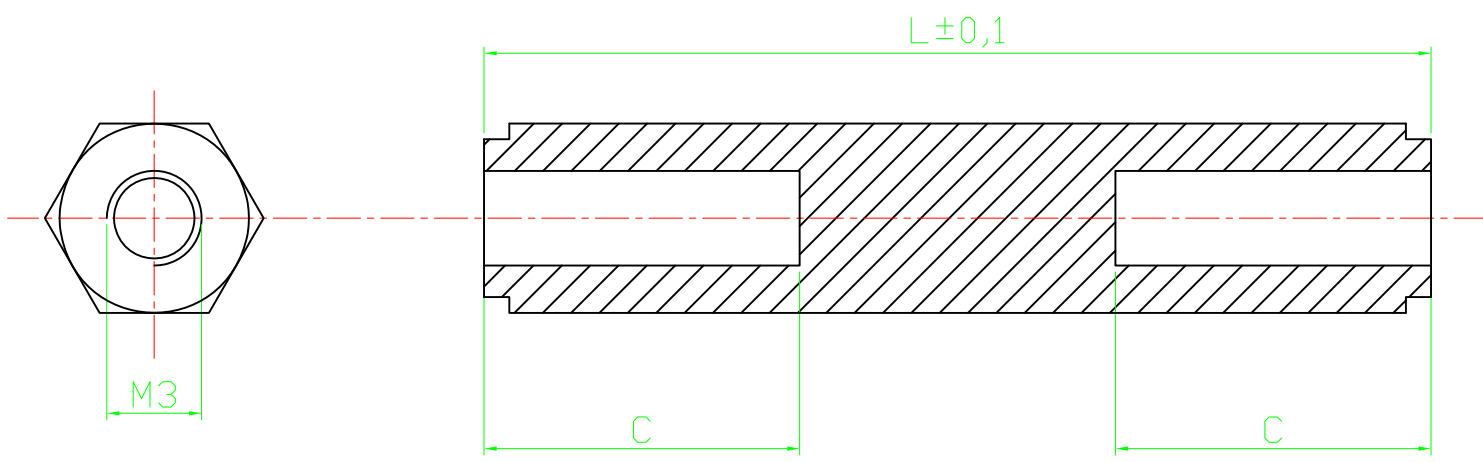


RoHS compliant



Width across flat 6
Internal thread M3
PU=100 pcs

Option	Dimensions	
	L	C
A	10	10
B	12	12
C	15	15
D	20	9.5
E	25	10
F	30	10

Scale	1:1					Date	Name	Customer-No.	
TOLERANCE					Drawn	20.08.2009	Dean	ASSMANN WSW-No. V7759x	
X.	±X				Approved	10.03.2010	Andy		
X.X	±X								
X.XX	±X								
DIM	TOL	②	Modify drawing layout	10.03.2010	Dean			Drawing-No.	
X.°	±X°	①	Drawn	20.08.2009	Dean			ASS 0911 HS	rev02
X.X°	±X°	①	Drawn	20.08.2009	Dean			Replace	Sheet
Angle	TOL	Id.	Modification	Date	Name				



Customer-No.		
ASSMANN WSW-No.	V7759x	
Drawing-No.	ASS 0911 HS	rev02
Replace		Sheet