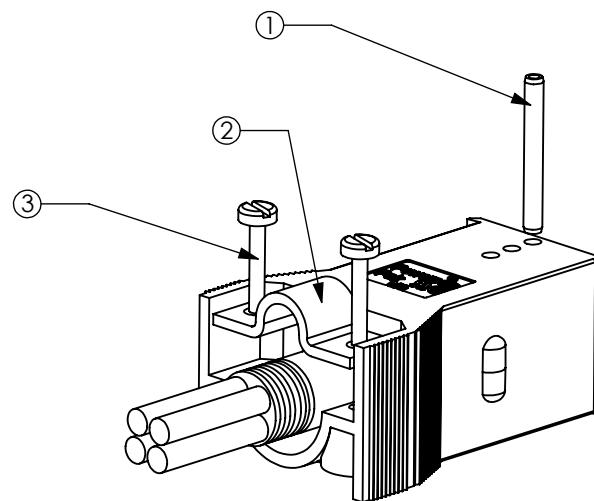
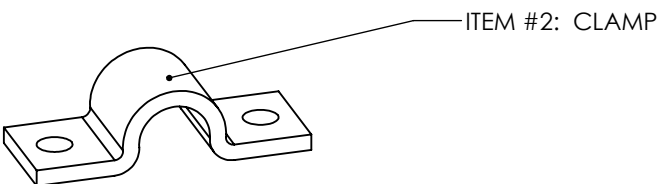
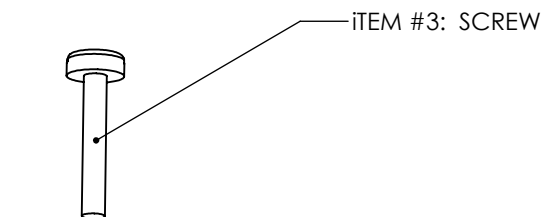
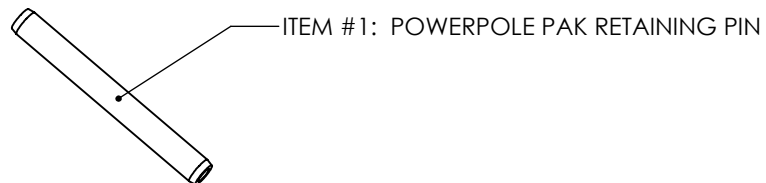


THE INFORMATION CONTAINED IN THIS DRAWING IS THE SOLE PROPERTY OF ANDERSON POWER PRODUCTS. ANY REPRODUCTION IN PART OR WHOLE WITHOUT THE WRITTEN PERMISSION OF ANDERSON POWER PRODUCTS IS PROHIBITED.

**Copyright 2015**

ANDERSON POWER PRODUCTS RESERVES THE RIGHT TO ALTER PRODUCT TYPES, THEIR TECHNICAL DATA, DIMENSION, STYLE AND ACCESSORIES WITHOUT PRIOR NOTIFICATION.



NOTE:  
1. COMPATIBLE WITH PLUG SHELL PART NUMBERS:  
1460G23 AND 1461G23

ITEM	QTY	PART #	DESCRIPTION
1	1	110G9-BK	POWERPOLE PAK-RETAINING PIN
2	1	112019P1	CLAMP
3	2	H1120P39	#4 X 1/2 LONG SELF TAPPING SCREW

DIMENSIONS ARE IN:	INCH [MM]	<b>APPROVALS</b>		<b>ANDERSON POWER PRODUCTS</b> TITLE SALES OUTLINE FOR CABLE CLAMP HDWR BAG 115G7-BK
UNLESS OTHERWISE STATED		DRAWN	TWE 8/24/2015	
TOLERANCES:		CHECKED	CMS 8/25/2015	
DECIMALS (INCH)	DECIMALS (MM)	ANGLES		
.XX ± .02	.X ± .5	±2°		
SURFACE FINISH:		MFG APPRV	CHB 8/25/2015	
MACHINED	128µin [3.2µ]	QC APPRV	UFN 8/25/2015	
MOLDED	64µin [1.6µ]	ENG APPRV	CLY 8/25/2015	
MATERIAL:		SIZE	A	DWG NO.
N/A		REV.	0	115459S1
FINISH:		SCALE	NONE	CADFILE
				04624
				SHEET
				1 OF 1

REV.	DESCRIPTION	APPRV	DATE
REVISIONS			